

Probe and Meter

307263G

EN

For measuring electrical resistivity. For professional use only.

Part No. 722886 Series B, Resistivity Megohm Meter

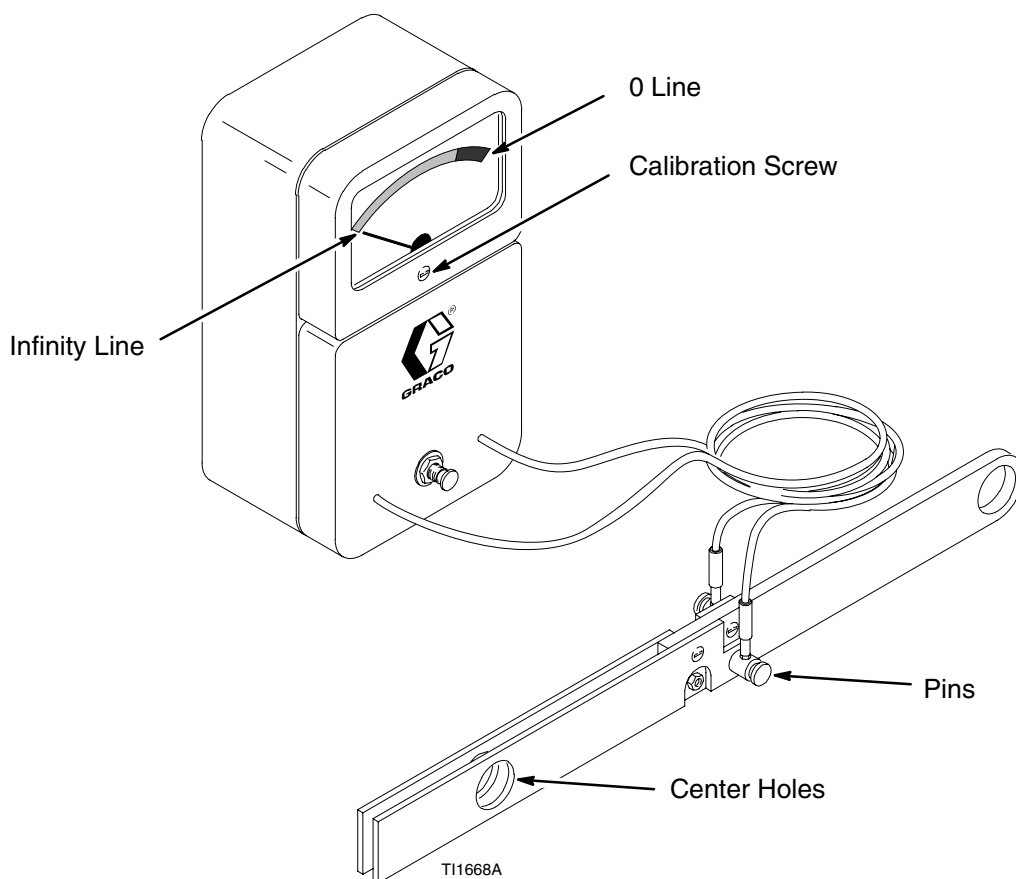
Part No. 722860 Probe



Important Safety Instructions

Read all warnings and instructions in this manual.

Save these instructions.



Operation

WARNING

This meter must not be used in hazardous areas. All flammable material must be kept in approved, grounded containers.

Solvent Balance for Electrostatic Spraying

The Graco meter and probe measures the resistivity of material. The scale on the ohmmeter is expanded in the low range and is color coded for easy reading.

The best electrostatic results are achieved when the resistivity of the material is above 25 megohms per centimeter.

Color Coding of Scale

Materials with resistivity readings in the green band will give the best electrostatic results.

Materials with resistivity readings in the yellow band will give reduced electrostatic performance. The lower the resistivity reading in the yellow band, the lower the electrostatic performance. Materials with resistivity readings in the lower half of the yellow band should be avoided if possible.

Solvent base materials with resistivity readings in the red band will ground out the charging electrode due to current flow through the material column. The electrostatic effect will be reduced to a low level. Water-base materials can be used with Graco water-base conversion kits and accessories regardless of their resistivity reading.

Operation

Connect the red and black leads of the meter through the pins (one to each side of the probe). Submerge the probe into the material to the center holes of the probes. Press the red button on the lower front center of the meter to get a reading.

After obtaining a reading, clean off the probes with compatible solvent.

Meter

Calibration

Turn the calibration screw until the needle is on the infinity line at the left hand side of the scale.

Testing Batteries

Touch the black and red leads together. With button pressed, the needle should travel the length of the scale, moving to the right, stopping at the 0 line.

Replacing Battery (Part No. 113716)

If the needle doesn't move all of the way to the 0 line, replace the battery. Remove the four screws at the front corners of the meter. Carefully lift off the front face of the meter. Remove the old battery, and replace it with the new battery. The battery must be 9V, type 522 EVEREADY or the equivalent.

NOTE: The meter battery terminals are marked Red for Positive and Black for Negative.

Place the front screw back over the meter and replace the four screws.

All written and visual data contained in this document reflects the latest product information available at the time of publication. Graco reserves the right to make changes at any time without notice.

Original instructions. This manual contains English. MM 307263

Graco Headquarters: Minneapolis
International Offices: Belgium, China, Japan, Korea

GRACO INC. AND SUBSIDIARIES • P.O. BOX 1441 • MINNEAPOLIS, MN 55440-1441 • USA

Copyright 1979, Graco Inc. All Graco manufacturing locations are registered to ISO 9001.

www.graco.com

Revised June 2012