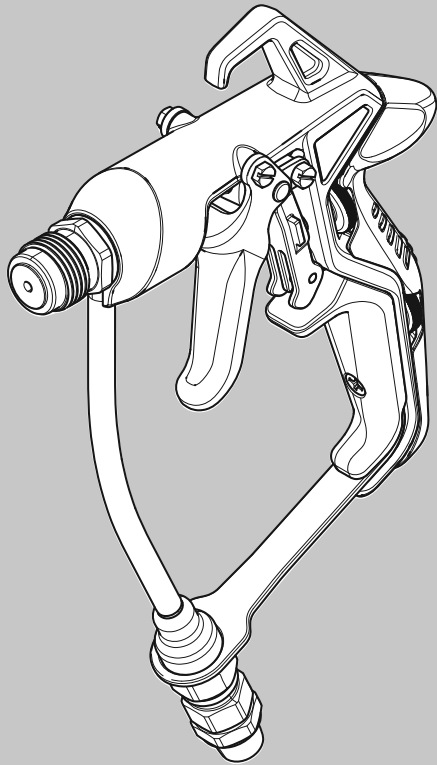
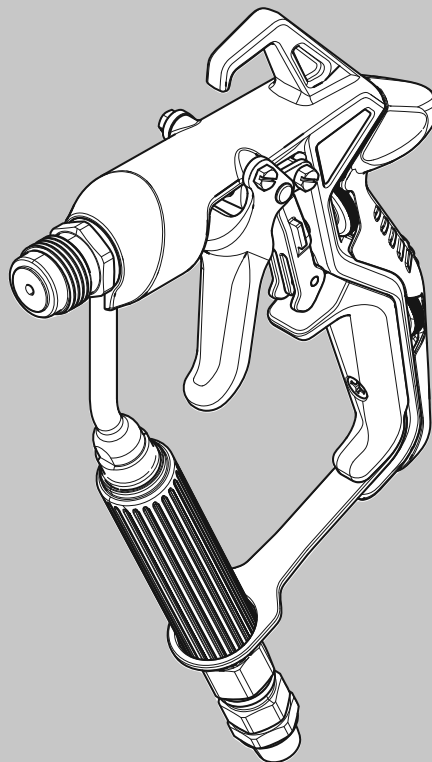


**WAGNER**



**MODEL 0538080**



**MODEL 0538085**

# **INFINITY**



## **AIRLESS SPRAY GUN**

### **OWNER'S MANUAL**

[wagneraustralia.com.au](http://wagneraustralia.com.au)

0817 • Form No. 0538813A

# SAFETY PRECAUTIONS

	Be safety-conscious! All local and national regulations governing ventilation, fire prevention, and operation must be observed.
	<p><b>HAZARD: INJECTION INJURY</b></p> <p>A high pressure stream produced by this equipment can pierce the skin and underlying tissues, leading to serious injury and possible amputation. See a physician immediately.</p> <p>DO NOT TREAT AN INJECTION INJURY AS A SIMPLE CUT! Injection can lead to amputation. See a physician immediately. Inform the physician of the type of coating material or cleaning agent with which the injury was caused.</p> <p>The maximum operating range of the spray gun is 34.5 MPa / 5000 PSI fluid pressure.</p>

- NEVER aim the gun at any part of the body.
- NEVER allow any part of the body to touch the fluid stream. DO NOT allow body to touch a leak in the fluid hose.
- NEVER put hand in front of the gun. Gloves will not provide protection against an injection injury.
- Never point the spray gun at anyone else.
- ALWAYS lock the gun trigger, shut the pump off, and release all pressure before servicing, cleaning the tip or guard, changing tip, or leaving unattended. Pressure will not be released by turning off the motor. The PRIME/SPRAY valve must be turned to PRIME to relieve the pressure. Refer to the Pressure Relief Pressure described in the pump manual.
- ALWAYS keep the tip guard in place while spraying. The tip guard provides some protection but is mainly a warning device.
- ALWAYS remove the spray tip before flushing or cleaning the system.
- The paint hose can develop leaks from wear, kinking and abuse. A leak can inject material into the skin. Inspect the hose before each use.
- NEVER use a spray gun without a trigger lock and trigger guard in place and in good working order.
- All accessories must be rated at or above the maximum operating pressure range of the airless sprayer. This includes spray tips, extensions, and hoses.

**HAZARD: EXPLOSION HAZARD DUE TO INCOMPATIBLE MATERIALS**

Will cause severe injury or property damage.

- Do not use materials containing bleach or chlorine.
- Do not use halogenated hydrocarbon solvents such as bleach, mildewcide, methylene chloride and 1,1,1 - trichloroethane. They are not compatible with aluminum.
- Contact your coating material supplier about the compatibility of material with aluminum.

**HAZARD: GENERAL**

This product can cause severe injury or property damage.

- Read all instructions and safety precautions before operating equipment.
- Never spray near sources of ignition; e.g. open flames, cigarettes — also cigars and pipes are sources of ignition —, sparks, hot wires and hot surfaces, etc.
- Wear respiratory equipment when spraying. The operator must be provided with a protective mask.

In order to prevent work related illness, the manufacturer's regulations for the materials, solvents, and cleaning agents used must be observed when preparing, working with and cleaning the unit. Protective clothing, gloves, eyewear, and, in certain cases, protective skin cream are necessary to protect the skin.

- Follow the coating material and solvent manufacturer's warnings and instructions.
- Extraction equipment should be installed by the user in accordance with local regulations.
- The objects being sprayed must be grounded/earthed.
- Before each use, check all hoses for cuts, leaks, abrasion or bulging of cover. Check for damage or movement of couplings. Immediately replace the hose if any of these conditions exist. Never repair a paint hose. Replace it with another grounded high-pressure hose.
- Pulling the trigger causes a recoil force to the hand that is holding the spray gun. The recoil force of the spray gun is particularly powerful when the tip has been removed and a high pressure has been set on the airless high-pressure pump. Therefore, when cleaning without tip set the pressure control valve to the lowest pressure.

- Use only manufacturer authorized parts. User assumes all risks and liabilities when using parts that do not meet the minimum specifications and safety devices of the spray gun manufacturer.

	<b>EXPLOSION PROTECTION IDENTIFICATION</b>
--	--

### X MARKING:

**The spray gun corresponds with EX II 2G X and is, in accordance with Directive 2014/34/EU, suitable for use in explosion-hazardous areas—as of type Zone 1. Under certain circumstances, the unit itself may cause the Zone 1 condition to be in effect.**

**Any static-electricity discharge from the spray gun is to be diverted to the grounded high-pressure pump via the conductive high-pressure hose as stipulated.**

**The maximum surface temperature corresponds to the permissible material temperature. This and the permissible ambient temperature can be found in the Technical Data.**

To avoid the generation of machine sparks, prevent impact stresses and any work on the unit with tools in the explosion-hazardous area.

### RESIDUAL RISKS

Residual risks are risks, which cannot be excluded, even when equipment is used for the intended purpose.

In such cases the applicable areas of the actual residual risks will be pointed out using warning and/or prohibition signs.

Risk	Source / Cause	Impact	Preventative measures	Can occur during:
Injection injury	Atomized, high pressure stream of fluid	Severe injury or amputation	NEVER aim the gun at any part of the body	Setup, Operation
Explosion or fire	Static electricity or sparks	Severe injury	Use well ventilated area Ground the spray gun	Operation
Hazardous vapors	Hazardous vapors from spray material	Severe injury	Use well ventilated area Use mask	Operation

# TECHNICAL DATA

<b>Max. operating pressure</b>	34.5 MPa (5000 PSI)
<b>Material inlet thread size</b>	M12 x 1.5
<b>Diffuser thread size</b>	7/8 - 14 UN-2A
<b>Wetted parts material</b>	Carbide, high grade stainless steel, PTFE
<b>Operating temperature range</b>	40°F to 104°F (5°C to 40°C)
<b>Maximum material temperature</b>	109°F (43°C)
<b>Maximum sound output</b>	81 dB(A)*
<b>Weight</b>	1.75 lb (0.8 kg) (filtered) 1.5 lb (0.68 kg) (non-filtered)

\* Measurement location: 1.5 ft (0.5 m) away from the coating surface, 1.5 ft (0.5 m) behind the spray gun, spray pressure 34,5 MPa, tip size 0.019.

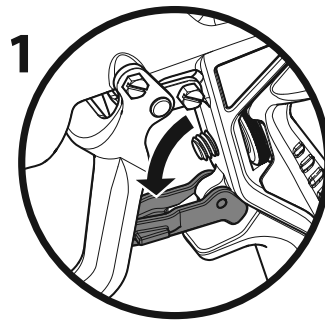
## INTRODUCTION

This airless spray gun is to be used for the high pressure atomization of liquid coating materials.

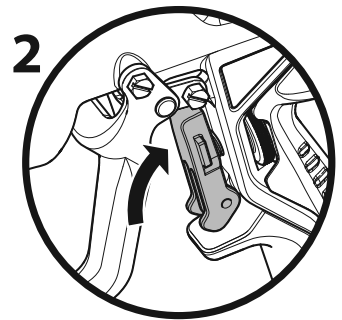
## USING THE GUN TRIGGER LOCK

Always engage the gun's trigger lock when the gun is not in use.

1. To lock the trigger, flip the trigger lock down until it stops in place behind the trigger.
2. To unlock the trigger, flip the trigger lock up until it snaps into place on the gun handle.



Gun locked  
(gun will not spray)



Gun unlocked  
(gun will spray)



NEVER point the spray gun at yourself.

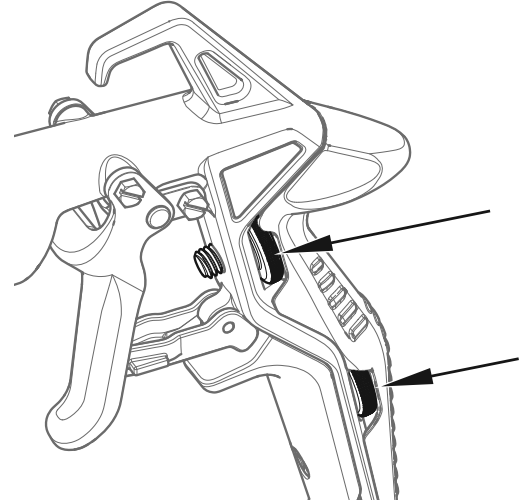
## ADJUSTABLE GRIP



Always lock the spray gun prior to adjusting or changing the grip.

At the time of purchase, the spray gun is equipped with the adjustable grip. A small grip, medium grip and full grip is available for separate purchase.

- To adjust the adjustable grip, turn the dials on the grip to widen (counterclockwise) or narrow (clockwise) the grip. You may need to experiment with the settings in order to find your unique comfort zone.



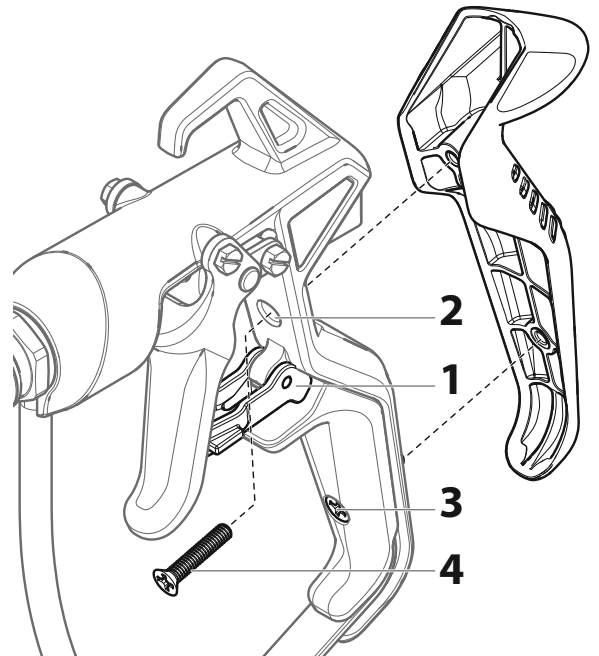
## CHANGING THE GRIP

Follow the steps below to change out the adjustable grip to the medium grip.





Never attempt to change the grip while the gun is in use. Make sure the sprayer is depressurized and completely shut down.

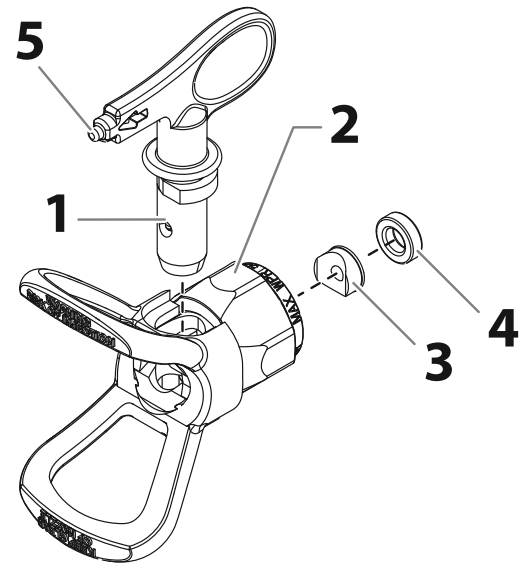
1. Lock the spray gun (flip trigger lock [1] down) in order to expose the hole (2) in the gun manifold.
2. To remove the adjustable grip, turn the adjustment wheels all the way out (counterclockwise) so that the entire grip comes off the gun.
3. Loosen (but do not remove) screw (3) so that the nut on the other side of the handle is removed. Do not lose the nut.
4. Insert the spare screw (4) included with the spray gun into the hole exposed in the previous step.
5. Place the new grip over the rear of the gun manifold. Tighten the screws on the gun handle (3, 4). Do not overtighten.




# SETUP

	Never attempt to assemble, change, or clean the gun, tip, or tip guard without first relieving pressure from the spray system. Follow the "Pressure Relief Procedure" in the sprayer's Owner's Manual.
	Always use a tip safety guard for added protection against injection. Beware that the guard alone will not prevent injection. Never cut off tip guard! Always engage gun trigger lock when the gun is not in use. Before servicing equipment, consult Owner's Manuals and follow all warnings.

1. Set up the sprayer. Refer to the instructions in the sprayer's Owner's Manual.
2. Attach a grounded, airless spray hose to the material inlet on the gun. Using two wrenches (one on the gun and one on the hose), tighten securely.
3. With the tip and tip guard off the gun, start the sprayer. Flush and prepare the spray system according to the sprayer's Owner's Manual. Inspect the spray system to make sure that all fittings are secure and that there are no leaks.
4. Perform the "Pressure Relief Procedure" described in the sprayer's Owner's Manual.
5. Using the end of the spray tip (5), insert the tip seal (3) and seal (4) into the back of the tip guard (2). Press in for final adjustment.
6. Insert the tip (1) into the slot on the tip guard.
7. Thread the tip guard onto the gun. Position the tip guard in the desired spraying position, then tighten securely.



	The arrow on the tip handle should be pointing in the forward direction for spraying.
---	---

## OPERATION

1. Make sure the arrow on the tip handle is pointing in the forward direction for spraying.
2. Start the sprayer. Refer to the instructions in the sprayer's Owner's Manual.
3. Adjust the fluid pressure on the sprayer until the spray is completely atomized. Always spray at the lowest pressure necessary to get the desired results.



The spray tip determines the size of spray pattern and coverage. When more coverage is needed, use a larger tip instead of increasing fluid pressure.

4. To clear a clogged tip:
  - a. Rotate the tip 180° so that the arrow on the tip handle is pointing opposite the spray direction.
  - b. Trigger the gun once so that the pressure can blow the clog out.

## CHANGING A TIP

Tips can be removed and replaced easily without disassembling the gun.



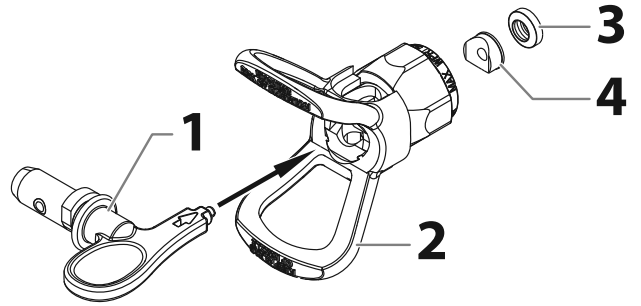
Never attempt to change or clean the tip or tip guard without first performing the "Pressure Relief Procedure."

1. Perform the "Pressure Relief Procedure" described in the sprayer's Owner's Manual.
2. Remove the tip from the slot on the tip guard.
3. Insert the new tip into the slot on the tip guard. The arrow on the tip handle should be pointing in the forward direction for spraying.



## REMOVING THE SEAL AND TIP SEAL

1. Remove the tip (1) from the tip guard (2).
2. Insert the tip handle through the front of the tip guard.
3. Push the tip seal (3) and tip seal retainer (4) out through the back of the tip guard.



## IDENTIFYING TIP SIZES

To identify tip sizes, use the following formula. A "517" tip size will be used in this example.

The first digit multiplied by two represents the size of the spray pattern when spraying 12" away from the work surface:

$$5 \times 2 = 10'' \text{ spray pattern}$$

The second two digits represent the diameter of the orifice on the tip:





$$17 = .017'' \text{ orifice}$$

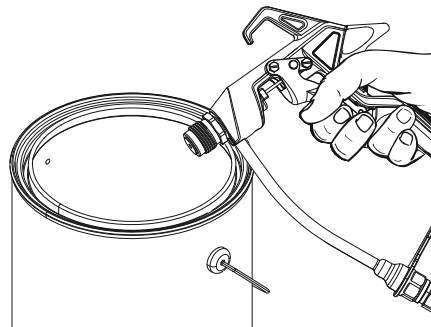


Worn spray tips will adversely affect the spray pattern and result in reduced production, poor finish, and wasted material. Replace worn tips immediately.

# CLEANUP

Maintaining a clean gun and spray tip is important to ensure trouble-free operation. Flush the gun and spray tip after each use and store in a dry location. Do not leave the gun or any of its parts in water or solvents.

	Refer to the sprayer's instruction manual for detailed cleanup instructions.
	<p>Special cleanup instructions for use with flammable solvents:</p> <ul style="list-style-type: none"><li>• Always flush spray gun preferably outside and at least one hose length from spray pump.</li><li>• If collecting flushed solvents in a one gallon metal container, place it into an empty five gallon container, then flush solvents.</li><li>• Area must be free of flammable vapors.</li><li>• Follow all cleanup instructions.</li></ul>
 Attention	The sprayer, hose, gun should be cleaned thoroughly after daily use. Failure to do so permits material to cake, seriously affecting the performance of the unit.
	Always spray at the lowest possible pressure when the tip and tip guard have been removed. To clean the airless gun, hose and spray device, use only water or a suitable solvent. Static electricity buildup may result in a fire or explosion in the presence of flammable vapors. Hold the gun firmly against a metal container while flushing.

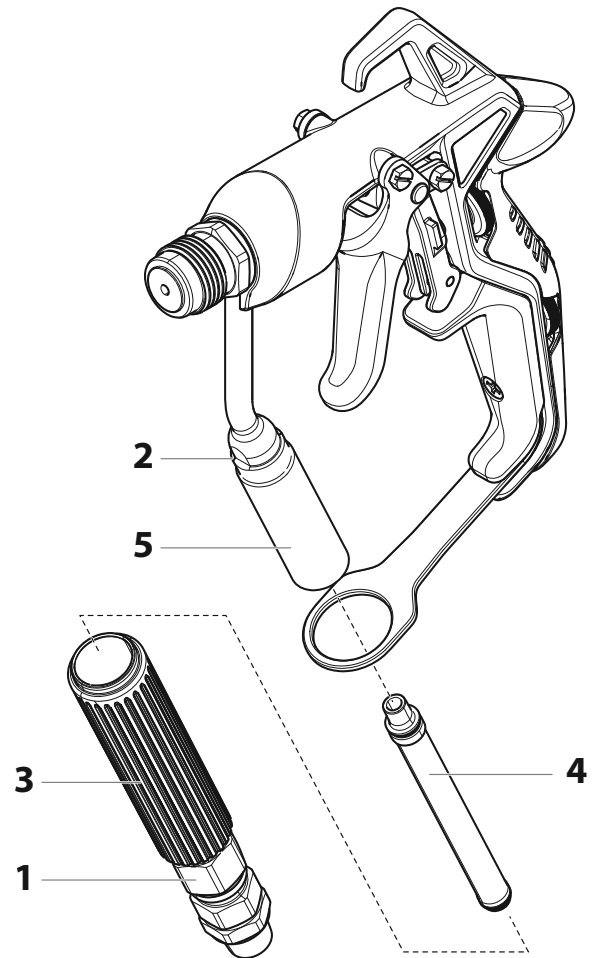


# CLEANING THE FILTER



Follow these steps if your spray gun is equipped with a filter. If you have the version without a filter, disregard these instructions. The gun filter should be cleaned after every use.

1. Perform the "Pressure Relief Procedure" described in the sprayer's Owner's Manual. Make sure the spray gun is locked.
2. Grip the nut (1) just above the swivel with an adjustable wrench.
3. Grip the flats on the fluid tube (2) with a second adjustable wrench.
4. While keeping the fluid tube (2) secure, loosen the nut (1) and remove the filter housing (3).
5. Slide the old filter (4) out of the fluid tube (5). Clean or replace with a new filter.
6. Install a new or cleaned filter by inserting the tapered end into the fluid tube.
7. Replace the filter housing. Grip the flats (2) on the fluid tube with one adjustable wrench, and tighten the nut (1) with the second wrench.



## FILTER CHART

Part Number	Application	Filter Type	Filter Color
0089960	Synthetic resin, enamels, clean varnishes, stains, azures	Extra-fine	Red
0089959	Base coat enamels, primer enamels, fillers, marking paints, textured enamels	Fine	Yellow
0089958	Emulsions, latex paints, acrylic paints	Medium	White
0089957	Filler paints, large area surfaces	Coarse	Green

## **3+2 YEARS GUARANTEE FOR PROFESSIONAL FINISHING**

Wagner professional guarantee

(Status 01.02.2009)

### **1. SCOPE OF GUARANTEE**

All Wagner professional colour application devices (hereafter referred to as products) are carefully inspected, tested and are subject to strict checks under Wagner quality assurance. Wagner exclusively issues extended guarantees to commercial or professional users (hereafter referred to as "customer") who have purchased the product in an authorised specialist shop, and which relate to the products listed for that customer on the Internet under [www.wagner-group.com/profi-guarantee](http://www.wagner-group.com/profi-guarantee).

The buyer's claim for liability for defects from the purchase agreement with the seller as well as statutory rights are not impaired by this guarantee.

We provide a guarantee in that we decide whether to replace or repair the product or individual parts, or take the device back and reimburse the purchase price. The costs for materials and working hours are our responsibility.

Replaced products or parts become our property.

### **2. GUARANTEE PERIOD AND REGISTRATION**

The guarantee period amounts to 36 months. For industrial use or equal wear, such as shift operations in particular, or in the event of rentals it amounts to 12 months.

Systems driven by petrol or air are also guaranteed for a 12 month period.

The guarantee period begins with the day of delivery by the authorised specialist shop. The date on the original purchase document is authoritative.

For all products bought in authorised specialist shops from 01.02.2009 the guarantee period is extended to 24 months providing the buyer of these devices registers in accordance with the following conditions within 4 weeks of the day of delivery by the authorised specialist shop.

Registration can be completed on the Internet under [www.wagner-group.com/profi-guarantee](http://www.wagner-group.com/profi-guarantee). The guarantee certificate is valid as confirmation, as is the original purchase document that carries the date of the purchase. Registration is only possible if the buyer is in agreement with having the data being stored that is entered during registration.

When services are carried out under guarantee the guarantee period for the product is neither extended nor renewed.

Once the guarantee period has expired, claims made against the guarantee or from the guarantee can no longer be enforced.

### **3. HANDLING**

If defects can be seen in the materials, processing or performance of the device during the guarantee period, guarantee claims must be made immediately, or at the latest within a period of 2 weeks.

The authorised specialist shop that delivered the device is entitled to accept guarantee claims. Guarantee claims may also be made to the service centres named in our operating instructions. The product has to be sent without charge or presented together with the original purchase document that includes details of the purchase date and the name of the product. In order to claim for an extension to the guarantee, the guarantee certificate must be included.

The costs as well as the risk of loss or damage to the product in transit or by the centre that accepts the guarantee claims or who delivers the repaired product, are the responsibility of the customer.

### **4. EXCLUSION OF GUARANTEE**

Guarantee claims cannot be considered

- for parts that are subject to wear and tear due to use or other natural wear and tear, as well as defects in the product that are a result of natural wear and tear, or wear and tear due to use. This includes in particular cables, valves, packaging, jets, cylinders, pistons, means-carrying housing components, filters, pipes, seals, rotors, stators, etc. Damage due to wear and tear that is caused in particular by sanded coating materials, such as dispersions, plaster, putty, adhesives, glazes, quartz foundation.
- in the event of errors in devices that are due to non-compliance with the operating instructions, unsuitable or unprofessional use, incorrect assembly and/or commissioning by the buyer or by a third party, or utilisation other than is intended, abnormal ambient conditions, unsuitable coating materials, unsuitable operating conditions, operation with the incorrect mains voltage supply/frequency, over-operation or defective servicing or care and/or cleaning.
- for errors in the device that have been caused by using accessory parts, additional components or spare parts that are not original Wagner parts.
- for products to which modifications or additions have been carried out.
- for products where the serial number has been removed or is illegible
- for products to which attempts at repairs have been carried out by unauthorised persons.
- for products with slight deviations from the target properties, which are negligible with regard to the value and usability of the device.

- for products that have been partially or fully taken apart.

## **5. ADDITIONAL REGULATIONS**

The above guarantees apply exclusively to products that have been bought by authorised specialist shops in the EU, CIS, Australia and are used within the reference country.

If the check shows that the case is not a guarantee case, repairs are carried out at the expense of the buyer.

The above regulations manage the legal relationship to us conclusively. Additional claims, in particular for damages and losses of any type, which occur as a result of the product or its use, are excluded from the product liability act except with regard to the area of application.

Claims for liability for defects to the specialist trader remain unaffected.

German law applies to this guarantee. The contractual language is German. In the event that the meaning of the German and a foreign text of this guarantee deviate from one another, the meaning of the German text has priority.

J. Wagner GmbH

Division Professional Finishing

Otto Lilienthal Strasse 18

88677 Markdorf

Federal Republic of Germany

## **CE Certificate of Conformity**

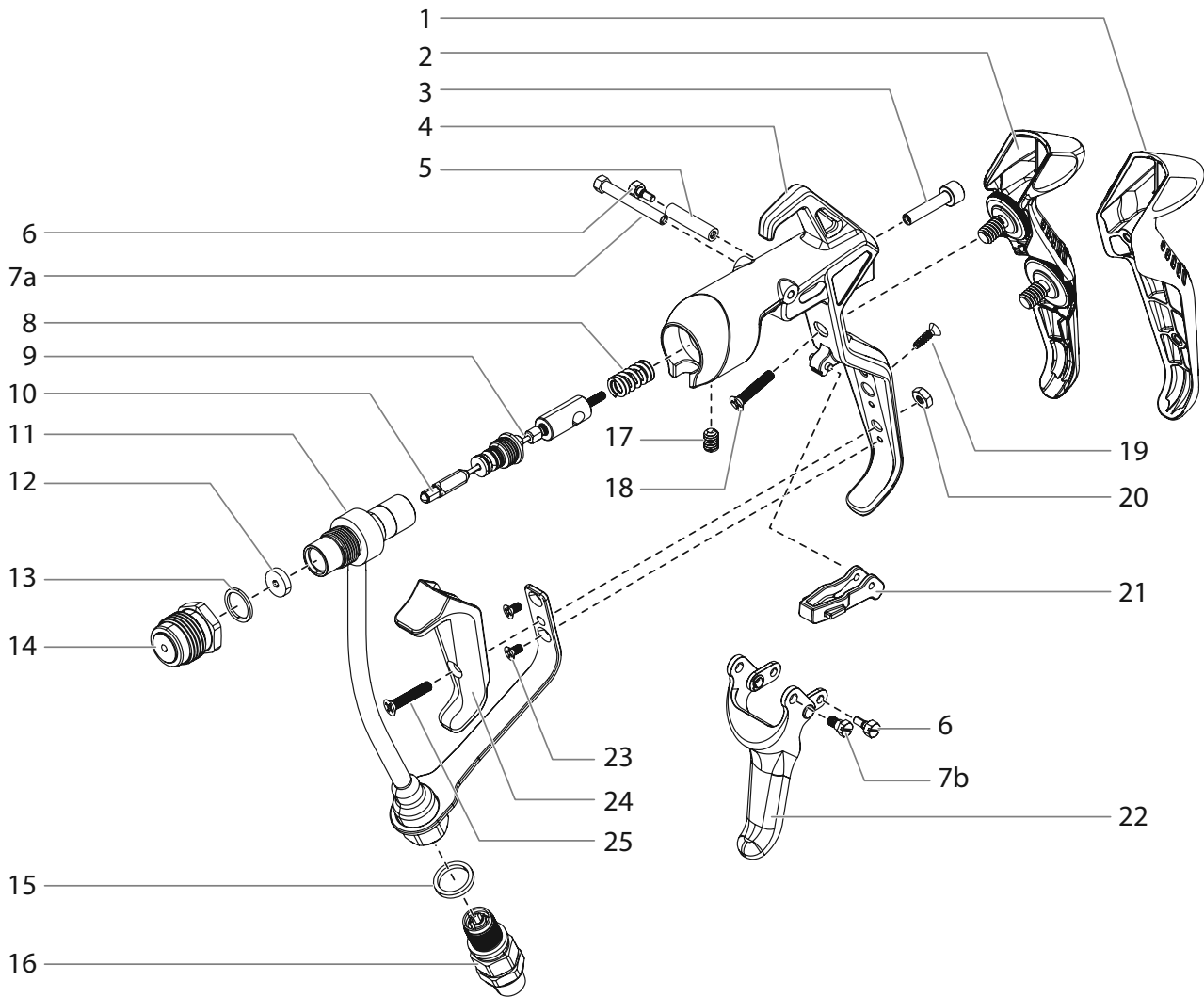
The certificate is enclosed with this product. The certificate of conformity can be reordered from your WAGNER representative, quoting the product and serial number.

Part Number: 2388627

# PARTS LIST • TEILELISTE • LISTE DE PIÈCES •

# LISTA DE PIEZAS • ELENCO COMPONENTI

MODEL 0538080



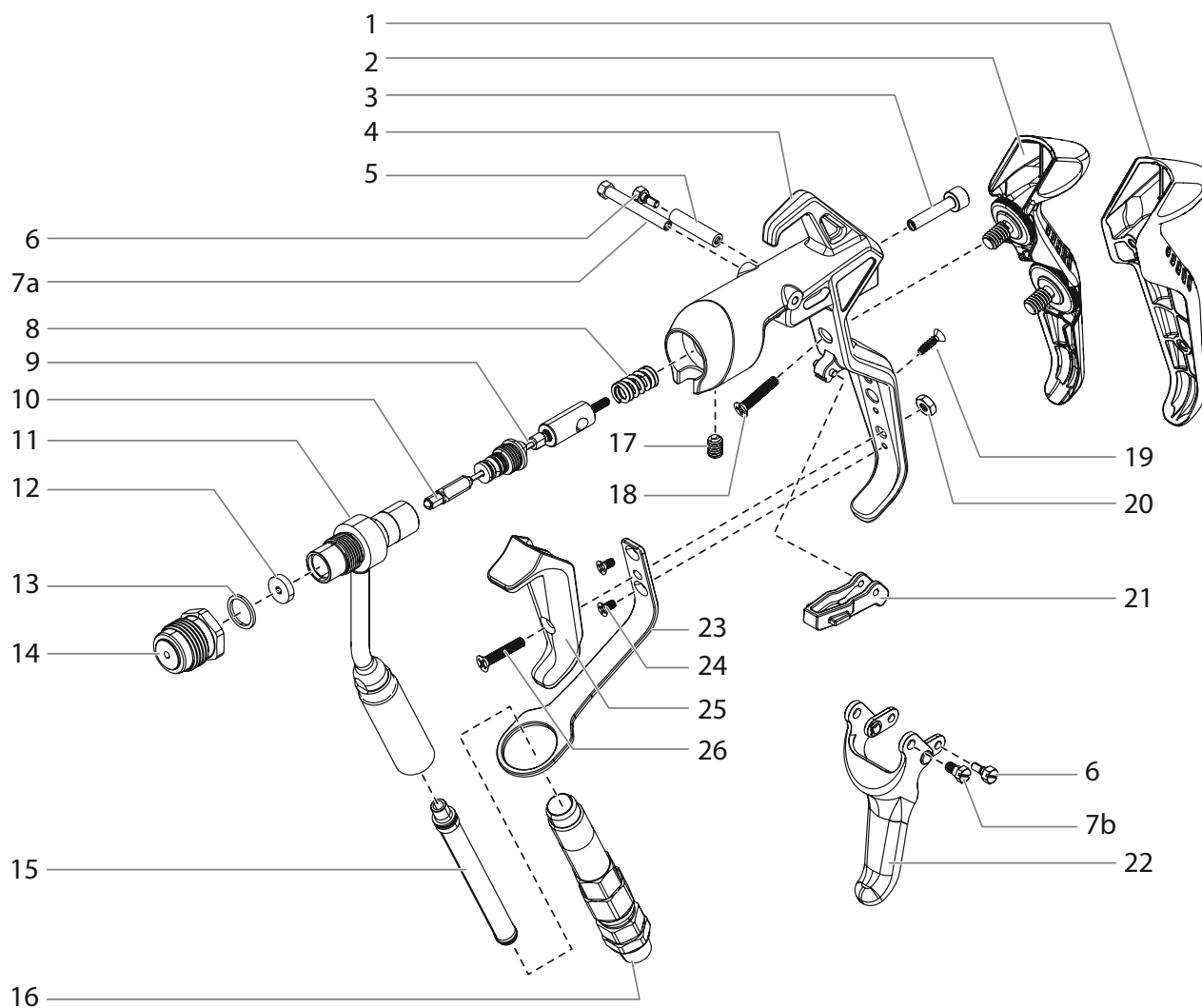
#	Ord. No.	Description	Beschreibung	Description	Descripción	Descrizione
1	0538248	Grip, medium (includes item 18)	Griff, mittel (beinhaltet Artikel 18)	Poignée, moyenne (inclut l'article 18)	Empuñadura, mediana (incluye el elemento 18)	Impugnatura, media (include l'elemento 18)
2	0538249	Grip, adjustable	Griff, einstellbar	Poignée, réglable	Empuñadura, ajustable	Impugnatura, regolabile
3	0538389	Hex screw	Sechskant-schraube	Vis à tête hexagonale	Tornillo hexagonal	Vite a testa esagonale
4	-----	Gun body	Pistolenkörper	Corps du pistolet	Cuerpo de la pistola	Corpo della pistola
5	0538405	Trigger screw, long	Schraube Abzug, lang	Vis de détente, longue	Tornillo del gatillo, largo	Vite del grilletto, lunga
6	0538414	Screw (2)	Schraube (2)	Vis (2)	Tornillo (2)	Vite (2)
7a	0538417	Screw	Schraube	Vis	Tornillo	Vite
7b	0538366	Screw	Schraube	Vis	Tornillo	Vite
8	0538413	Spring	Feder	Ressort	Resorte	Molla

#	Ord. No.	Description	Beschreibung	Description	Descripción	Descrizione
9	0538253	Needle assembly (includes items 3 and 8)	Nadel-Baugruppe (beinhaltet Artikel 3 und 8)	Ensemble de l'aiguille (inclut les articles 3 et 8)	Conjunto de aguja (incluye los elementos 3 y 8)	Assemblaggio della puntina (include gli elementi 3 e 8)
10	0538221	Ball valve kit	Kugelventil-Set	Trousse de soupape à bille	Kit de válvula de bola	Kit per la valvola a sfera
11	0538251	Fluid inlet assembly (includes items 15-16 and 23)	Baugruppe Flüssigkeitseinlass (beinhaltet Artikel 15-16 und 23)	Ensemble de l'orifice d'entrée des liquides (inclut les articles 15, 16 et 23)	Conjunto de entrada de líquido (incluye los elementos 15 a 16 y 23)	Assemblaggio dell'ingresso del fluido (include gli elementi 15, 16 e 23)
12	594-033	Seat	Sitz	Siège	Asiento	Sede
13	594-006	Gasket	Dichtung	Joint d'étanchéité	Junta	Guarnizione
14	0538322	Diffuser	Verteiler	Diffuseur	Difusor	Diffusore
15	0502101	Swivel gasket	Kappendichtung	Joint à cuvette du bouchon de valve	Junta de la pieza giratoria	Guarnizione per lo snodo
16	0538255	Swivel (includes item 15)	Drehgelenk (beinhaltet Artikel 15)	Tourillon (inclut l'article 15)	Pieza giratoria (incluye el elemento 15)	Snodo (include l'elemento 15)
17	710-127	Set screw	Stellschraube	Vis de calage	Tornillo de ajuste	Vite di bloccaggio
18	0538348	Large grip screw	Große Schraube Griff	Grande vis de la poignée	Tornillo de empuñadura grande	Vite per l'impugnatura grande
19	0538392	Screw	Schraube	Vis	Tornillo	Vite
20	0538415	Jam nut	Sechskantmutter	Contre-écrou	Contratuercas	Controdado
21	0538355	Trigger lock	Abzugsverriegelung	Verrou de détente	Seguro del gatillo	Sicura del grilletto
22	0538254	Trigger assembly (includes items 5-7a, 7b)	Baugruppe Auslöser (beinhaltet Artikel 5-7a, 7b)	Ensemble de la détente (inclut les articles 5 à 7a, 7b)	Conjunto de gatillo (incluye los elementos 5 a 7a, 7b)	Assemblaggio del grilletto (include gli elementi 5-7a, 7b)
23	0538391	Screw (2)	Schraube (2)	Vis (2)	Tornillo (2)	Vite (2)
24	0538250	Front grip assembly (includes items 19-20, 25)	Baugruppe Vordergriff (beinhaltet Artikel 19-20, 25)	Ensemble de la poignée avant (inclut les articles 19, 20 et 25)	Conjunto de empuñadura delantera (incluye los elementos 19 a 20, 25)	Assemblaggio dell'impugnatura frontale (include gli elementi 19, 20 e 25)
25	0538348	Screw	Schraube	Vis	Tornillo	Vite
	0538256	Kit, full grip (includes item 18)	Set, großer Griff (beinhaltet Artikel 18)	Kit, grande poignée (inclut le article 18)	Kit, grande empuñadura (incluye el elemento 18)	Kit, piccola grande (include l'elemento 18)
	0538247	Kit, small grip (includes item 18)	Set, kleiner Griff (beinhaltet Artikel 18)	Kit, petite poignée (inclut le article 18)	Kit, pequeño empuñadura (incluye el elemento 18)	Kit, piccola presa (include l'elemento 18)



# PARTS LIST • TEILELISTE • LISTE DE PIÈCES • LISTA DE PIEZAS • ELENCO COMPONENTI

## MODEL 0538085



#	Ord. No.	Description	Beschreibung	Description	Descrpción	Descrizione
1	0538248	Grip, medium (includes item 18)	Griff, mittel (beinhaltet Artikel 18)	Poignée, moyenne (inclut l'article 18)	Empuñadura, mediana (incluye el elemento 18)	Impugnatura, media (include l'elemento 18)
2	0538249	Grip, adjustable	Griff, einstellbar	Poignée, réglable	Empuñadura, ajustable	Impugnatura, regolabile
3	0538389	Hex screw	Sechskant-schraube	Vis à tête hexagonale	Tornillo hexagonal	Vite a testa esagonale
4	-----	Gun body	Pistolenkörper	Corps du pistolet	Cuerpo de la pistola	Corpo della pistola
5	0538405	Trigger screw, long	Schraube Abzug, lang	Vis de détente, longue	Tornillo del gatillo, largo	Vite del grilletto, lunga
6	0538414	Screw (2)	Schraube (2)	Vis (2)	Tornillo (2)	Vite (2)
7a	0538417	Screw	Schraube	Vis	Tornillo	Vite
7b	0538366	Screw	Schraube	Vis	Tornillo	Vite
8	0538413	Spring	Feder	Ressort	Resorte	Molla

#	Ord. No.	Description	Beschreibung	Description	Descripción	Descrizione
9	0538253	Needle assembly (includes items 3 and 8)	Nadel-Baugruppe (beinhaltet Artikel 3 und 8)	Ensemble de l'aiguille (inclut les articles 3 et 8)	Conjunto de aguja (incluye los elementos 3 y 8)	Assemblaggio della puntina (include gli elementi 3 e 8)
10	0538221	Ball valve kit	Kugelventil-Set	Trousse de soupape à bille	Kit de válvula de bola	Kit per la valvola a sfera
11	0538251	Filter inlet assembly (includes item 17)	Baugruppe Filtereinlass (beinhaltet Artikel 17)	Ensemble de l'orifice d'entrée du filtre (inclut l'article 17)	Conjunto de toma de filtro (incluye el elemento 17)	Assemblaggio dell'ingresso del filtro (include l'elemento 17)
12	594-033	Seat	Sitz	Siège	Asiento	Sede
13	594-006	Gasket	Dichtung	Joint d'étanchéité	Junta	Guarnizione
14	0538322	Diffuser	Verteiler	Diffuseur	Difusor	Diffusore
15	581-060	Filter, white	Filter, weiß	Filtre, blanc	Filtro, blanco	Filtro, bianco
16	0538261	Swivel	Drehgelenk	Tourillon	Pieza giratoria	Snodo
17	710-127	Set screw	Stellschraube	Vis de calage	Tornillo de ajuste	Vite di bloccaggio
18	0538348	Full grip screw	Voller Schraube Griff	Grande vis de la poignée	Tornillo de empuñadura grande	Vite per l'impugnatura grande
19	0538392	Screw	Schraube	Vis	Tornillo	Vite
20	0538415	Jam nut	Sechskantmutter	Contre-écrou	Contratuercas	Controdado
21	0538355	Trigger lock	Abzugsverriegelung	Verrou de détente	Seguro del gatillo	Sicura del grilletto
22	0538254	Trigger assembly (includes items 5-7a, 7b)	Baugruppe Auslöser (beinhaltet Artikel 5-7a, 7b)	Ensemble de la détente (inclut les articles 5 à 7a, 7b)	Conjunto de gatillo (incluye los elementos 5 a 7a, 7b)	Assemblaggio del grilletto (include gli elementi 5-7a, 7b)
23	0538409	Bracket	Klammer	Support	Soporte	Supporto
24	0538391	Screw (2)	Schraube (2)	Vis (2)	Tornillo (2)	Vite (2)
25	0538250	Front grip assembly (includes items 19-20, 26)	Baugruppe Vordergriff (beinhaltet Artikel 19-20, 26)	Ensemble de la poignée avant (inclut les articles 19, 20 et 26)	Conjunto de empuñadura delantera (incluye los elementos 19 a 20, 26)	Assemblaggio dell'impugnatura frontale (include gli elementi 19, 20 e 26)
26	0538348	Screw	Schraube	Vis	Tornillo	Vite
	0538256	Kit, full grip (includes item 18)	Set, großer Griff (beinhaltet Artikel 18)	Kit, grande poignée (inclut le article 18)	Kit, grande empuñadura (incluye el elemento 18)	Kit, piccola grande (include l'elemento 18)
	0538247	Kit, small grip (includes item 18)	Set, kleiner Griff (beinhaltet Artikel 18)	Kit, petite poignée (inclut le article 18)	Kit, pequeño empuñadura (incluye el elemento 18)	Kit, piccola presa (include l'elemento 18)

