



SL800/1100 Mustang 11000 Airless Paint Sprayer

3A1184J

EN

For application of architectural paints and coatings. For professional use only. Not approved for use in European explosive atmosphere locations.

3000 psi (20.7MPa, 207 bar) Maximum Working Pressure



Important Safety Instructions

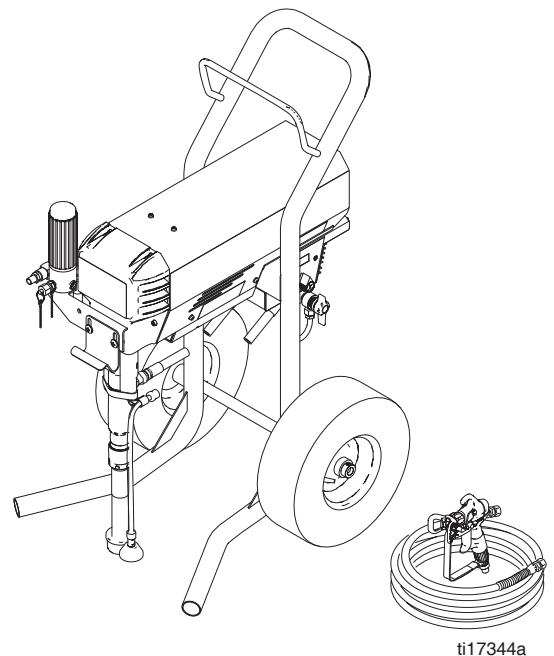
Read all warnings and instructions in this manual. Save these instructions.

Related Manuals



Gun Manual

- 312363 - English
- 312364 - Spanish
- 312365 - French



ti17344a

Model	Part Number	Voltage
Airlessco SL800 Series A	16M376	240V
	16M383	110V
Airlessco SL1100 Series A	16M377	240V
	16M384	110V
	16M394	230V
Airlessco SL1100 Series B	24F572	120V
AllPro Mustang 11000 Series B	24F584	120V
SL1100 Series A	17M006	230V
	17M007	

Warnings

The following warnings are for the setup, use, grounding, maintenance, and repair of this equipment. The exclamation point symbol alerts you to a general warning and the hazard symbols refer to procedure-specific risks. When these symbols appear in the body of this manual or warning labels, refer back to these Warnings. Product-specific hazard symbols and warnings not covered in this section may appear throughout the body of this manual where applicable.

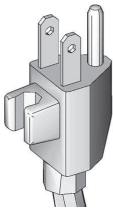
WARNING



GROUNDING

This product must be grounded. In the event of an electrical short circuit, grounding reduces the risk of electric shock by providing an escape wire for the electric current. This product is equipped with a cord having a grounding wire with an appropriate grounding plug. The plug must be plugged into an outlet that is properly installed and grounded in accordance with all local codes and ordinances.

- Improper installation of the grounding plug is able to result in a risk of electric shock.
- When repair or replacement of the cord or plug is required, do not connect the grounding wire to either flat blade terminal.
- The wire with insulation having an outer surface that is green with or without yellow stripes is the grounding wire.
- Check with a qualified electrician or serviceman when the grounding instructions are not completely understood, or when in doubt as to whether the product is properly grounded.
- Do not modify the plug provided; if it does not fit the outlet, have the proper outlet installed by a qualified electrician.
- This product is for use on a nominal 120V circuit and has a grounding plug similar to the plug illustrated in the figure below.





- Only connect the product to an outlet having the same configuration as the plug.
- Do not use an adapter with this product.

Extension Cords:

- Use only a 3-wire extension cord that has a 3-blade grounding plug and a 3-slot receptacle that accepts the plug on the product.
- Make sure your extension cord is not damaged. If an extension cord is necessary, use 12 AWG (2.5 mm²) minimum to carry the current that the product draws.
- An undersized cord results in a drop in line voltage and loss of power and overheating.

! WARNING

	<p>FIRE AND EXPLOSION HAZARD</p> <p>Flammable fumes, such as solvent and paint fumes, in work area can ignite or explode. To help prevent fire and explosion:</p> <ul style="list-style-type: none"> • Do not spray flammable or combustible materials near an open flame or sources of ignition such as cigarettes, motors, and electrical equipment. • Paint or solvent flowing through the equipment is able to result in static electricity. Static electricity creates a risk of fire or explosion in the presence of paint or solvent fumes. All parts of the spray system, including the pump, hose assembly, spray gun, and objects in and around the spray area shall be properly grounded to protect against static discharge and sparks. Use Airlessco conductive or grounded high-pressure airless paint sprayer hoses. • Verify that all containers and collection systems are grounded to prevent static discharge. • Connect to a grounded outlet and use grounded extensions cords. Do not use a 3-to-2 adapter. • Do not use a paint or a solvent containing halogenated hydrocarbons. • Keep spray area well-ventilated. Keep a good supply of fresh air moving through the area. Keep pump assembly in a well ventilated area. Do not spray pump assembly. • Do not smoke in the spray area. • Do not operate light switches, engines, or similar spark producing products in the spray area. • Keep area clean and free of paint or solvent containers, rags, and other flammable materials. • Know the contents of the paints and solvents being sprayed. Read all Material Safety Data Sheets (MSDS) and container labels provided with the paints and solvents. Follow the paint and solvents manufacturer's safety instructions. • Fire extinguisher equipment shall be present and working. • Sprayer generates sparks. When flammable liquid is used in or near the sprayer or for flushing or cleaning, keep sprayer at least 20 feet (6 m) away from explosive vapors.
	<p>ELECTRIC SHOCK HAZARD</p> <p>This equipment must be grounded. Improper grounding, setup, or usage of the system can cause electric shock.</p> <ul style="list-style-type: none"> • Turn off and disconnect power at main switch before disconnecting any cables and before servicing equipment. • Connect only to grounded power source. • All electrical wiring must be done by a qualified electrician and comply with all local codes and regulations.

! WARNING



SKIN INJECTION HAZARD

High-pressure spray is able to inject toxins into the body and cause serious bodily injury. In the event that injection occurs, **get immediate surgical treatment.**

- Do not aim the gun at, or spray any person or animal.
- Keep hands and other body parts away from the discharge. For example, do not try to stop leaks with any part of the body.
- Always use the nozzle tip guard. Do not spray without nozzle tip guard in place.
- Use Airlessco nozzle tips.
- Use caution when cleaning and changing nozzle tips. In the case where the nozzle tip clogs while spraying, follow the **Pressure Relief Procedure** for turning off the unit and relieving the pressure before removing the nozzle tip to clean.
- Do not leave the unit energized or under pressure while unattended. When the unit is not in use, turn off the unit and follow the **Pressure Relief Procedure** for turning off the unit.
- Check hoses and parts for signs of damage. Replace any damaged hoses or parts.
- This system is capable of producing 3000 psi. Use Airlessco replacement parts or accessories that are rated a minimum of 3000 psi.
- Always engage the trigger lock when not spraying. Verify the trigger lock is functioning properly.
- Verify that all connections are secure before operating the unit.
- Know how to stop the unit and bleed pressure quickly. Be thoroughly familiar with the controls.



EQUIPMENT MISUSE HAZARD

Misuse can cause death or serious injury.






- Always wear appropriate gloves, eye protection, and a respirator or mask when painting.
- Do not operate or spray near children. Keep children away from equipment at all times.
- Do not overreach or stand on an unstable support. Keep effective footing and balance at all times.
- Stay alert and watch what you are doing.
- Do not leave the unit energized or under pressure while unattended. When the unit is not in use, turn off the unit and follow the **Pressure Relief Procedure** for turning off the unit.
- Do not operate the unit when fatigued or under the influence of drugs or alcohol.
- Do not kink or over-bend the hose.
- Do not expose the hose to temperatures or to pressures in excess of those specified by Airlessco.
- Do not use the hose as a strength member to pull or lift the equipment.



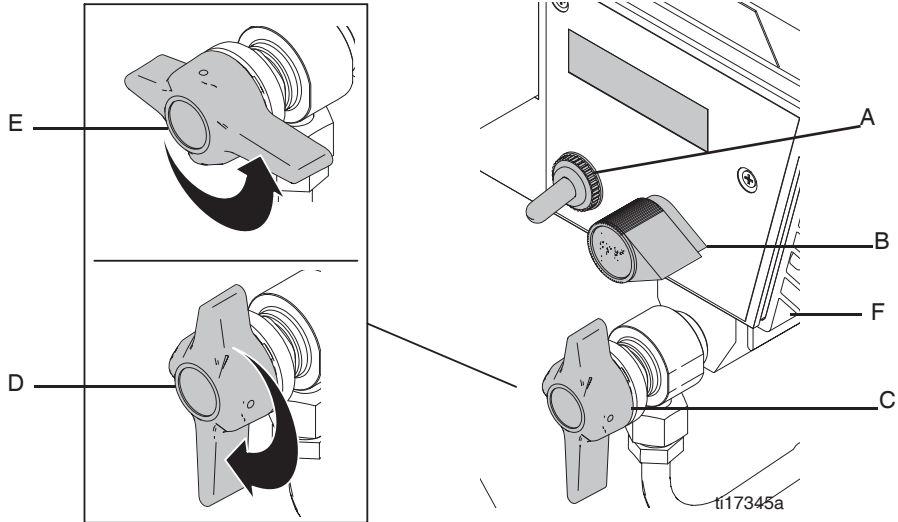
PRESSURIZED ALUMINUM PARTS HAZARD

Use of fluids that are incompatible with aluminum in pressurized equipment can cause serious chemical reaction and equipment rupture. Failure to follow this warning can result in death, serious injury, or property damage.

- Do not use 1,1,1-trichloroethane, methylene chloride, other halogenated hydrocarbon solvents or fluids containing such solvents.
- Many other fluids may contain chemicals that can react with aluminum. Contact your material supplier for compatibility.

 WARNING	
 	<p>MOVING PARTS HAZARD Moving parts can pinch, cut or amputate fingers and other body parts.</p> <ul style="list-style-type: none"> • Keep clear of moving parts. • Do not operate equipment with protective guards or covers removed. • Pressurized equipment can start without warning. Before checking, moving, or servicing equipment, follow the Pressure Relief Procedure and disconnect all power sources.
	<p>TOXIC FLUID OR FUMES HAZARD Toxic fluids or fumes can cause serious injury or death if splashed in the eyes or on skin, inhaled, or swallowed.</p> <ul style="list-style-type: none"> • Read MSDSs to know the specific hazards of the fluids you are using. • Store hazardous fluid in approved containers, and dispose of it according to applicable guidelines.
	<p>PERSONAL PROTECTIVE EQUIPMENT You must wear appropriate protective equipment when operating, servicing, or when in the operating area of the equipment to help protect you from serious injury, including eye injury, hearing loss, inhalation of toxic fumes, and burns. This equipment includes but is not limited to:</p> <ul style="list-style-type: none"> • Protective eyewear, and hearing protection. • Respirators, protective clothing, and gloves as recommended by the fluid and solvent manufacturer.
	<p>CALIFORNIA PROPOSITION 65 The engine exhaust from this product contains a chemical known to the State of California to cause cancer, birth defects or other reproductive harm.</p>

Component Identification



A	Power switch	Turns sprayer ON and OFF
B	Pressure Control Knob	Adjusts pressure. Turn clockwise to increase pressure and counterclockwise to decrease pressure.
C	Drain Valve	Primes pump and relieves pressure from gun, hose and tip.
D	Drain Valve Open Position	Relieves pressure from gun, hose and tip and primes the unit when in the open position. Valve is in open position when there is a wider gap between valve handle and cam body. Refer to Pressure Relief Procedure page 7
E	Drain Valve Closed Position	Pressurizes system when closed. Valve is in closed position when there is a slight gap between valve handle and cam body.
F	Heatsink	

Operation

Pressure Relief Procedure

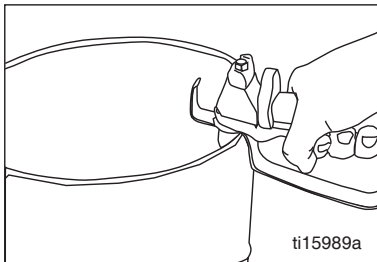


Follow the Pressure Relief Procedure whenever you see this symbol.

<p>This equipment stays pressurized until pressure is manually relieved. To help prevent serious injury from pressurized fluid, such as skin injection, splashing fluid and moving parts, follow the Pressure Relief Procedure when you stop spraying and before cleaning, checking, or servicing the equipment.</p>					

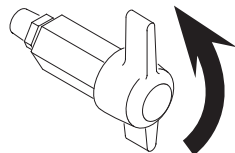
1. Engage the gun trigger lock. Refer to the separate instruction manual provided with gun for safety features and how to engage the trigger lock.
2. Turn the unit off.
3. Disengage the gun trigger lock and trigger the gun to relieve residual fluid pressure.

Hold metal part of the gun in contact with grounded metal pail. Use minimum pressure.



ti15989a

4. Turn Prime/Pressure Relief Valve (PR Valve) to the open (priming) position to relieve residual pressure.

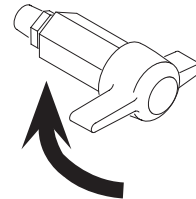


ti14791a

There will be a wider gap between valve handle and cam body when in open position. In the closed position there is only a very slight gap.

NOTE: The valve handle can move both clockwise and counter clockwise and can face different directions.

5. Re-engage gun trigger lock and close Prime/Pressure Relief Valve.



ti14790a

If the **spray tip or hose is clogged**, follow Steps 1 through 5 above. Expect paint to splash into the bucket while relieving pressure during Step 4.

NOTE: If you suspect that pressure hasn't been relieved due to damaged Prime/Pressure Relief Valve, or other reason, slowly loosen the tip nut or hose coupling to relieve pressure.

Setup

<ul style="list-style-type: none"> • To reduce the risk of static sparking, fire or explosion which can result in serious bodily injury and property damage, always ground the sprayer and system components and the object being sprayed, as instructed in the safety warning section of this manual. • Ensure proper electrical service and amperage and that the outlet is properly grounded. • For generator power, a minimum 7000 watt generator with a voltage regulation must be used. 						

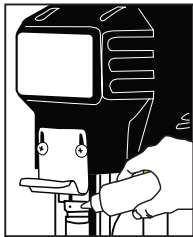
Connect the hose and gun

1. Remove the plastic cap plug from the outlet and screw a conductive or grounded 3000 psi spray hose onto fluid outlet.
2. Connect an airless spray gun to the other end of the hose. Do not install spray tip.

NOTE: Do not use thread sealer on swivel unions as they are made to self seal.

Fill the Packing Nut/Wet Cup

1. Fill the Packing Nut/Wet Cup with 5 drops of Airlessco Throat Seal Oil (TSO).



ti15987a

Flush the Sprayer

1. Flush the sprayer. See **Flushing Procedure** on page 8.

Prime and Flush Storage Fluid

NOTICE

The equipment was tested with lightweight oil, which is left in the fluid passages to protect parts. To avoid contaminating your fluid with oil, flush the equipment with a compatible solvent before using the equipment for the first time.

Before beginning a new spraying project you need to prime the sprayer and flush the storage fluid out of the sprayer.

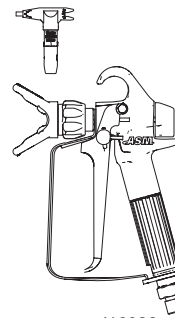
Oil- or Water-based Materials

- When changing from water-based material to oil based material, flush with soapy water and then mineral spirits.
- When changing from oil based material to water base material, flush with mineral spirits, followed by soapy water, then a clean water flush.
- When flushing with solvents, ground pail and gun.
- Flush before changing colors, before fluid can dry in the equipment, at the end of the day, before storing, and before repairing equipment.

Flushing

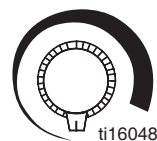
<ul style="list-style-type: none"> • To reduce the risk of static sparking, which can cause fire or explosion, always hold a metal part of the gun firmly against the metal pail when flushing. This also reduces splashing. • Always remove the spray tip before flushing. 						

1. Make sure the gun trigger lock is engaged and there is no spray tip in the gun. Refer to the separate instruction manual provided with gun for safety features and how to engage the trigger lock.



ti16028a

2. Pour enough clean, compatible solvent into a large, empty metal pail to fill the pump and hoses.
3. Place the suction tube into the pail or place the pail under the pump.
4. Turn Pressure Control Knob to low.



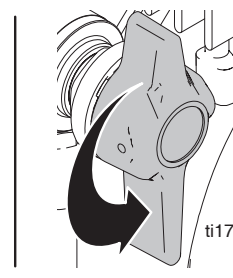
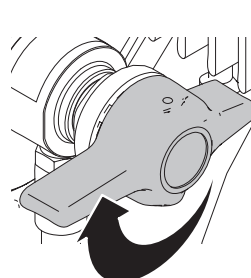
High Pressure

ti16048a

5. Open the prime valve to the open - "Priming Position". This will allow an easy start.

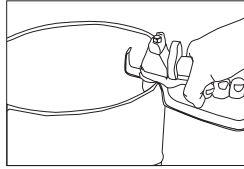
Closed
(Pressure)

Open
(Priming & Pressure Relief)



ti17403a

6. Turn the engine ON/OFF switch to ON.
7. Point the gun into the metal pail and hold a metal part of the gun firmly against the pail. Maintain firm metal to metal contact between gun and container.



ti15989a

8. Disengage the gun trigger lock and squeeze the trigger. At the same time, slowly turn the pressure control knob clockwise, just enough to move liquid at low pressure.
9. Allow the pump to operate until clean solvent comes from the gun.
10. Release the trigger and engage the gun trigger lock.
11. If you are going to start spraying, place the pump or suction tube into the supply container. Release the gun trigger lock and trigger the gun into another empty, metal container, holding a metal part of the gun firmly against the metal pail, forcing the solvent from the pump and hose. When paint starts coming from gun, turn pressure control knob to minimum pressure, place prime valve in prime (open) position and engage the gun trigger lock.
12. If you are going to store the sprayer, remove the suction tube or pump from the solvent pail, force the solvent from the pump and hose. Engage the gun trigger lock. See **Storage**, 10.
13. Whenever shutting down the sprayer, follow **Pressure Relief Procedure**, page 7.

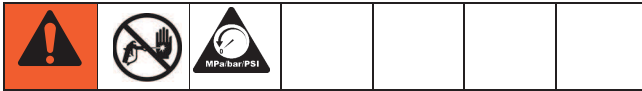
NOTICE

To prevent damage and freezing during storage, never leave water in the fluid pump

Startup

1. Prepare the material according to the material manufacturer's recommendations.
2. Place the suction tube into the material container.
3. Start the sprayer.
 - a. Prime/PR Valve must be "OPEN" in the priming position.
 - b. After ensuring the gun trigger lock is engaged, attach tip and safety guard.
 - c. Turn the engine ON/OFF switch to the "ON" position.
 - d. Turn the Pressure Control Knob clockwise to prime the pump.
 - e. After the pump is primed, turn the Prime/PR Valve to the "CLOSED" position.
 - f. Turn Pressure Control Knob to the desired spray pressure.
 - g. Disengage the gun trigger lock to begin spraying.

Adjusting the Pressure



- To reduce the risk of injection, never hold your hand, body, fingers or hand in a rag in front of the spray tip when cleaning or checking for a cleared tip. Always point the gun toward the ground or into a waste container when checking to see if the tip is cleared or when using a self cleaning tip.
- When you spray into the paint bucket, always use the lowest spray pressure and maintain firm metal to metal contact between the gun and container.
- To stop the unit in an emergency, turn the engine off. Then relieve the fluid pressure in the pump and hose. See **Pressure Relief Procedure**, page 7

When adjusting the pressure, turn the Pressure Control Knob clockwise to increase pressure and counterclockwise to decrease pressure. Always use the lowest pressure necessary to completely atomize the material. If more coverage is needed, use a larger tip rather than increasing the pressure.

NOTE: Operating the sprayer at higher pressure than needed wastes material, causes early tip wear, and shortens sprayer life.

NOTE: Check the spray pattern. The tip size and angle determines the pattern width and flow rate.

Shutdown

1. **Relieve Pressure**, page 7.
2. Clean the tip and gun as recommended in the separate Gun Manual supplied with the gun.
3. If spraying water-based material or a material that could harden in the sprayer overnight, flush the sprayer after use. See **Flushing**, page 8.

Storage

Short Term

1. Flush sprayer with compatible solvent before storing, then fill the pump and hoses with an oil based solvent such as mineral spirits or Graco or Airlessco Pump Armor.
 - For oil base paint: flush with mineral spirits
 - For water-base paint: flush with water, then mineral spirits and leave the pump, hose and gun filled with mineral spirits.

Long Term

For longer storage, use Graco or Airlessco Pump Armor. Shut off sprayer, **Relieve Pressure**, page 7, and make sure prime valve is left open.

Start Up After Storage

Before using water-base paint, flush sprayer with soapy water and then a clean water flush. When using oil-base paint, flush out the mineral spirits with the material to be sprayed.

NOTE: Always store unit indoors.

Maintenance

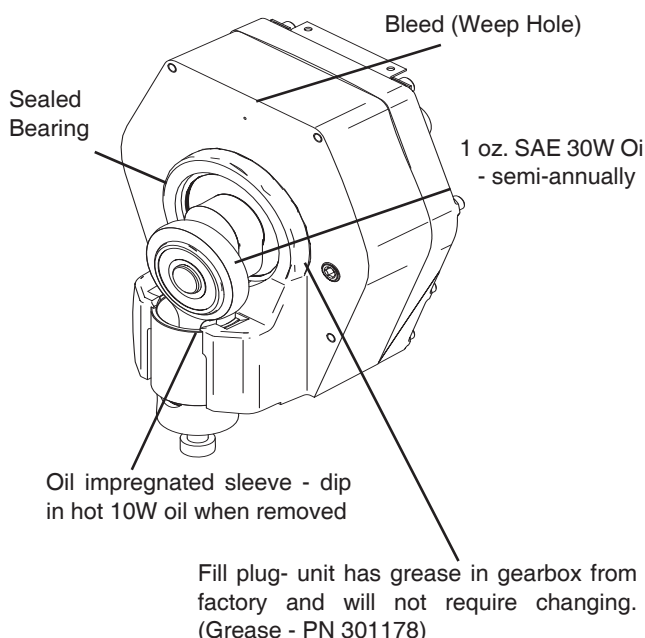
Regular Maintenance

1. Always stop the pump at the bottom of its stroke when you take a break or at the end of the day. This helps keep material from drying on the rod, damaging the packings.
2. Keep displacement pump packing nut/wet cup 1/3 full of Airlessco Throat Seal Oil at all times. The TSO helps protect the packings and rod.
3. Lubricate Connecting Rod Pin every 3 months.

Daily Maintenance

Inspect the packing nut daily. If seepage of paint into the packing nut and/or movement of the piston upward is found (while not spraying), the packing nut should be tightened just enough to stop leakage. Overtightening will damage the packings and reduce the packing life.

Oil and Lubrication Instructions



Electric Motor Maintenance

Lubrication

The motor is supplied with pre-lubricated ball bearings, lubricated for the life of the bearing.

Motor Brushes

Motor brushes need periodic inspection and replacement as wear indicates. Standard Leeson brushes have an initial length of 1 and 1/4" and should be replaced when they are worn to a length of 5/8". Brush wear is greatly influenced by individual application and it is recommended that brush wear be checked at early intervals of operation in order to determine future required inspection.

To change the brushes:

1. Unplug the machine.
2. Remove the cover over the motor.
3. Open the two covers at the rear of the motor.
4. Loosen the screw under the brush.
5. Pull out the wire.
6. Push the brush retainer clip in and withdraw.
7. Remove the worn brushes.
8. Install new brushes in the reverse order.

To increase brush life, new brushes (Part #301146 for 110 volt) need to have a run in period. After changing brushes, set the machine for spraying. With a bucket of Pump Conditioner and water, a 50' 1/4" airless hose, airless gun and tip on unit, open the prime valve and switch on. The pump will now prime. With pump running in the prime mode, turn the pressure control knob to high pressure. (The pump has to cycle fast with no pressure in the pump). Run the pump for 20 minutes and the brushes will be run in.

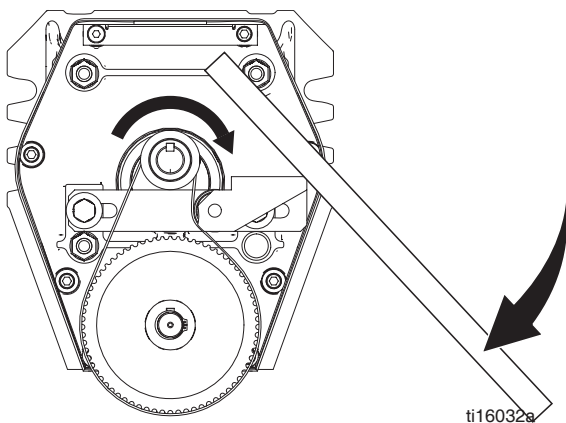
ti15992a

Replacement of Belt/Belt Adjustment

NOTE: The Cog Belt System does not require alignment. When upper sheave is placed on motor shaft it is pushed on until a positive stop is reached. The set screws are then loctited. The lower pulley is placed on gearbox and held in place with keyway and snap ring. The flange on upper sheave holds the belt in alignment and the belt self aligns on lower pulley eliminating having to align.

1. Remove cover from unit.
2. Remove tensioner Assembly. Loosen screws. Move gearbox forward to allow removal and replacement of belt.
3. Retighten screws into gearbox until they bottom out. This will align gearbox correctly.
4. Replace tensioner with bolts and leave loose to allow adjusting belt tension.
5. Tighten belt. When properly tightened the deflection play should be 1/4 inch when pushing hard with thumb. (20 ft/lbs)

NOTE: When placing belt on pulleys and inserting the tensioner against belt, ensure cogs on belt are engaged into cogs on pulleys before tightening belts. Rotating upper pulley while holding the tensioner against the belt will allow proper engagement of cogs prior to tightening.

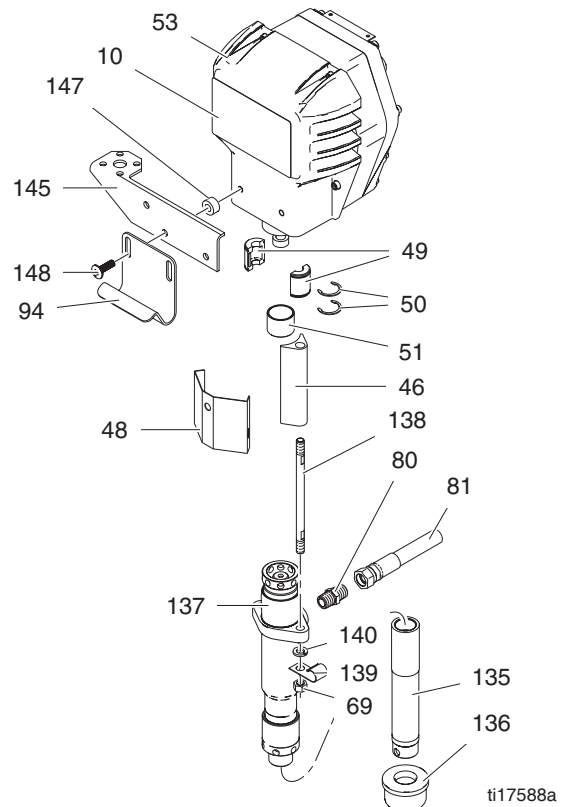


Servicing the Fluid Pump

NOTE: Before disassembling the sprayer refer to Troubleshooting to try and resolve the problem.

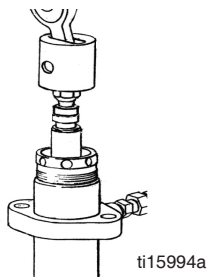
Fluid Pump Disconnect

1. Flush out the material you are spraying, if possible.
2. **Relieve Pressure**, page 7. Stop the pump in the middle of down stroke.
3. Remove the suction tube and fluid hose (if so equipped) from the fluid pump.
4. Remove the connecting rod shield from the pump.
5. Remove two retaining rings, slip the sleeve of the coupling down, and remove both coupling halves. This will disconnect fluid pump from the connecting rod.
6. Using a 7/8" box wrench, disconnect the high pressure fluid line from the pump.
7. Using a 9/16" wrench, unscrew the two tie rod lock-nuts.
8. Pull the pump off the tie rods.

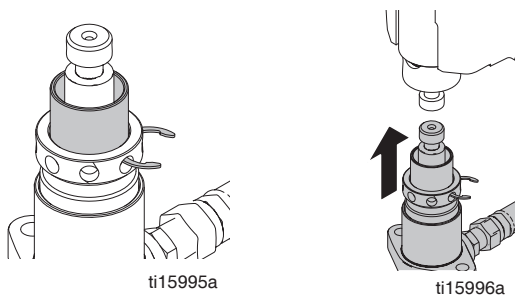


Fluid Pump Reinstall

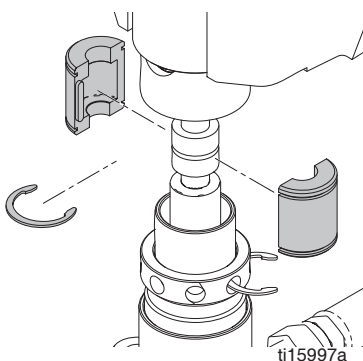
1. Loosen the packing nut and extend piston rod to fully up position. Slip sleeve over the piston rod.



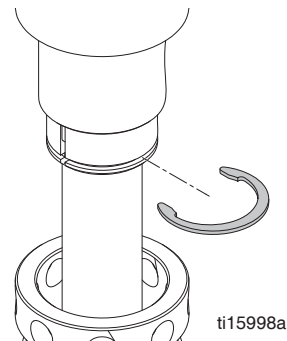
2. Insert one of the retaining rings through the packing nut and rest the sleeve on top of it.



3. Connect the connecting rod with the fluid pump by installing the coupling halves. Slide sleeve over the coupling halves and secure with retaining rings.



4. Remove the retaining ring from the packing nut and insert into coupling halves.



5. Secure the fluid pump housing to the tie rods and screw locknuts with washers on loosely.
6. Tighten the tie rod locknuts evenly to 30 ft. lb.

NOTE: After all the rod locknuts are tight, the alignment of both rods should allow easy assembly and disassembly of the coupling. If any binding, loosen and retighten all the rod locknuts to improve the alignment. Misalignment causes premature wear of seal and packings.

7. Tighten packing nut clockwise until resistance against the packings can be felt. Turn it one full turn more.
8. Start the pump and operate it slowly (at low engine speed) to check the piston rod for binding. Adjust tie rod lock nuts if necessary to eliminate binding.
9. Prime the unit and run at maximum pressure for several minutes, then release the pressure and repeat step 7.
10. Fill the wet cup (packing nut) with five drops of TSO (Throat Seal Oil).

Servicing Inlet Nut and Outlet Valve

Inlet Valve

1. Using the rod collar tool (865008), unscrew the suction nut (16), containing suction seat (13), off of the fluid body.
2. Remove suction seat (13), O-ring (15), suction ball (11) and suction ball guide (10).
3. Clean all parts and inspect them for wear or damage, replacing parts as needed. Old O-rings (15) should be replaced with new ones.

NOTE: Suction seat (867574) is reversible.

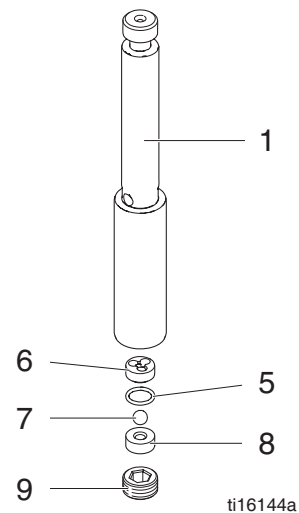
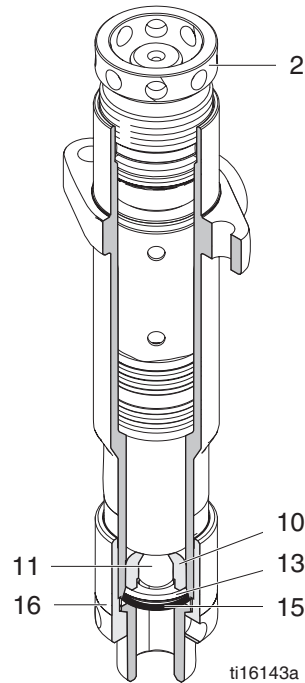
Piston Outlet Valve

1. Place piston holder in a vise. Slide piston into the holder and lock in place with a 1/4" dowel.
2. Use a 3/8" allen wrench to unscrew the outlet seat support (9) from the piston.
3. Remove the outlet seat (8), O-ring (5), outlet ball (7), and ball guide (6).
4. Inspect outlet ball (7) and seat for wear. Replace as required.

NOTE: Outlet seat (867575) is reversible.

5. While piston is still locked in the holder, install parts back into the piston in the following order:
 - Ball guide (6)
 - Ball (7)
 - O-ring (5)
 - Outlet Seat (8)

Before reinstalling the outlet seat support (9) apply two drops of Loctite No. 242 (blue) on the threads and torque to 20 ft-lbs.



Packing Replacement Procedures

Disassembly of the Fluid Pump

1. Unscrew and remove the packing nut (2).
2. Push the piston rod (1) down through the packings and out of the pump.
3. Now push the packing removal tool up through the pump and remove from the top bringing the packings, spacer (4) and springs along with it, leaving fluid body (3) empty.

NOTE: Make sure all old packings and glands have been removed from fluid pump.

4. Clean inside of fluid body (3).
5. Disassemble all parts and clean for reassembly. Discard any old packings. Save the metal upper glands. Replace metal lower glands with new metal glands from the packing kit.

NOTE: If the old packing had a metal gland for (866100), discard and replace with a new plastic one from packing kit.

6. Lubricate leather (17, 23) packing in lightweight oil for 10 minutes prior to reassembly.

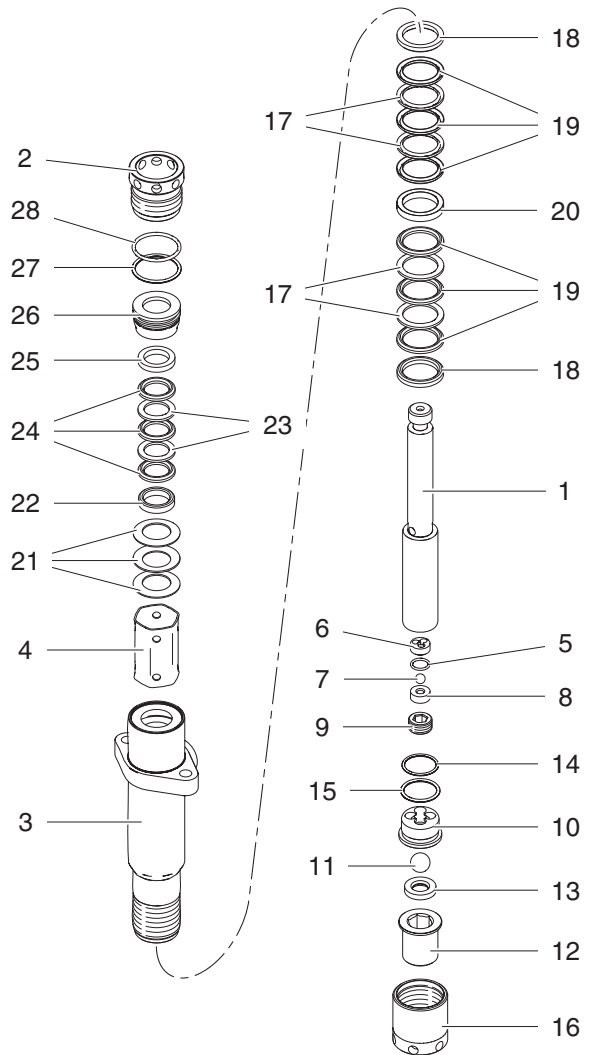
Reassembly of the Fluid Pump

1. Place lower male gland (18) down on the flat side.
2. Take three of the lower polyethylene V-packings (19) and two of the leather V-packings (17) and place onto the male gland (18), with the inverted side down, in the following order:
 - Polyethylene (19)
 - Leather (17)
 - Polyethylene (19)
 - Leather (17)
 - Polyethylene (19)
3. Take the female adaptor (20), which is inverted on both sides, and place it on top of your assembled lower packings.
4. Follow step 2 with your packings inverted side up.
5. Take the second lower male gland (18) and place it on top of your assembled packings with rounded side down.

6. Take assembled glands and packings (13 pieces) and slide onto the lower half of the piston.
 7. Take the spacer (4) and slide over the top of the piston (it doesn't matter which direction it sits), falling onto the lower packings.
 8. Take three Belleville Springs (21) and slide over the top of the piston in the following order:
 - First spring - curve facing up
 - Second spring - curve facing down
 - Third spring - curve facing up
 9. Take the upper male gland (22) and place it rounded side up.
 10. Take three upper polyethylene V-packings (24) and two leather packings (23) and assemble with inverted side down, on to the male gland (22) in the following order:
 - Polyethylene (24)
 - Leather (23)
 - Polyethylene (24)
 - Leather (23)
 - Polyethylene (24)
 11. Take upper female gland (25) and place on top of assembled upper packings with the inverted side down.
 12. Take assembled upper glands and packings (7 pieces) and slide on over the top of the piston, making sure inverted sides are down.
 13. Take the V-packing holder and replace the white O-ring (27) and the black O-ring (28) with new ones from the packing kit.
 14. Slide the V-packing holder (26) over the top of the upper packings so they fit inside.
 15. Lubricate inside of the fluid pump body and the outside of the packings with a light weight oil.
 16. Slide assembly into fluid pump body.
- NOTE:** To keep packings secured in correct position, hold the pump body upside down and push the completed assembly upwards into the pump body. Once placed inside, tilt pump body back up to keep all pieces in.

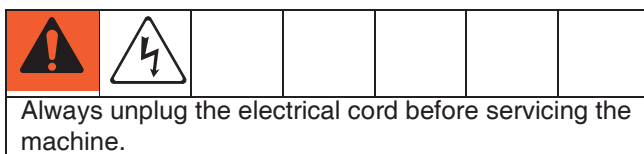
Maintenance

17. Thread the packing nut (2) into the top of the fluid body (3) and tighten hand tight.
18. Take the suction retainer (10) and replace the black O-ring (15) with a new one from the packing kit. Replace the suction ball (11) with a new one from the kit into the suction retainer (10). Place the suction seat (13) into the flat side of the ball guide (6), over the suction ball (11). Now place the white O-ring (14) into the groove around the suction seat (13).
19. Take the completed suction valve assembly and place it into the bottom of the fluid body (3), with the rounded side fitting inside.
20. Take the suction seat support (12) and place the flat side down on to the suction valve assembly (threads will be facing upwards).
21. Thread the suction nut, over the suction seat support (12).
22. Tighten the packing nut (2) (utilizing the packing nut adjustment tool) clockwise one full turn.



ti16002a

Replacement of Electrical Components



NOTE: Anytime the pressure control assembly, sensor, or both are replaced, perform the calibrations.

Pressure Control Assembly (Electrical Control Board)

1. Unplug machine's power cord.
2. Remove eight screws and lower the pressure control assembly.
3. Disconnect all leads from pressure control assembly.
4. Reassemble in reverse order.

Sensor

1. Remove the screws and lower the pressure control assembly.
2. Disconnect sensor lead from the board.
3. Unscrew sensor from pressure control assembly using a 7/8" wrench.
4. Reassemble in reverse order. Use PTFE tape on the sensor threads prior to reinstalling it into the pressure control assembly.

Potentiometer

1. Lower pressure control assembly as described above.
2. Disconnect potentiometer lead from pressure control assembly.
3. Use a 1/16" allen wrench, loosen set screw in the potentiometer knob and remove knob and spacer.
4. Using a 1/2" wrench or deep socket, remove the nut from the potentiometer shaft assembly.
5. Pull entire potentiometer assembly out of the frame.
6. Replace in reverse order.

On-Off Toggle Switch

1. Lower the pressure control assembly as described above.
2. Disconnect the two wires on the toggle switch.
3. Use a 9/16" wrench to loosen the nut on the toggle switch shaft.
4. Reassemble in reverse order.

Liquid Crystal Display (LCD)

1. Ensure the power switch is OFF and the machine is unplugged.
2. Detach the pressure control assembly from the frame by unscrewing the eight screws.
3. Disconnect the LCD lead from the pressure control assembly.
4. Separate the LCD assembly from the frame by undoing the two screws.
5. Remove and replace LCD Display.
6. Reassemble in reverse order.

NOTE: Do not over tighten the screw and nuts. This can warp the LCD and damage it.

Troubleshooting



General		
Problem	Cause	Solution
Unit doesn't prime	Airleak due to loose suction nut	Tighten suction nut.
	Airleak due to worn o-rings	Replace o-ring (110636) on suction seat and o-ring (867390) below suction seat.
	Stuck or fouled balls	Service inlet and outlet valves.
	Prime/Pressure Relief valve not opening	Clean or replace Prime Valve (866428)
Unit primes but has poor or no pressure	Pressure set too low	Turn up pressure.
	Filter(s) are clogged	Clean or replace gun filter, inlet filter, and/or manifold filter.
	Outlet valve fouled/worn.	Service outlet valve.
	Prime/pressure relief valve bypassing	Clean or replace prime valve (866428).
	Packings and/or piston worn	Tighten packing nut, repack unit.
Unit does not maintain good spraying pressure	Blown spray tip	Replace spray tip.
	Packings and/or pistons worn	Repack unit.
	Upper seat worn	Replace upper seat.
Unit does not run		See Machine Does Not Start
Machine does not start	Control Settings	Make sure machine is plugged into the wall. Verify the on-off switch is in the ON position and the pressure control knob is turned all the way to the right (clockwise for maximum pressure).
	Pressure Control Assembly (Board)	If the power indicating light is still out after checking the control settings and power source, replace the pressure control assembly.

Problem	Cause	Solution
	Motor	<p>Remove the motor brush covers and turn the machine ON. Set the potentiometer (POT) at maximum pressure and check for DC voltage across both brush terminals. It should read greater than 80 volts DC.</p> <p>If you have DC voltage, turn the machine off and unplug it from the wall. Check to make sure the brushes are making good contact with the armature. Replace the brushes if they are less than 5/8" long. If the brushes are good, replace the motor.</p> <p>If you do not have DC voltage, see Sensor.</p>
	Sensor	<p>Plug another sensor board into the board and perform the zero calibration procedure. If the machine starts to run, the sensor is bad. If there is no replacement sensor available, use a multi-meter to test the resistance across the red and black wires of the sensor (be sure to test the plug). You should read 1.5 - 3.5k ohms. A faulty sensor usually reads no continuity (open).</p> <p>If the sensor passes all the tests, see Pressure Control Knob (Potentiometer).</p>
	Pressure Control Knob (Potentiometer)	<p>Plug another potentiometer (POT) into the control board. If the machine starts, the old POT is bad.</p> <p>When a replacement POT is not available, remove the POT lead (with the machine turned off) from the control board and test the resistance between the red and black wires (be sure to test at the plug). The resistance should read between 8-12k ohms. If it is outside of this range replace the POT.</p> <p>If there is DC voltage at the motor brushes and the sensor and pressure control knob are functioning, replace the pressure control assembly.</p>

Airless Spray Gun




Problem	Cause	Solution
Coarse spray	Low pressure	Increase the pressure
Excessive fogging (over-spray)	High pressure	Reduce the pressure to satisfactory pattern distribution.
	Material too thin	Use less thinner
Pattern too wide	Spray angle too large	Use smaller spray angle tip

Troubleshooting

Problem	Cause	Solution
Pattern too narrow	Spray angle too small	Use larger spray angle tip (if coverage is OK, try tip in same tip group)
Too much material	Tip too large	Use smaller tip
	Material too thin	Use smaller tip
	Pressure too high	Reduce pressure
Too little material	Tip too small	Use next larger tip Material too thick
Thin distribution in center of pattern "horns"	Worn tip	Change to new tip
	Wrong tip	Use tip with narrow spray angle
Thick skin on work	Material too viscous	Thin cautiously
	Application too heavy	Reduce pressure and/or use tip in next smaller tip size
Coating fails to close and smooth over	Material too viscous	Thin cautiously
Spray pattern irregular, deflected	Orifice clogged	Clean carefully
	Tip damaged	Replace with new tip
Craters or pock marks, bubbles on work	Solvent balance	Use 1 to 3% "short solvents remainder "long" solvents (this is most likely to happen with material of low viscosity, lacquers, etc.)
Clogged screens	Extraneous material in paint	Clean screen
	Course pigments	Use coarse screen if orifice size allows.
	Poorly milled pigments (paint pigments glocculate)	Use courser screen, larger orifice tips. Obtain ball milled paint. If thinner had been added, test to see if a cover screen. Incompatible drop placed on top of paint mixes or flattens out on the paint mixture and thinners on the surface. If not, try different thinner in fresh batch of paint.
Excess paint builds on tip guard	Spray gun too close to surface	Hold gun further from surface sprayed
	Pressure setting too high	Reduce pressure setting
Drips, spits from tip	Valve seat and/or ball in gun head damaged or worn	Service spray gun, replace valve assembly
Tip clogs continually	Debris in paint	Thoroughly strain the paint before use
	Gun filter missing	Do not operate without inlet strainer
	Coarse filter mesh	Do not operate without inlet strainer

Pressure Control Repair

Motor Control Board Diagnostics

						
Relieve pressure and unplug sprayer before servicing control board. See Pressure Relief Procedure , page 7.						




NOTE: Keep a new transducer on hand to use for test.

NOTICE
Do not allow sprayer to develop fluid pressure without transducer installed. Leave drain valve open if test transducer is used.

1. For sprayers with digital display, see **Digital Display Messages**, page 22
2. Remove screws and cover.
3. Turn ON/OFF switch ON.
4. Observe LED operation and reference following table:

LED BLINKS	SPRAYER OPERATION	INDICATES	WHAT TO DO
Once	Sprayer runs	Normal operation	Do nothing
Two times repeatedly	Sprayer shuts down and LED continues to blink two times repeatedly	Run away pressure. Pressure greater than 4500 psi (310 bar, 31 MPa) or damaged pressure transducer.	Replace motor control board or pressure transducer.
Three times repeatedly	Sprayer shuts down and LED continues to blink four times repeatedly.	Pressure transducer is faulty or missing	Check transducer connection. Open drain valve. Substitute new transducer for transducer in sprayer. If sprayer runs, replace transducer.
Four times repeatedly	Sprayer shuts down and LED continues to blink four times repeatedly.	Line voltage is too high	Check for voltage supply problems
Five times repeatedly	Sprayer does not start or shuts down and LED continues to blink five times repeatedly	Motor fault	Check for locked rotor, shorted wiring or disconnected motor. Repair or replace failed parts.
Six times repeatedly	Sprayer shuts down and LED blinks six times repeatedly	Motor is too hot or there is a fault in the motor thermal device	Allow sprayer to cool. If sprayer runs correctly when cool, check motor fan function and air flow. Keep sprayer in cool location. If sprayer does not run when cool and continues to blink 6 times, replace motor.
Eight times repeatedly	Sprayer stops or does not run	High input voltage	Check power source for correct voltage

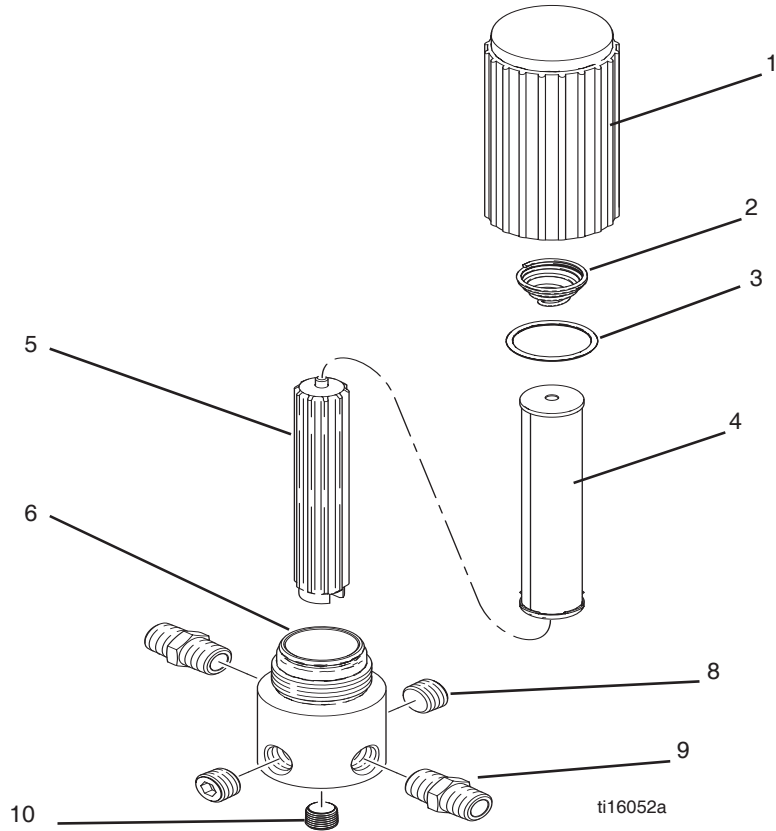
Digital Display Messages (Series B)

						
<p>No display does not mean that sprayer is not pressurized. Relieve pressure before repair. See Pressure Relief Procedure, page 7</p>						

DISPLAY	SPRAYER OPERATION	INDICATION	ACTION
No Display	Sprayer stops. Power is not applied. Sprayer may be pressurized.	Loss of power.	Check power source. Relieve pressure before repair or disassembly.
3000 psi 210 bar 21 Mpa	Sprayer is pressurized. Power is applied. (Pressure varies with tip size and pressure control setting.)	Normal operation	Spray
E=02	Sprayer may continue to run. Power is applied.	Pressure greater than 4500 psi (310 bar, 31 MPa) or pressure transducer faulty	Replace pressure control board or pressure transducer
E=03	Sprayer stops. Power is applied.	Pressure transducer faulty, bad connection or broken wire.	Check transducer connection. Open drain valve. Substitute new transducer for transducer in sprayer. If sprayer runs, replace transducer.
E=04	Sprayer stops. Power is applied.	Line voltage too high.	Check for voltage supply problem
E=05	Sprayer does not start or stops. Power is applied.	Motor fault High Current	Check for locked rotor, shorted wiring or disconnected motor. Repair or replace failed parts.
E=06	Sprayer stops. Power is applied.	Motor is too hot.	Allow sprayer to cool. If sprayer runs correctly when cool, check motor fan function and air flow. Keep sprayer in cool location. If sprayer does not run when cool and continues to blink 6 times, replace motor.
- - - -	Power is applied.	Pressure less than 200 psi (14 bar, 1.4 MPa)	Increase pressure if desired. Drain valve may be open.
E=08	Sprayer stops or does not start	Low input voltage	Check power source for correct voltage

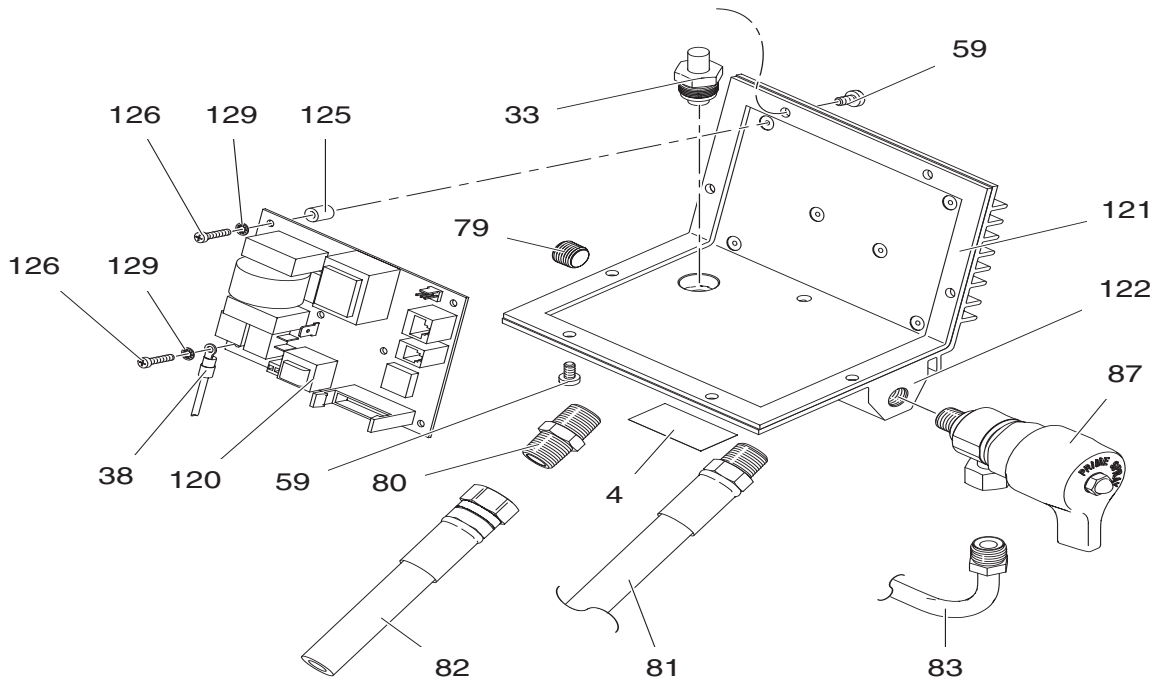
Parts

Manifold Filter (865627)



Ref.	Part	Description	Qty	Ref.	Part	Description	Qty
1	867145	BASE	1	6	867077	BASE	1
2	301356	SPRING	1	7	867004	SWIVEL (not shown)	1
3	867377	O-RING	1	8	867420	PLUG 3/8"	2
4	867214	FILTER 60 MESH	1	9	867309	NIPPLE 3/8"M x 1/4"M	2
5	867647	SUPPORT	1	10	557391	PLUG 1/4"	1

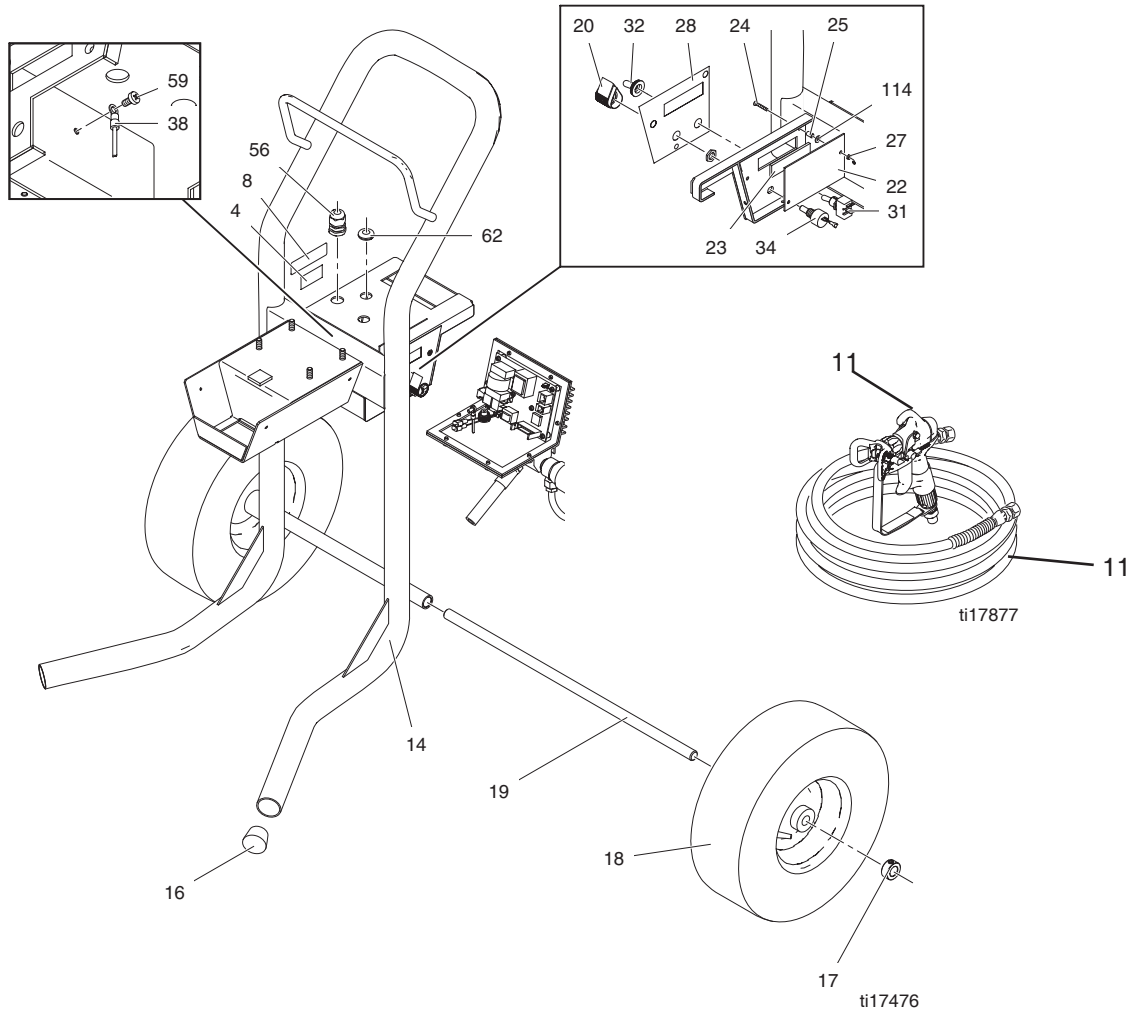
Control Parts Diagram



ti17478b

Ref.	Part	Description	Qty	Ref.	Part	Description	Qty
33	243222	TRANSDUCER,PRESSURE CON- TROL	1	*	867824	(110/120V)	
38*	866049	CABLE,ASSY 9" LG	1		867825	(230/240V)	
59	110637	SCREW,MACH,PANHEAD	13			KIT, upgrade from old control board to new control board.	
79	557391	PLUG,DRYSEAL 1/4 NPTF	1	867831	(110/120V)		
80	867311	FITTING,NIPPLE HX 3/8 TO 3/8 NPT	2	867830	(230/240V)		
81	301308	HOSE,3/8 X 16 LONG	1				
82	867400	HOSE					
83	867758	HOSE,DRAIN	1				
84	867759	CONNECTOR,MALE,3/8 TUBE X 1/8 PIPE	1				
86	865013	ADAPTER,VALVE	1				
87	865719	PRIME VALVE	1				
120*	867965	CONTROL,BOARD 110V/120V	1				
	867966	CONTROL,BOARD, 230V/240V bar	1				
	867967	CONTROL,BOARD 230V/240V psi	1				
121*	867796	GASKET,COVER SL	1				
122*		HEAT SINK,MACHINED SL	1				
125*		SPACER,CONTROL BOARD	6				
126*		SCREW,MACH,PHILLIPS PAN HD	6				
129*	100272	WASHER,LOCK	6				
		CONTROL BOARD KIT (includes 38, 120, 121, 122, 125, 126, 129)					

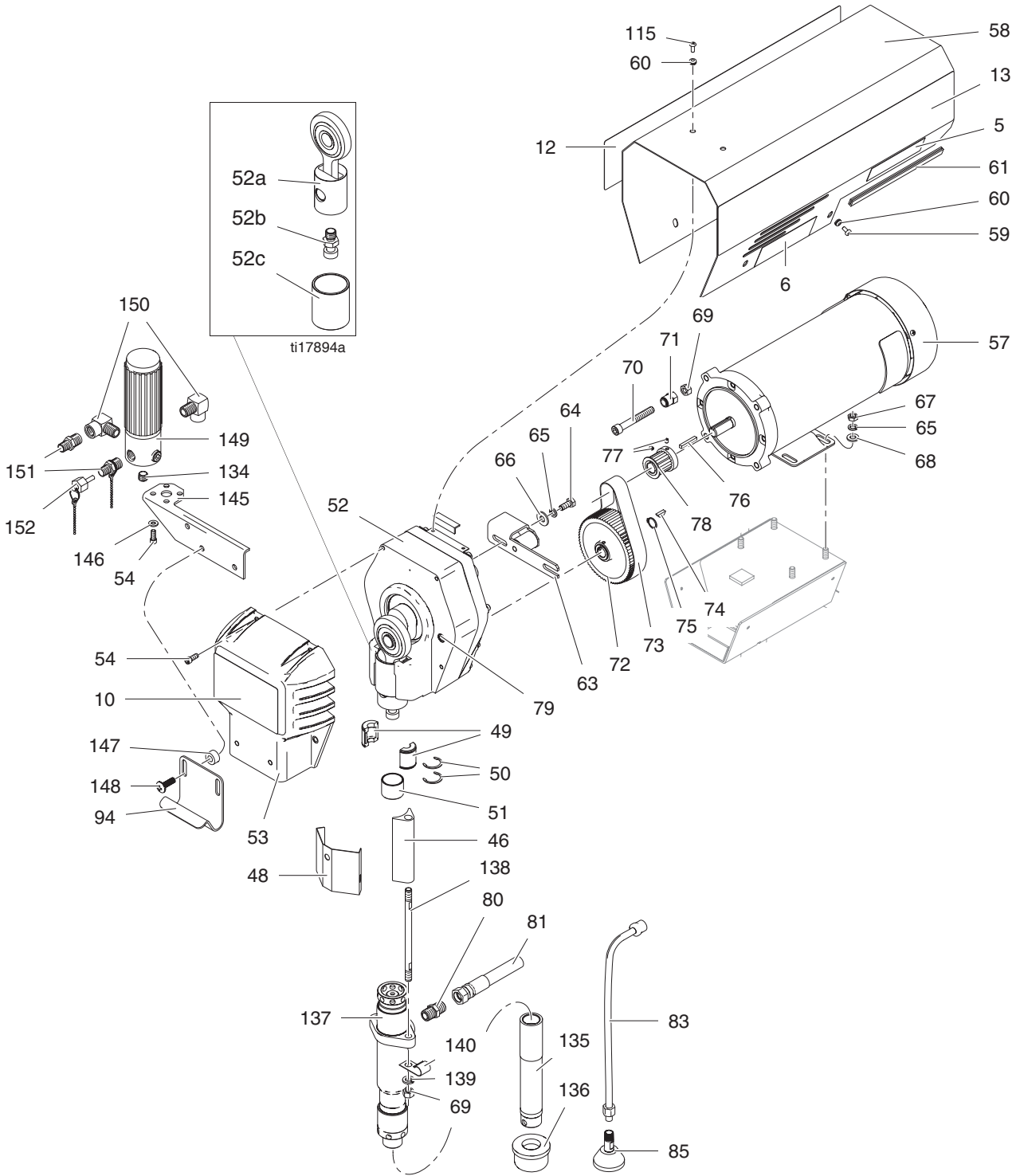
Frame Parts Diagram



Ref. Part	Description	Qty	Ref. Part	Description	Qty
4▲	342425 LABEL - HIGH VOLTAGE	1	59	110637 SCREW,MACH,PANHEAD	13
8	15H550 LABEL,SERIAL	2	62	867252 GROMMET	1
14	867791 FRAME,CART	1	110	GUN	
16	301134 PLUG,NEOPRENE	2	289316	(SL1100) 120V/230V Asia, ANZ, CN	1
17	143029 COLLAR,SCREW,SET (SPECIAL ID)	2	289283	(ALLPRO)	1
18	301165 WHEEL,PNEUMATIC	2	24E514	(SL800/1100) 230/240V & 110V	
19	866025 AXLE	1	111	HOSE 1/4"x50'	
20	116167 KNOB,POTENTIMETER	1	24A258	(ALLPRO)	1
22	DISPLAY,LCD	1	HSE1450	(SL1100) 120V/230V Asia, ANZ, CN	1
23	867798 DISPLAY,WINDOW	1	865674	(SL800/1100) 230/240V & 110V	
24	867816 SCREW,MACH,PHILLIPS FLAT HD	2	114	867731 WASHER,PLAIN-1/8IN.IDX5/16IN.	2
25	117281 SPACER,#6 X .312	2		OD	
27	867817 NUT,HEX	2	867821	DISPLAY KIT (includes 22, 23, 24, 25, 27, 114)	1
28	867803 LABEL,CONTROLS,SL	1			
31	301083 SWITCH,TOGGLE	1			
32	301150 BOOT,RUBBER,BLACK	1			
34	256219 POTENTIOMETR,ASSEMBLY	1			
38	866049 CABLE,ASSY 9" LG	1			
56	331185 STRAIN RELIEF	1			

▲ Additional warning labels are available at no cost.

Motor and Drive Parts Diagram



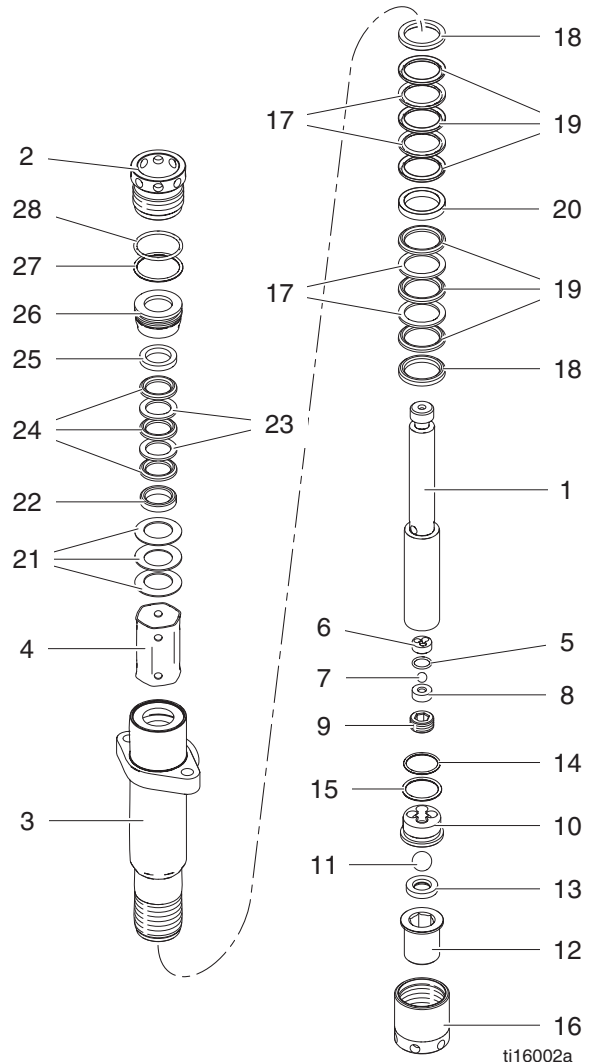
Ref.	Part	Description	Qty	Ref.	Part	Description	Qty
5▲	195793	LABEL WARNING (120V)	1	72	866455	PULLEY,69 TEETH, MACHINING	1
	195792	LABEL WARNING (230V)	1	73	301231	BELT,TIMING,5MM PITCH	1
	16G596	LABEL WARNING, ICONS, INTL	1	74	301139	KEY,WOODRUFF, 3/16 X 5/8	1
10	16F578	LABEL,AIRLESSCO, SL1100, FRONT	1	75	867461	RETAINER,RING, EXTERNAL,,625	1
	16F739	LABEL, ALLPRO, MUSTANG 11000 FRONT	1	76		KEY,SQUARE,3/16 X 1.35	1
	16H952	LABEL, AIRLESSCO, SL800, FRONT	1	77	101118	SCREW	4
12	16F580	LABEL,AIRLESSCO, SL1100, RIGHT	1	78	866452	GEAR,SHEAVE	1
	16F740	LABEL, ALLPRO, MUSTANG 11000, RIGHT	1	79	557391	PLUG,DRYSEAL 1/4 NPTF	2
	16H953	LABEL, AIRLESSCO, SL800, RIGHT	1	80	867311	FITTING,NIPPLE HX 3/8 TO 3/8 NPT	2
13	16F579	LABEL,AIRLESSCO, SL1100, LEFT	1	81	301308	HOSE,3/8 X 16 LONG	1
	16F741	LABEL, ALLPRO, MUSTANG 11000, LEFT	1	83	867758	HOSE,DRAIN	1
	16H954	LABEL, AIRLESSCO, SL800, LEFT	1	85	241920	DEFLECTOR,THREADED	1
46	301059	SPACER,SL SERIES	2	94	301105	HOOK	1
48	301467	SHIELD FRONT SL SERIES	1	115	110037	SCREW,MACH,PNH	2
49†	866074	COUPLER	1	134	557391	PLUG (1/4")	1
50†	867468	RETAINER,RING,EXTERNAL,1.00	2	135	301004	TUBE,SUCTION	1
51†	866069	COVER,COUPLING	1	136	141010	FILTER,BASKET, 1" NPTF	1
52		BOX,GEAR (includes 52a, 52b, 52c)	1	137	866267	PISTON,PUMP, 2.00 STROKE	1
	301203	SL800		138	867641	STUD,3/8-16 X 6-1/2 LG	2
	301204	SL1100	1	140	866211	CLIP,J	1
52a		CONNECTING ROD ASSEMBLY	1	145	305140	BRACKET,BRACKET- FILTER	1
	301333	(SL1100)	1	146	331103	WASHER .562 .250 .060 .ST	2
	866458	(SL800)	1	147	866445	SPACER	2
52b	301046	ROD END	1	148	867534	SCREW 5/16-18 X1.00 PH HD	2
52c	301047	SLEEVE BEARING	1	149	866123	FILTER,ASSY	1
53	301320	COVER	1	150	867188	FITTING,ELBOW STREET 90 3/8 NPT	2
54	121112	SCREW,CAP, SOCKET HEAD	6	151	867309	FITTING,NIPPLE 3/8NPT TO 1/4 NPT	2
57		MOTOR ASSEMBLY (includes 69, 70, 71, 76)		152	240131	PLUG,PACKLESS	1
	866228	SL1100 (110/120V)	1		866445	SPACER (not shown)	2
	866229	SL1100 (230/240V)	1	*	806143	GEARBOX KIT W/O ROD (SL1100)	
	866226	SL800 (240V)	1				
57a	301190	FAN (not shown)	1				
57b	301089	FAN COVER (not shown)	1				
57c	301191	RETAINING CUP FAN (not shown)	1				
58	301321	COVER	1				
59	110637	SCREW,MACH,PANHEAD	13				
60	301135	GROMMET	6				
61	865180	TRIM,EDGE, RUBBER	2				
63	301193	BRACKET,TENSIONER	1				
64	100057	SCREW,CAP,HEX HD	2				
65	100214	WASHER,LOCK	6				
66	867704	WASHER,PLAIN, 5/16 NOMINAL	2				
67	111303	NUT,HEX	4				
68	100527	WASHER,PLAIN	4				
69	100307	NUT,HEX	5				
70	301044	SCREW,MODIFIED	3				
71	301099	RETAINER,5/8-18	3				

▲ Additional warning labels are available at no cost.
† 866075 Coupling set includes 49, 50, 51

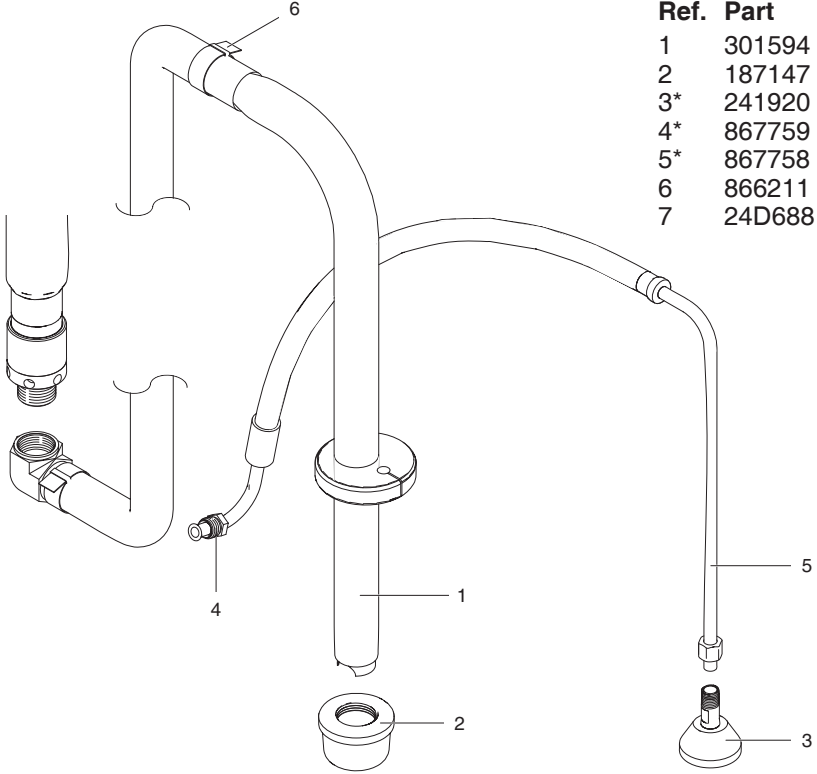
Packing Replacement

Ref. Part	Description	Qty
1*	PISTON,2.00 STROKE, SL	1
2	866056 SCREW,COLLAR	1
3	866295 BODY,PUMP,MACHINING	1
4	866362 SPACER,TUBE	1
5*+	104319 PACKING,O-RING	1
6*+	866307 RETAINER,BALL,,3125,SL	1
7+	867047 BALL,,3125, GR25, PISTON	1
8	867575 SEAT,UPPER,T.C.	1
9*	866274 PLUG,3/4-20	1
10	866306 RETAINER,SUCTION	1
11+	101822 BALL, INTAKE	1
12	866400 SUPPORT,SUCTION SEAT	1
13	867574 SEAT,T.C.	1
14+	867390 O-RING,5-677, PTFE	1
15+	556562 O-RING,-121 VITON-A 75 DURO	1
16	866241 NUT,SUCTION	1
17+	867689 PACKING,VEE,LEATHER	4
18+	866018 ADAPTER,MALE, SHORT	2
19+	867693 PACKING,V-PACKING(1.500/1.125)	6
20+	866100 ADAPTER,DOUBLE, FEMALE	1
21	867083 SPRING,BELLEVILLE	3
22	866011 ADAPTER,MALE	1
23+	867688 PACKING,VEE,LEATHER	2
24+	867608 PACKNG,SEAL,1.187/.810,UHWPE	3
25	866010 ADAPTER,FEMALE	1
26	866426 HOLDER,V PACKING	1
27+	867378 O-RING,2-126, PTFE	1
28+	107083 PACKING,O-RING	1

These parts are included in Repair Kit 866267
 * These parts are included in Repair Kit 866269
 + These parts are included in Packing Kit 865672



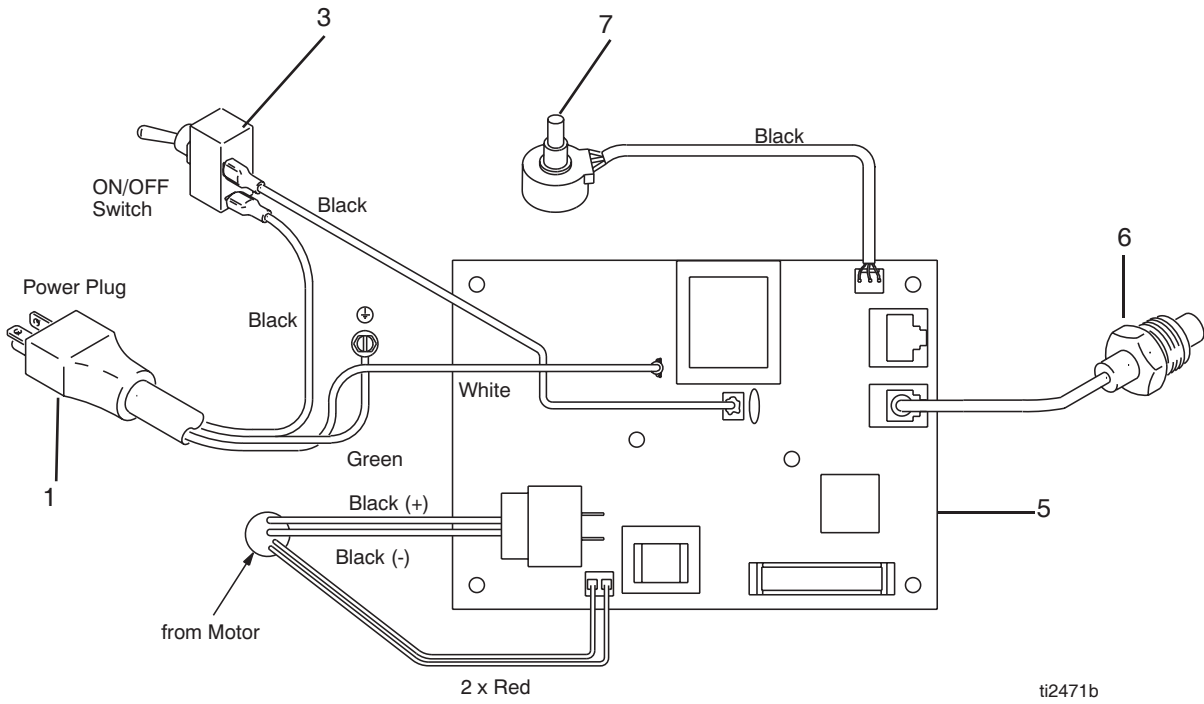
Suction Assemblies



Ref.	Part	Description	Qty
1	301594	SUCTION ASSEMBLY (includes 2)	1
2	187147	INLET STRAINER	1
3*	241920	THREADED DEFLECTOR	1
4*	867759	MALE CONNECTOR	1
5*	867758	DRAIN HOSE (includes 4)	1
6	866211	CLIP	1
7	24D688	RETURN HOSE ASSEMBLY includes 3, 4, 5	1

ti16147a

Electrical System



Ref.	Part	Description	Qty	Ref.	Part	Description	Qty
1		CORD		3	301083	TOGGLE SWITCH	3
	331168	120V	1	5		PRESSURE CONTROL ASSEMBLY	5
	118046	110V	1	6	243222	TRANSDUCER	1
	301101	240V	1	7	256219	POTENTIOMETER	1
	867427	230V	1	8▲	15H087	LABEL, Warning (230V)	1
				▲	15T069	LABEL, Warning (120V)	1

▲ Additional warning labels are available at no cost.

Technical Data

SL800/1100 Mustang 11000 Airless Paint Sprayer		
	US	Metric
Power requirements	120V AC, 60 hz, 11A, 1 phase	
	230V AC, 50/60 Hz, 7.5A, 1 phase	
Generator required	7000 w minimum	
Maximum working pressure	3000 psi	20.7 MPa, 207 bar
Maximum delivery		
SL800	0.079 gpm	3.0 lpm
SL1100/Mustang 11000	1.0 gpm	4.0 lpm
Maximum tip size		
SL800	0.029	
SL1100/Mustang 11000	0.031	
Fluid outlet npsm	1/4 in.	
Weight	141 lb	64 kg
Wetted parts	zinc and nickel-plated carbon steel, nylon, stainless steel, PTFE, acetal, leather, UHMWPE, aluminum, tungsten carbide	

Airlessco Standard Warranty

Airlessco warrants all equipment referenced in this document which is manufactured by Airlessco and bearing its name to be free from defects in material and workmanship on the date of sale to the original purchaser for use. With the exception of any special, extended, or limited warranty published by Airlessco, Airlessco will, for a period of twelve months from the date of sale, repair or replace any part of the equipment determined by Airlessco to be defective. This warranty applies only when the equipment is installed, operated and maintained in accordance with Airlessco's written recommendations.

This warranty does not cover, and Airlessco shall not be liable for general wear and tear, or any malfunction, damage or wear caused by faulty installation, misapplication, abrasion, corrosion, inadequate or improper maintenance, negligence, accident, tampering, or substitution of non-Airlessco component parts. Nor shall Airlessco be liable for malfunction, damage or wear caused by the incompatibility of Airlessco equipment with structures, accessories, equipment or materials not supplied by Airlessco, or the improper design, manufacture, installation, operation or maintenance of structures, accessories, equipment or materials not supplied by Airlessco.

This warranty is conditioned upon the prepaid return of the equipment claimed to be defective to an authorized Airlessco distributor for verification of the claimed defect. If the claimed defect is verified, Airlessco will repair or replace free of charge any defective parts. The equipment will be returned to the original purchaser transportation prepaid. If inspection of the equipment does not disclose any defect in material or workmanship, repairs will be made at a reasonable charge, which charges may include the costs of parts, labor, and transportation.

THIS WARRANTY IS EXCLUSIVE, AND IS IN LIEU OF ANY OTHER WARRANTIES, EXPRESS OR IMPLIED, INCLUDING BUT NOT LIMITED TO WARRANTY OF MERCHANTABILITY OR WARRANTY OF FITNESS FOR A PARTICULAR PURPOSE.

Airlessco's sole obligation and buyer's sole remedy for any breach of warranty shall be as set forth above. The buyer agrees that no other remedy (including, but not limited to, incidental or consequential damages for lost profits, lost sales, injury to person or property, or any other incidental or consequential loss) shall be available. Any action for breach of warranty must be brought within two (2) years of the date of sale.

AIRLESSCO MAKES NO WARRANTY, AND DISCLAIMS ALL IMPLIED WARRANTIES OF MERCHANTABILITY AND FITNESS FOR A PARTICULAR PURPOSE, IN CONNECTION WITH ACCESSORIES, EQUIPMENT, MATERIALS OR COMPONENTS SOLD BUT NOT MANUFACTURED BY Airlessco. These items sold, but not manufactured by Airlessco (such as electric motors, switches, hose, etc.), are subject to the warranty, if any, of their manufacturer. Airlessco will provide purchaser with reasonable assistance in making any claim for breach of these warranties.

In no event will Airlessco be liable for indirect, incidental, special or consequential damages resulting from Airlessco supplying equipment hereunder, or the furnishing, performance, or use of any products or other goods sold hereto, whether due to a breach of contract, breach of warranty, the negligence of Airlessco, or otherwise.

FOR AIRLESSCO CANADA CUSTOMERS

The Parties acknowledge that they have required that the present document, as well as all documents, notices and legal proceedings entered into, given or instituted pursuant hereto or relating directly or indirectly hereto, be drawn up in English. Les parties reconnaissent avoir convenu que la rédaction du présente document sera en Anglais, ainsi que tous documents, avis et procédures judiciaires exécutés, donnés ou intentés, à la suite de ou en rapport, directement ou indirectement, avec les procédures concernées.

TO PLACE AN ORDER OR FOR SERVICE, contact your Airlessco distributor,
or call 1-800-223-8213 to identify the nearest distributor.

*All written and visual data contained in this document reflects the latest product information available at the time of publication.
Airlessco reserves the right to make changes at any time without notice.*

For patent information, see www.graco.com/patents.

Original Instructions. This manual contains English. MM 3A1184

AIRLESSCO • 3501 N. 4th AVENUE • SIOUX FALLS, SD 57104 • USA

Copyright 2010, Airlessco. All Airlessco manufacturing locations are registered to ISO 9001.

Revised February 2014