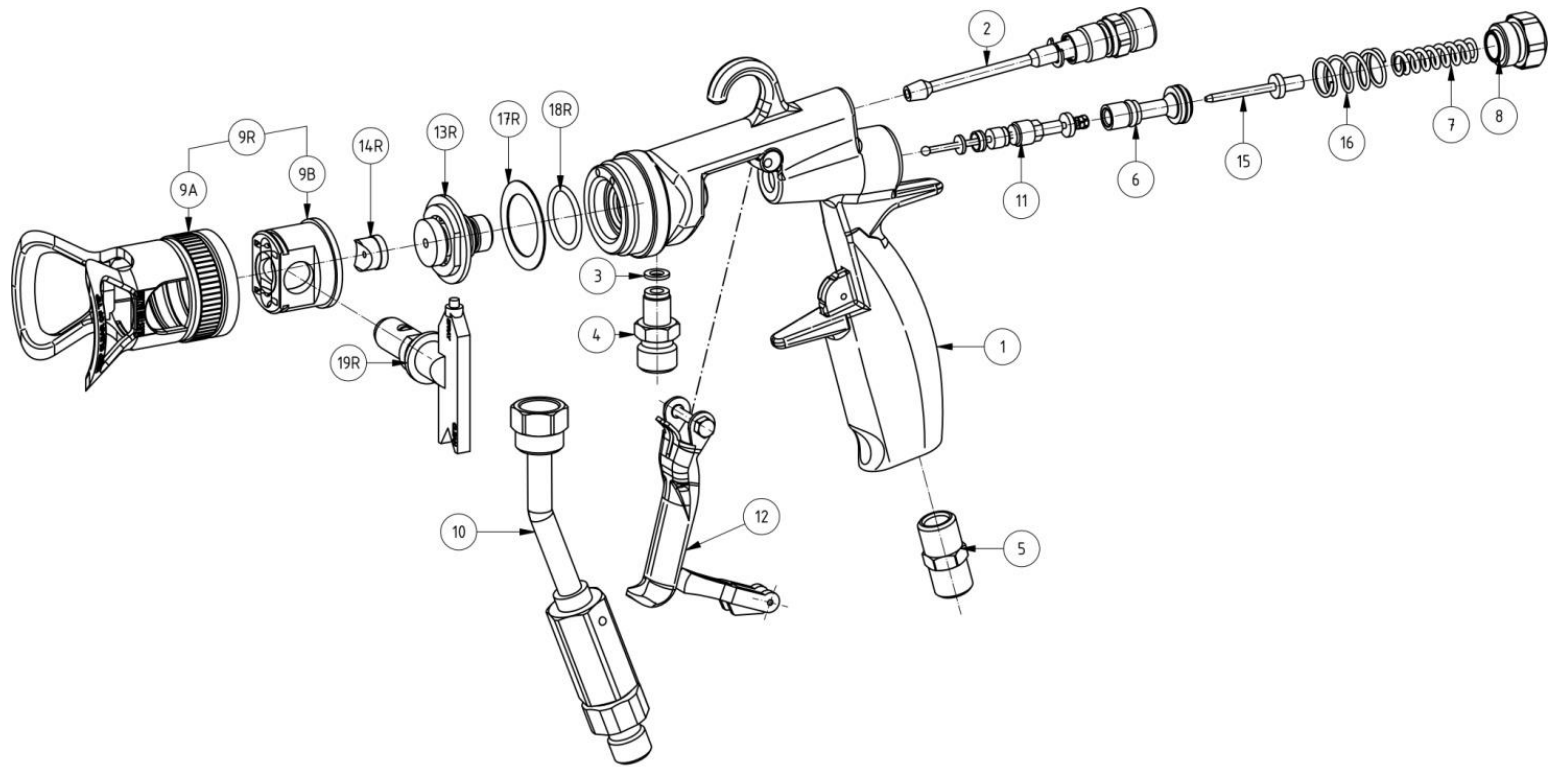




# Atomex Mach3 Air Assisted Airless Gun With Reversible Tip

Part No. AX/02-400-500

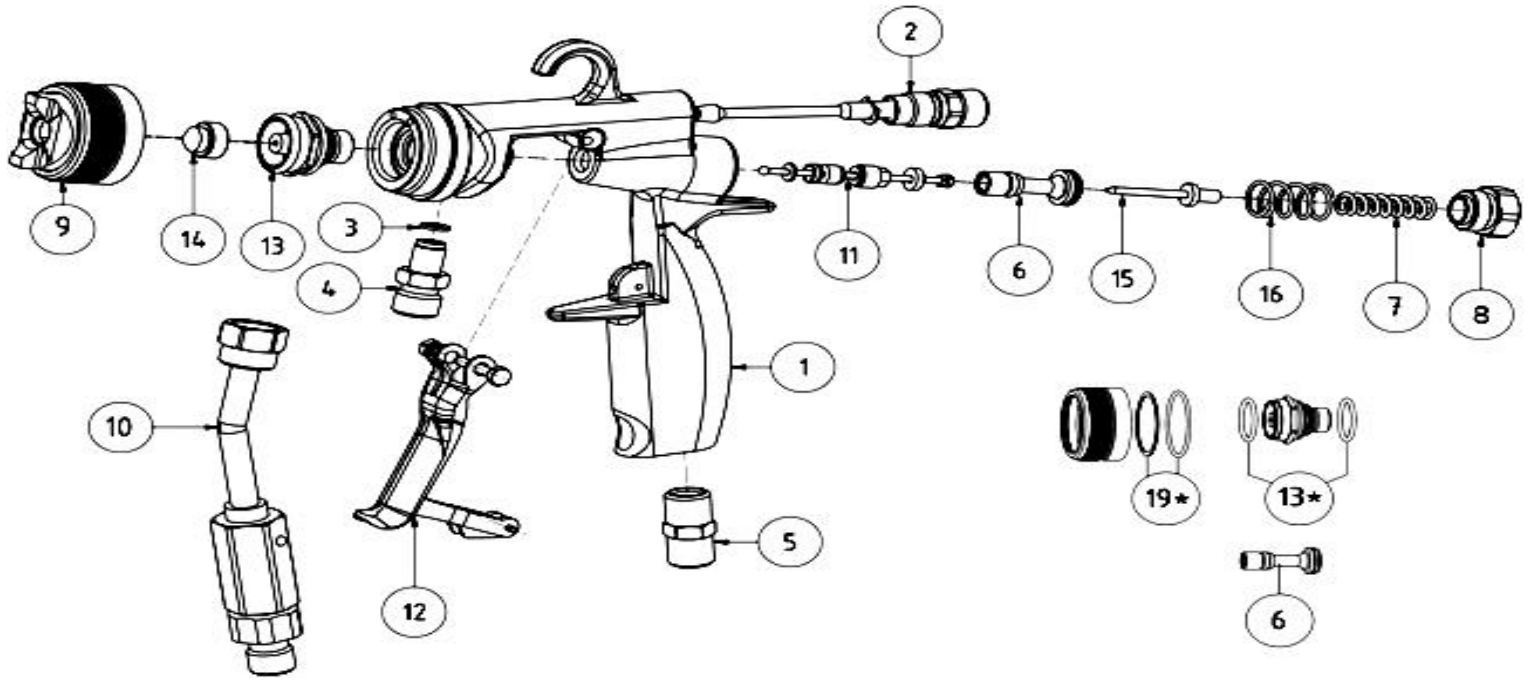


POS.	PART NUMBER	DESCRIPTION
1	AX/02-400-601	GUN BODY
2	AX/02-400-602	KIT FAN AIR REGULATION
3	AX/02-400-603	GASKET INLET MATERIAL
4	AX/02-400-604	NIPPLE INLET MATERIAL
5	AX/02-400-605	NIPPLE INLET AIR SWIVEL
6	AX/02-400-606	KIT SHUTTING STEM
7	AX/02-400-607	MATERIAL SPRING
8	AX/02-400-608	REAR NUT
9R	AX/02-400-609-rt	REVERSIBLE TIP GUARD
9A		INCLUDED WITH AX/02-400-609-RT
9B		INCLUDED WITH AX/02-400-609-RT
10	AX/02-400-610	FILTER HOLDER SHORT BENDED ¼"
11	AX/02-400-611	KIT NEEDLE
12	AX/02-400-612	KIT TRIGGER
13R	AX/02-400-613-rt	KIT DIFFUSOR
14R	AX/01-100-000	ATOMEX TIP SEAL KIT
15	AX/02-400-615	SPRING PIN
16	AX/02-400-616	AIR SPRING
17R	AX/02-400-617-rt	LARGE GASKET FOR DIFFUSOR
18R	AX/02-400-620-rt	SMALL GASKET FOR DIFFUSOR
19R	AX/01-201-310	ATOMEX X-50FF REVERSIBLE TIP 310



# Atomex Mach3 Air Assisted Airless Gun With GG4 Flat Tip

Part No. AX/02-400-000



POS.	PART NUMBER	DESCRIPTION
1	AX/02-400-601	GUN BODY
2	AX/02-400-602	KIT FAN AIR REGULATION
3	AX/02-400-603	GASKET INLET MATERIAL
4	AX/02-400-604	NIPPLE INLET MATERIAL
5	AX/02-400-605	NIPPLE INLET AIR
6	AX/02-400-606	KIT SHUTTING STEM
7	AX/02-400-607	MATERIAL SPRING
8	AX/02-400-608	REAR NUT
9	AX/02-400-609-ft	KIT AIR CUP
10	AX/02-400-610	FILTER HOLDER SHORT BENDED ¼"
11	AX/02-400-611	KIT NEEDLE
12	AX/02-400-612	KIT TRIGGER
13	AX/02-400-613-ft	KIT DIFFUSOR
14	AX/GGGG4-309	Atomex GG4 309 Flat Tip
15	AX/02-400-615	SPRING PIN
16	AX/02-400-616	AIR SPRING
13*	AX/02-400-620-ft	KIT GASKET DIFFUSOR (2)
19*	AX/02-400-621-ft	KIT GASKET AIR CAP (2)