

ATOMEX™

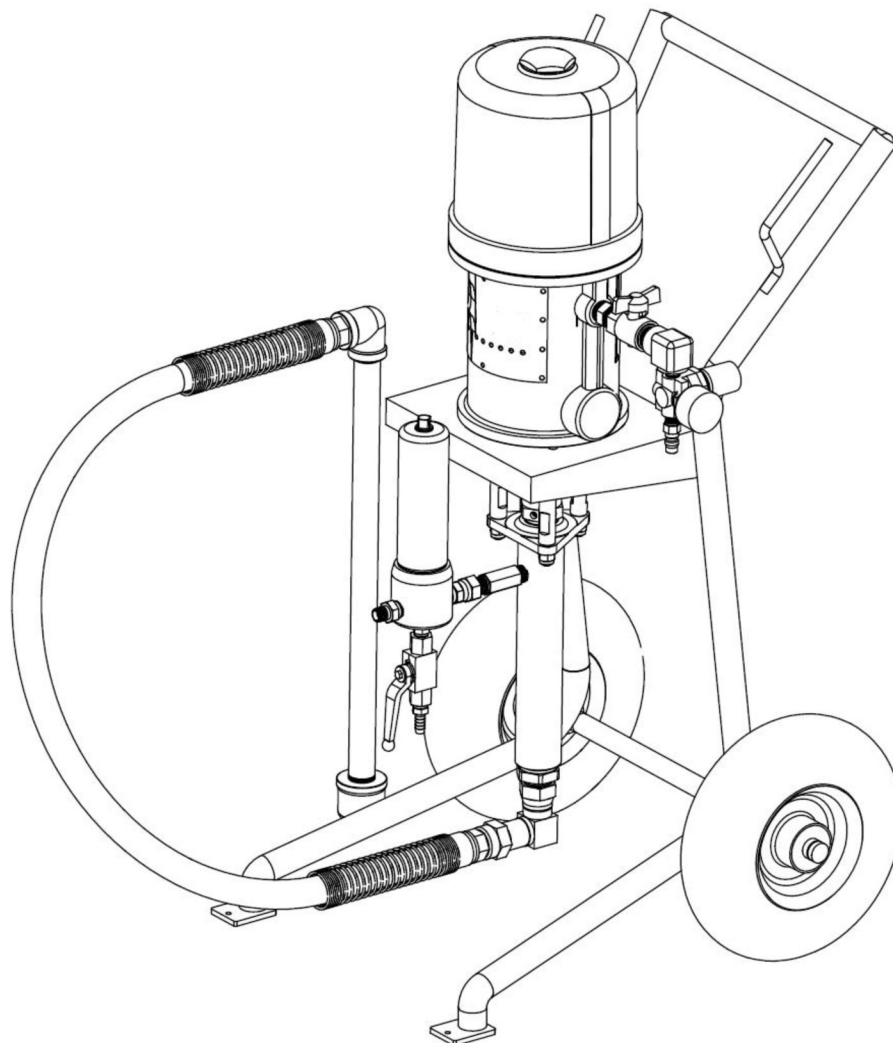
XM-30
Pneumatic Airless Sprayer



30:1 Ratio Air Powered Spray Pump

100 psi (7 bar) MAXIMUM AIR INLET PRESSURE

3000 psi (210 bar) MAXIMUM FLUID WORKING PRESSURE



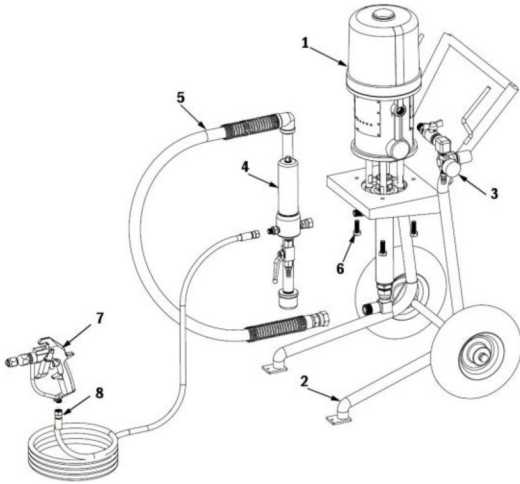
Part Number AX/0F-XM-300

PARTS BREAKDOWN



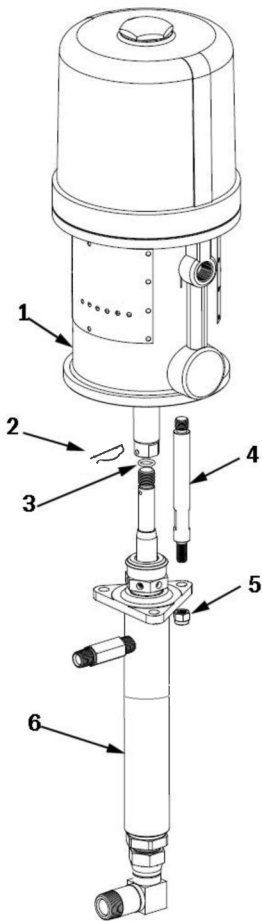
XM-30 Pneumatic Airless Sprayer

AX/00-XM-30 PARTS DRAWING



No.	Part	Description	Quantity
1	AX/XM-301-106	XM-30 Complete Pump	1
2	AX/XM-301-107	XM-30 Cart	1
3	AX/XM-301-108	XM-30 Air Regulator	1
4	AX/XM-301-109	XM-30 High Pressure Filter/Surge Tank	1
5	AX/XM-301-110	XM-30 Suction Hose Ass'y	1
6	AX/XM-301-111	XM-30 Bolt	3
7	AX/02-360-000	X-360 Airless Gun w/Tip 7/8" G	1
8	AX/05-200-154	15m Airless Paint Hose 1/4" 4000psi	1

AX/XM-301-106 PUMP PART DRAWING

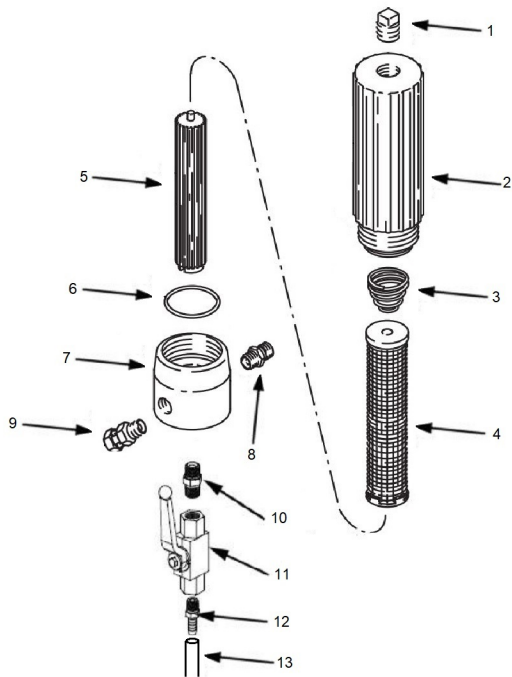


No.	Part	Description	Quantity
1	AX/XM-301-100	XM-30 Air Motor Complete	1
2	AX/XM-301-101	XM-30 Clip	1
3	AX/XM-301-102	XM-30 O-Ring	1
4	AX/XM-301-103	XM-30 Tie Rod	3
5	AX/XM-301-104	XM-30 Tie Rod Nut	3
6	AX/XM-301-105	XM-30 Complete Displacement Pump	1
7	AX/XM-301-106	XM-30 Complete Pump	1



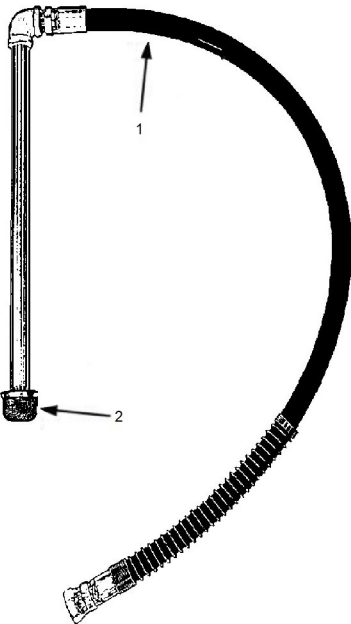
XM-30 Pneumatic Airless Sprayer

AX/XM-301-109 HIGH PRESSURE FILTER DRAWING



No.	Part	Description	Quantity
1	AX/XM-254-210	XM-Series-Filter Plug	1
2	AX/XM-301-109A	XM-Series Filter Bowl	1
3	AX/XM-254-203	XM-Series Filter Conical Spring	1
4	AX/G167-025	Filter Element 60 Mesh	1
5	AX/G186-075	Polyethylene Filter Support	1
6	AX/G104-361	O-Ring PTFE	1
7	AX/XM-301-109B	XM-Series Filter Base	1
8	AX/04-100-004	High Pressure Nipple	1
9	AX/04-200-405	High Pressure Swivel Adapter	1
10	AX/XM-254-209	XM-Series Filter Nipple	1
11	AX/XM-254-208	XM-Series Ball Valve	1
12	AX/XM-254-212	XM-Series Filter Hose Tail	1
13	AX/XM-301-110A	Return Hose Complete	1

AX/XM-301-110 SUCTION HOSE ASSEMBLY DRAWING

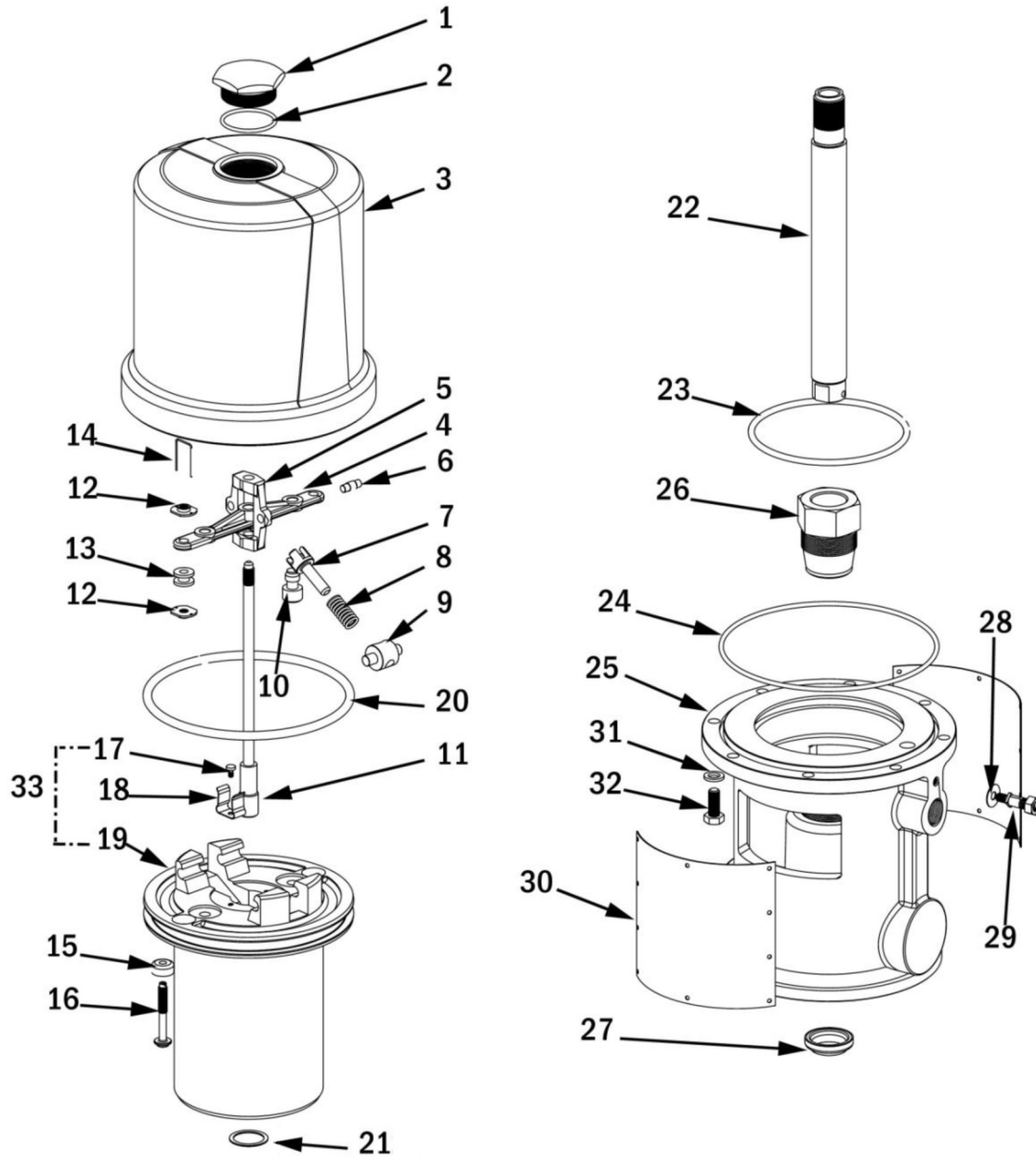


No.	Part	Description	Quantity
1	AX/XM-301-110	Complete Suction Hose Assembly & Filter	1
2	AX/G183-770	3/4" Double Screen Suction Filter	1



XM-30 Pneumatic Airless Sprayer

AX/XM-301-100 AIR MOTOR PART DRAWING

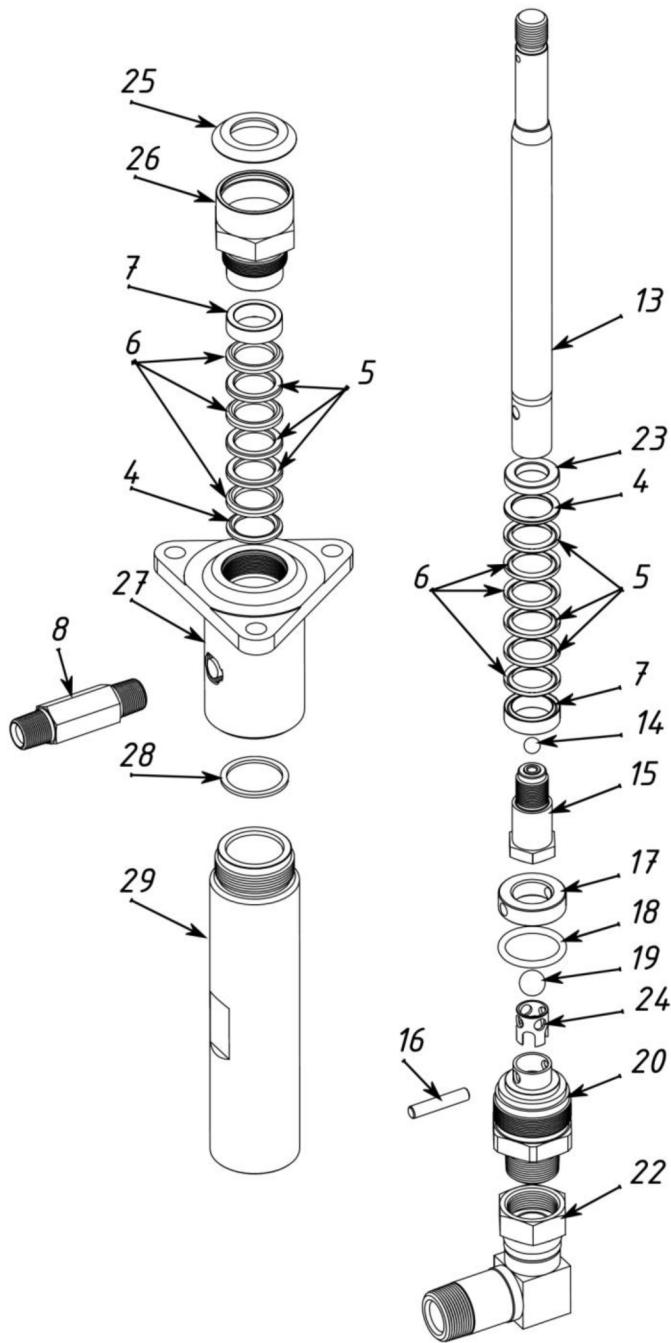


No.	Part	Description	Quantity	No.	Part	Description	Quantity
1	AX/XM-301-001A	XM-30 Nut, Cylinder Cap	1	18	AX/XM-301-018A	XM-30 Clip, Spring	2
2	AX/XM-301-002A	XM-30 O-Ring	1	19	AX/XM-301-019A	XM-30 Piston Ass'Y(Screw, Clip: Bare)	1
3	AX/XM-301-003A	XM-30 Cylinder Air Motor	1	20	AX/XM-301-020A	XM-30 O-Ring, Piston	1
4	AX/XM-301-004A	XM-30 Actuator, Valve	1	21	AX/XM-301-021A	XM-30 Gasket, Copper	1
5	AX/XM-301-005A	XM-30 Yoke	1	22	AX/XM-301-022A	XM-30 Rod, Piston	1
6	AX/XM-301-006A	XM-30 Pin, Toggle	2	23	AX/XM-301-023A	XM-30 O-Ring	1
7	AX/XM-301-007A	XM-30 Arm, Toggle	2	24	AX/XM-301-024A	XM-30 Seal	1
8	AX/XM-301-008A	XM-30 Spring	2	25	AX/XM-301-025A	XM-30 Base, Air Motor	1
9	AX/XM-301-009A	XM-30 Rocker, Toggle	2	26	AX/XM-301-026A	XM-30 Nut	1
10	AX/XM-301-010A	XM-30 Poppet, Valve	2	27	AX/XM-301-027A	XM-30 Dust Seal	1
11	AX/XM-301-011A	XM-30 Trip, Rod	1	28	AX/XM-301-028A	XM-30 Washer	1
12	AX/XM-301-012A	XM-30 Nut, Adjusting	4	29	AX/XM-301-029A	XM-30 Lug, Grounding	1
13	AX/XM-301-013A	XM-30 Grommet, Rubber	2	30	AX/XM-301-030A	XM-30 Plate, Identification	2
14	AX/XM-301-014A	XM-30 Lockwire	2	31	AX/XM-301-031A	XM-30 Washer	8
15	AX/XM-301-015A	XM-30 Poppet, Valve	2	32	AX/XM-301-032A	XM-30 Screw	8
16	AX/XM-301-016A	XM-30 Stem, Valve	2	33	AX/XM-300-000A	XM-30 Air Motor Repair Kit	
17	AX/XM-301-017A	XM-30 Screw	2			Includes Items 10, 12, 13, 14, 15, 16, 20, 23	



XM-30 Pneumatic Airless Sprayer

AX/XM-301-105 DISPLACEMENT

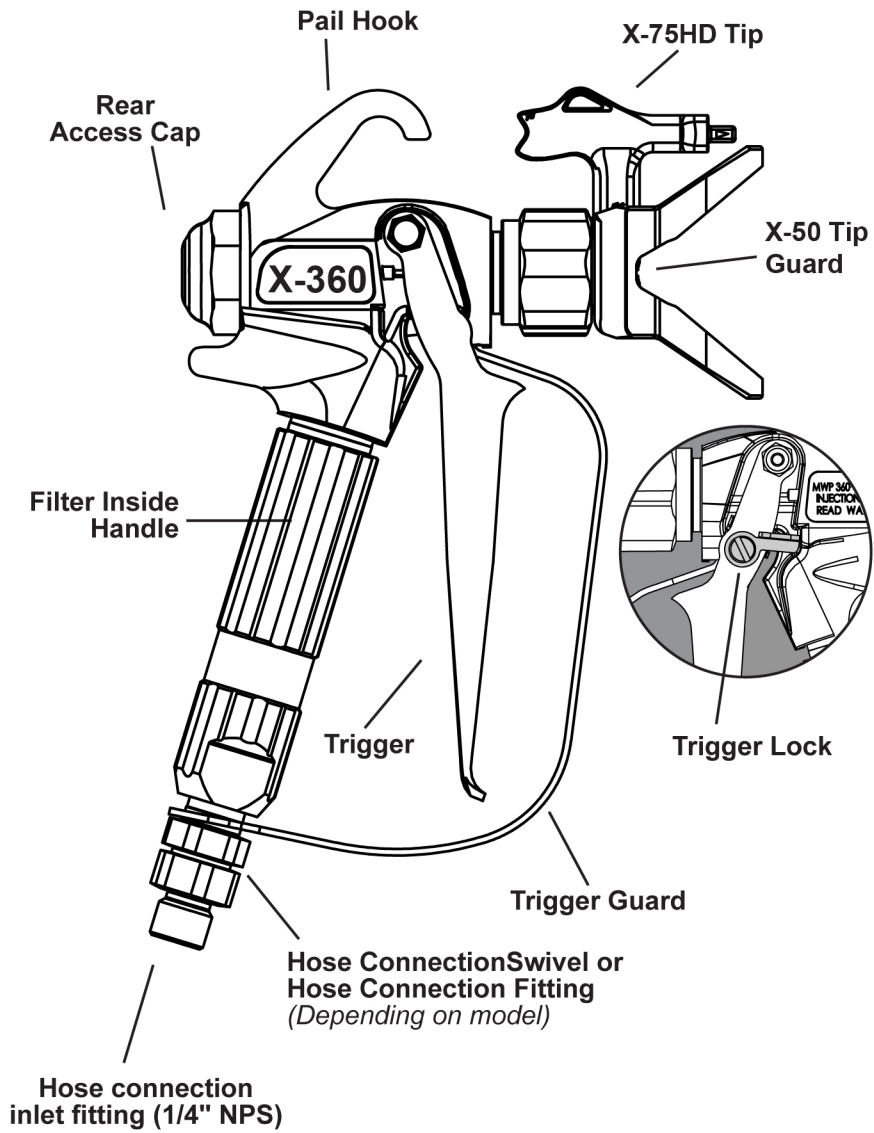


No.	Part	Description	Quantity
4	AX/XM-301-004F	XM-30 Gland(M)	2
5	AX/XM-301-005F	XM-30 V-Packing(L)	6
6	AX/XM-301-006F	XM-30 V-Packing(Teflon)	6
7	AX/XM-301-007F	XM-30 Gland(F)	2
8	AX/XM-301-008F	XM-30 Nipple	1
13	AX/XM-301-013F	XM-30 Displacement Rod	1
14	AX/XM-301-014F	XM-30 Ball(5/16")	1
15	AX/XM-301-015F	XM-30 Valve Piston	1
16	AX/XM-301-016F	XM-30 Pin	1
17	AX/XM-301-017F	XM-30 Retainer	1
18	AX/XM-301-018F	XM-30 Seal(Teflon)	1
19	AX/XM-301-019F	XM-30 Ball(1/2")	1
20	AX/XM-301-020F	XM-30 Intake Housing	1
22	AX/XM-301-022F	XM-30 Union,Elbow	1
23	AX/XM-301-023F	XM-30 Retainer,Rod	1
24	AX/XM-301-024F	XM-30 Ball Guide	1
25	AX/XM-301-025F	XM-30 Plug	1
26	AX/XM-301-026F	XM-30 Packing,Nut	1
27	AX/XM-301-027F	XM-30 Pump Housing	1
28	AX/XM-301-028F	XM-30 Packing	1
29	AX/XM-301-029F	XM-30 Unified Sleeve	1
	AX/XM-301-500	XM-30 Repair Kit Fluid	1
		Includes Items 4,5,6,7,14,18,19,28	



XM-30 Pneumatic Airless Sprayer

X-360 Spray Gun

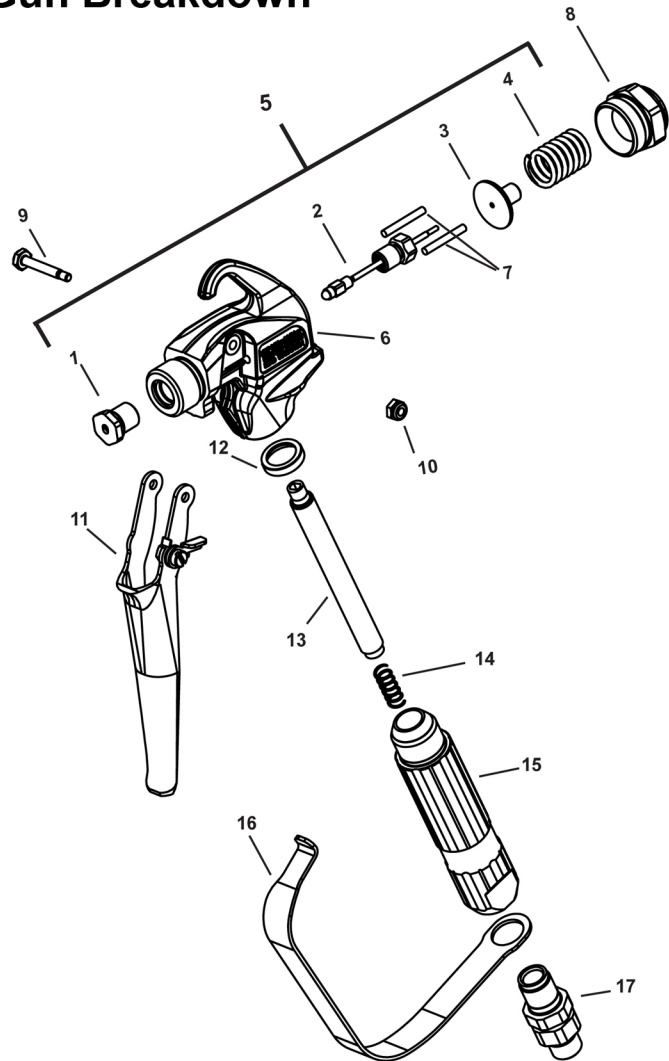


Part No. AX/02-360-000 shown in illustration above.



XM-30 Pneumatic Airless Sprayer

X-360 Spray Gun Breakdown



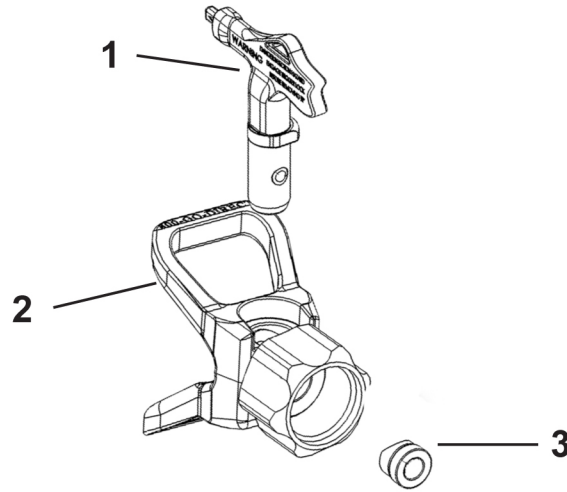
Parts List:

Item	Part#	Description	Quantity
1	Included in #5	Diffuser	1
2	Included in #5	Valve/Seal Assy.	1
3	Included in #5	Knob, Retractor	1
4	Included in #5	Spring, Seal Assy.	1
5	AX/02-360-500	KIT, Repair - (Parts 1-4)	
6	AX/02-360-501	Head, 7/8"	1
	AX/02-360-502	Head, 11/16"	
7	AX/02-360-503	Pins, Trigger	2
8	AX/02-360-504	Cap, Rear	1
9	AX/02-360-505	Shaft, Trigger	1
10	AX/02-360-506	Nut, Trigger Shaft	1
11	AX/02-360-507	Trigger Assy., 4-Finger	1
	AX/02-360-508	Trigger Assy., 2-Finger	
12	AX/02-360-509	Seal, Handle	1
13	AX/W0034377	Filter, 50 Mesh	1
14	AX/02-360-510	Spring, Filter	1
15	AX/02-360-511	Handle	1
16	AX/01-300-000	Guard Trigger	1
17	AX/02-360-513	Swivel 1/4" Hose Connection	1



XM-30 Pneumatic Airless Sprayer

Spray Tip and Guard Parts List



Parts List:			
Item	Part#	Description	Quantity
1	AX/01-200-XXX	X-75HD Reversible Tip	1
2	AX/01-300-000	X-50 5000psi Tip Guard 7/8"	1
	AX/01-300-001	X-50 5000psi Tip Guard 11/16"	1
3	AX/01-100-000	X Series Tip + Seal Gasket	1