

HVLP *EDGE II*[™] / *EDGE II Plus* Gun 3A4980B

EN

For the application of architectural paints and coatings. The HVLP Edge II Gun is not intended to be used on an external compressor. For professional use only.

Models: 17P481, 17P483, 17P484, 17P653, 17P654

10 psi (0.07 MPa, 0.7 bar) Maximum Air Working Pressure
50 psi (0.35 MPa, 3.5 bar) Maximum Fluid Working Pressure

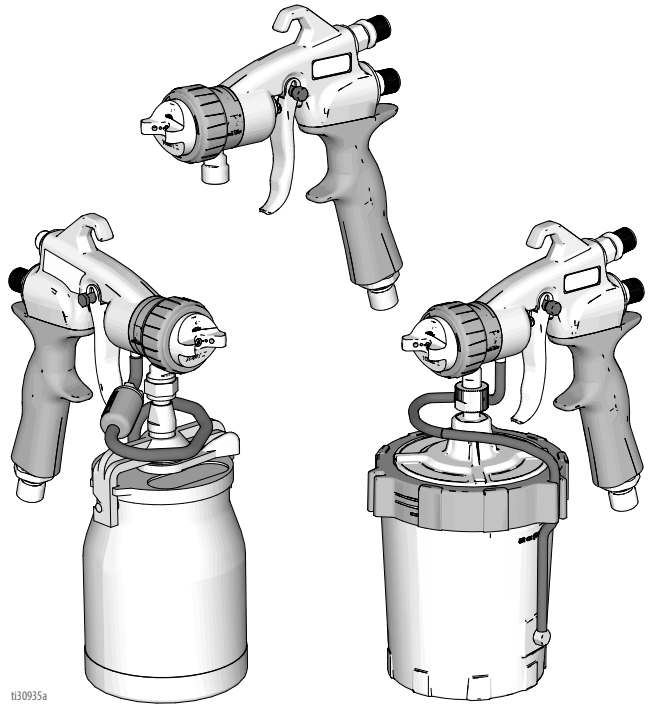


Important Safety Instructions

Read all warnings and instructions in this manual and your sprayer instruction manual. Be familiar with the controls and the proper usage of the equipment. Save these instructions.

Related Manuals:

3A4967	Graco FinishPro HVLP Sprayer
--------	------------------------------



t130935a



SERVICE
to every customer every time



?? www.graco.com/techsupport ??



Table of Contents

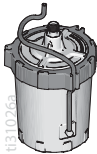

Table of Contents

Models	3
Key Features	3
Warnings	4
Know Your Spray Gun	6
EDGE II	6
EDGE II Plus	7
Pressure Relief Procedure	8
Setup	9
Fluid and Work Piece Preparation	9
Fluid Set Selection	9
Fluid Set Replacement	10
Startup	12
Fill FlexLiner System	12
Fill Siphon Cup	14
How to Spray	16
Adjust Spray Pattern	16
Adjust Flow and Pattern Size	16
Spray Techniques	17
Triggering Gun	18
Aiming Gun	18
Refilling FlexLiner	18
Refilling Siphon Cup	18
Cleanup	19
Troubleshooting	24
Parts	28
EDGE II	28
Parts List - EDGE II	29
Parts	30
EDGE II Plus	30
Parts List - EDGE II Plus	31
Parts	32
FlexLiner System & Siphon Cup Assembly	32
Parts List	33
FlexLiner System	33
Siphon Cup Assembly	33
Technical Specifications	34
Graco Standard Warranty	35
Graco Information	36

Models

Key Features

Edge II	<ul style="list-style-type: none"> • Combines fluid and air flow into one simple control. • Optimized to spray the majority of fine finish applications. • Quick adjustment and indicator for repeatable spray setting.
Edge II Plus	<ul style="list-style-type: none"> • Ultimate control for customized fine finish applications. • Independent fluid and air flow controls. • Additional pattern size control. • Compatible with SmartStart feature on Graco FinishPro HVLP ProContractor and ProComp sprayers
FlexLiner System	<ul style="list-style-type: none"> • Allows user to spray gun at any angle without cup adjustment. • Reduces cleaning time with disposable liner and no siphon tube. • Quick change cup connection.
Siphon Cup	<ul style="list-style-type: none"> • Traditional metal HVLP fluid cup.

Model	Provided with:		
	FlexLiner System	Siphon Cup	No cup*
			
Edge II	17P481	17P653	
Edge II Plus	17P483	17P484	17P654

*Configured for use with remote cup (sold separately)

Warnings

Warnings

The following warnings are for the setup, use, grounding, maintenance, and repair of this equipment. The exclamation point symbol alerts you to a general warning and the hazard symbols refer to procedure-specific risks. When these symbols appear in the body of this manual or on warning labels, refer back to these Warnings. Product-specific hazard symbols and warnings not covered in this section may appear throughout the body of this manual where applicable.

WARNING



FIRE AND EXPLOSION HAZARD

Flammable fumes, such as solvent and paint fumes, in work area can ignite or explode. To help prevent fire and explosion:



- Do not spray flammable or combustible materials near an open flame or sources of ignition such as cigarettes, motors, electrical equipment, and plastic drop cloths (potential static sparking).



- Turbine motor generates sparks. Keep sprayer in a well ventilated area at least 20 feet (6 m) from the spray area when spraying, flushing, cleaning, or servicing. Do not spray pump assembly.



- Connect to a grounded outlet and use grounded extensions cords. Do not use a 3-to-2 adapter.

- Do not use a paint or a solvent containing halogenated hydrocarbons.

- Do not spray flammable or combustible liquids in a confined area.

- Keep spray area well-ventilated. Keep a good supply of fresh air moving through the area.

- Do not smoke in the spray area or spray where sparks or flame is present.

- Do not operate light switches, engines, or similar spark producing products in the spray area.

- Keep area clean and free of paint or solvent containers, rags, and other flammable materials.

- Know the contents of the paints and solvents being sprayed. Read all Safety Data Sheets (SDSs) and container labels provided with the paints and solvents. Follow the paint and solvents manufacturer's safety instructions.

- Keep a working fire extinguisher in the work area.



PRESSURIZED EQUIPMENT HAZARD

Fluid from the equipment, leaks, or ruptured components can splash in the eyes or on skin and cause serious injury.



- Follow the **Pressure Relief Procedure** when you stop spraying/dispensing and before cleaning, checking, or servicing equipment.








- Tighten all fluid connections before operating the equipment.



- Check hoses, tubes, and couplings daily. Replace worn or damaged parts immediately.

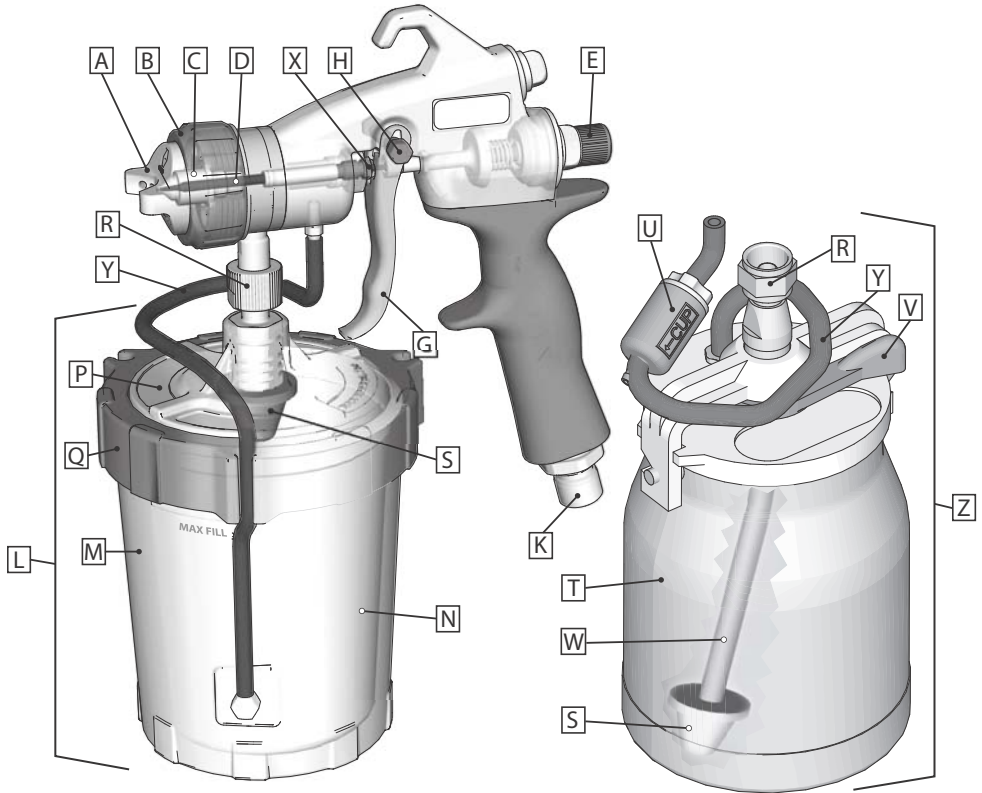
WARNING

 	<p>EQUIPMENT MISUSE HAZARD</p> <p>Misuse can cause death or serious injury.</p> <ul style="list-style-type: none"> • Always wear appropriate gloves, eye protection, and a respirator or mask when painting. • Do not operate or spray near children. Keep children away from equipment at all times. • Do not overreach or stand on an unstable support. Keep effective footing and balance at all times. • Stay alert and watch what you are doing. • Do not operate the unit when fatigued or under the influence of drugs or alcohol. • Do not kink or over-bend the hose. • Do not expose the hose to temperatures or to pressures in excess of those specified by Graco. • Do not use the hose as a strength member to pull or lift the equipment. • Do not alter or modify equipment. Alterations or modifications may void agency approvals and create safety hazards. • Make sure all equipment is rated and approved for the environment in which you are using it.
	<p>PRESSURIZED ALUMINUM PARTS HAZARD</p> <p>Use of fluids that are incompatible with aluminum in pressurized equipment can cause serious chemical reaction and equipment rupture. Failure to follow this warning can result in death, serious injury, or property damage.</p> <ul style="list-style-type: none"> • Do not use 1,1,1-trichloroethane, methylene chloride, other halogenated hydrocarbon solvents or fluids containing such solvents. • Do not use chlorine bleach. • Many other fluids may contain chemicals that can react with aluminum. Contact your material supplier for compatibility.
	<p>TOXIC FLUID OR FUMES HAZARD</p> <p>Toxic fluids or fumes can cause serious injury or death if splashed in the eyes or on skin, inhaled, or swallowed.</p> <ul style="list-style-type: none"> • Read SDSs to know the specific hazards of the fluids you are using. • Store hazardous fluid in approved containers, and dispose of it according to applicable guidelines.
	<p>PERSONAL PROTECTIVE EQUIPMENT</p> <p>Wear appropriate protective equipment when in the work area to help prevent serious injury, including eye injury, hearing loss, inhalation of toxic fumes, and burns. This protective equipment includes but is not limited to:</p> <ul style="list-style-type: none"> • Protective eyewear, and hearing protection. • Respirators, protective clothing, and gloves as recommended by the fluid and solvent manufacturer.
	<p>CALIFORNIA PROPOSITION 65</p> <p>This product contains a chemical known to the State of California to cause cancer, birth defects or other reproductive harm. Wash hands after handling.</p>

Know Your Spray Gun

Know Your Spray Gun

EDGE II

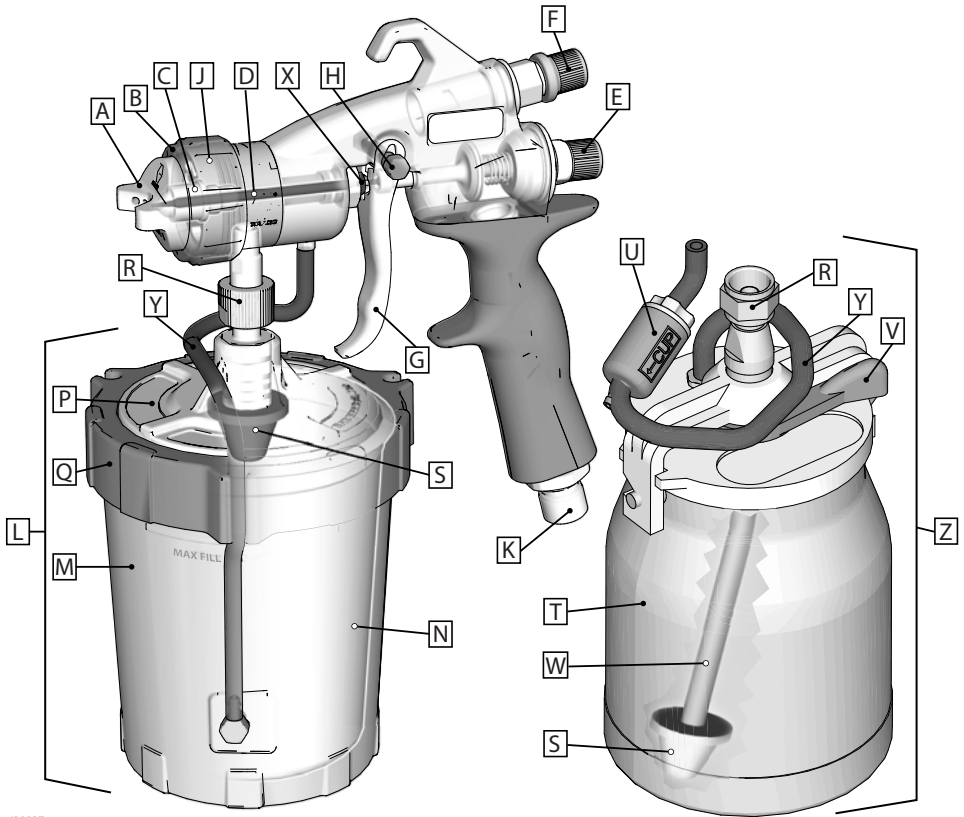


ti30936a

A	Edge II Air Cap
B	Retaining Ring
C	Fluid Nozzle
D	Fluid Needle
E	Fluid / Air Flow Control Knob
G	EasyGlide™ Trigger
H	Trigger Slide
K	Air Inlet
L	FlexLiner System
M	FlexLiner Cup
N	FlexLiner

P	FlexLiner Cover
Q	FlexLiner Ring
R	Cup Fitting
S	Material Strainer
T	Siphon Cup
U	Quick Clean Check Valve
V	Latch
W	Swivel Tube
X	Packing Nut
Y	Spray Gun Tubing
Z	Siphon Cup Assembly

EDGE II Plus



t30937a

A	Edge II Air Cap
B	Retaining Ring / Pattern Size Control
C	Fluid Nozzle
D	Fluid Needle
E	Fluid Flow Control Knob
F	Air Flow Control Knob
G	EasyGlide™ Trigger
H	Trigger Slide
J	Air Cap Guide
K	Air Inlet
L	FlexLiner System
M	FlexLiner Cup

N	FlexLiner
P	FlexLiner Cover
Q	FlexLiner Ring
R	Cup Fitting
S	Material Strainer
T	Siphon Cup
U	Quick Clean Check Valve
V	Latch
W	Swivel Tube
X	Packing Nut
Y	Spray Gun Tubing
Z	Siphon Cup Assembly

Pressure Relief Procedure

Pressure Relief Procedure

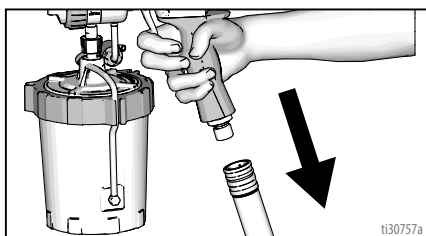


Follow the Pressure Relief Procedure whenever you see this symbol.



The spray gun cup is pressurized. To reduce the risk of splashing from pressurized fluid, always follow the **Pressure Relief Procedure** before removing cup.

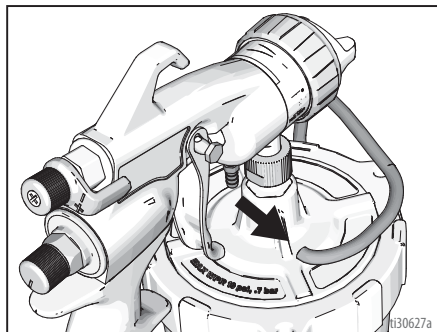
1. Turn the HVLP sprayer ON/OFF switch to **OFF** position.
2. Unplug power cord to disconnect power from the HVLP sprayer.
3. Disconnect spray gun from air hose.



NOTE: If using a remote cup, refer to manual provided with cup. If using with a Graco FinishPro HVLP ProComp sprayer, reference sprayer manual.

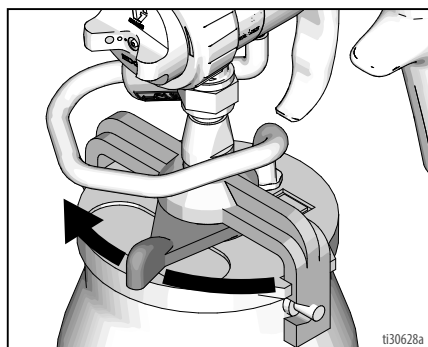
4. If using a FlexLiner System:

Disconnect tubing from gun to relieve pressure in the cup.



5. If using a metal siphon cup:

Unlatch cup cover, loosen or remove cup from cover to relieve pressure.



Setup

Fluid and Work Piece Preparation

- Strain fluids before spraying. This includes colors, reducers and hardeners.
- Use a slower drying reducer or thinner to compensate for the faster drying time caused by the warm air of the turbine. Do not over reduce.
- Spray performance varies with the viscosity of the material sprayed, HVLP sprayer, and length of hose.

- Most material manufacturers provide recommendations for their materials. Follow these recommendations.
- For proper adhesion, ensure surface of work piece is completely clean.

Fluid Set Selection

For best spray performance, select proper fluid set for fluid being sprayed. Reference the **Fluid Set Selection Guide** for the fluid set recommended for your application. Fluid set numbers are marked on fluid needles and nozzles.

FLUID SET SELECTION GUIDE

Material	Fluid Set #2 17P485	Fluid Set #3 17P486	Fluid Set #4 17P487	Fluid Set #5 17P488	Fluid Set #6 17P489	Fluid Set #7 17P490
Dye	██████████					
Ink	██████████					
Non-wiping Stain	██████████					
Automotive Finish	████████████████████					
Lacquer		████████████████████				
Stain		████████████████████				
Enamel		████████████████████		████████████████████		
Epoxy		████████████████████		████████████████████		
Urethane		████████████████████		████████████████████		
Varnish		████████████████████		████████████████████		
Primer			████████████████████	████████████████████		
Industrial Finishes				████████████████████	████████████████████	████████████████████
Latex				████████████████████	████████████████████	████████████████████
Multi-Spec				████████████████████	████████████████████	████████████████████
Butyrate					████████████████████	████████████████████
Nitrate Dope					████████████████████	████████████████████
Oil Wall Paint					████████████████████	████████████████████

t30938a

Setup

Fluid Set Replacement

Removal

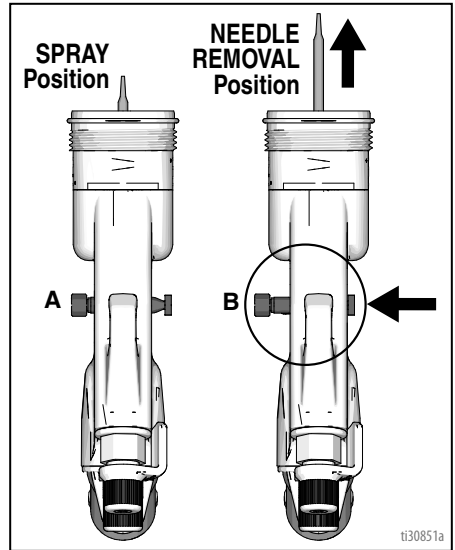
1. Perform **Pressure Relief Procedure**, page 8.
2. Remove retaining ring and air cap.
3. Trigger the gun and remove fluid nozzle.

NOTICE

Trigger the gun whenever removing or installing the fluid nozzle. This prevents the fluid nozzle and needle seating surfaces from being damaged.

NOTE: Edge II Plus guns contain air cap guide and spring held in place by fluid nozzle. Upon removal of fluid nozzle, set aside air cap guide and spring.

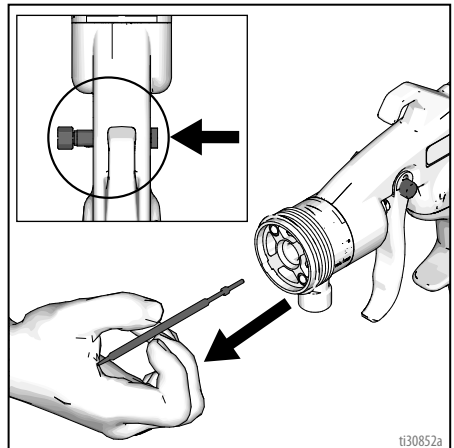
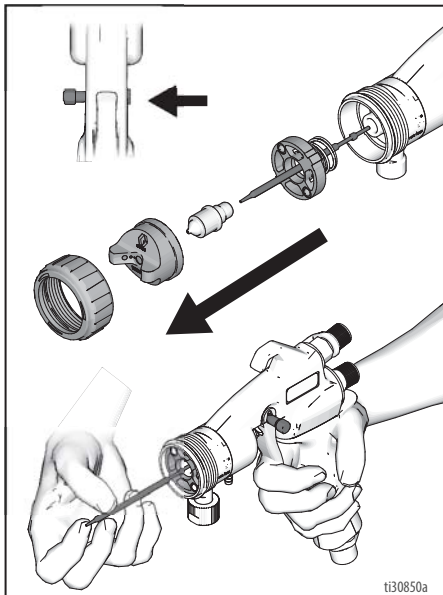
4. Move trigger slide from **SPRAY** position (A) to **NEEDLE REMOVAL** position (B).



5. Remove needle from front of gun.

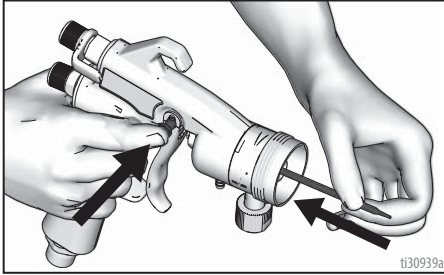
NOTICE

Do not use a pliers to remove needle. Damage to the needle tip will cause leaking at the fluid nozzle.

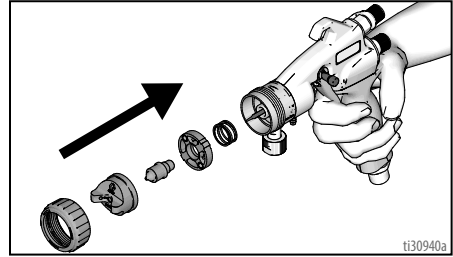


Installation

1. Insert needle and move trigger slide from NEEDLE REMOVAL position (B) to SPRAY position (A).



2. Trigger the gun and install air cap guide with spring (Edge II Plus only), and fluid nozzle.
3. Install air cap and retaining ring.

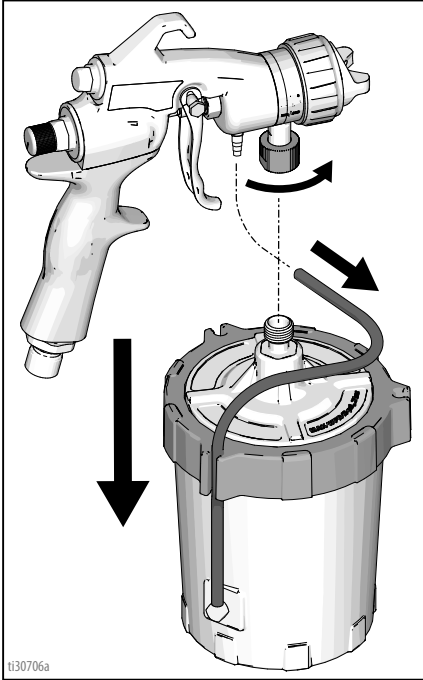


Startup

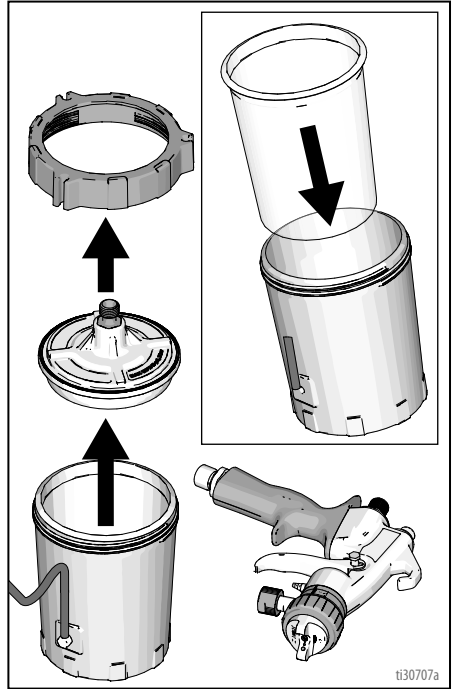
Startup

Fill FlexLiner System

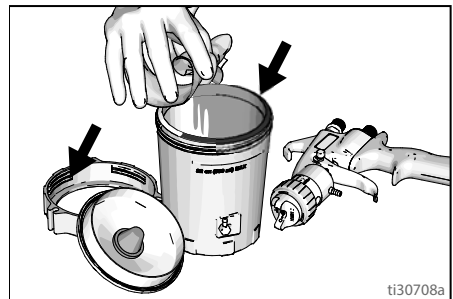
1. Disconnect gun from FlexLiner System.



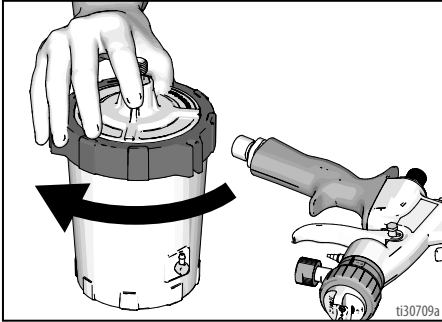
2. Loosen ring from cup. Remove cover and ring from cup. Verify FlexLiner remains in cup upon removal of cover and ring.



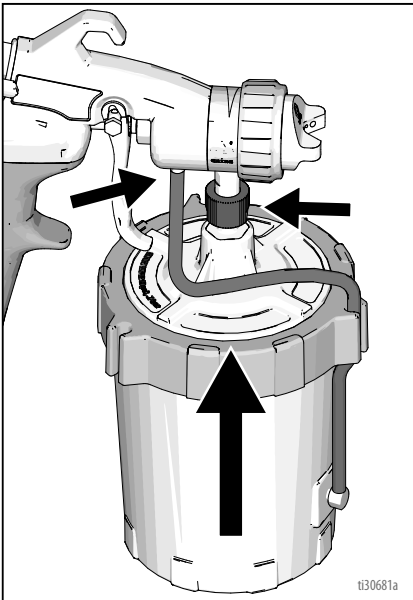
3. Fill FlexLiner with material to "MAX FILL" line. Clean threads and sealing surfaces of FlexLiner System.



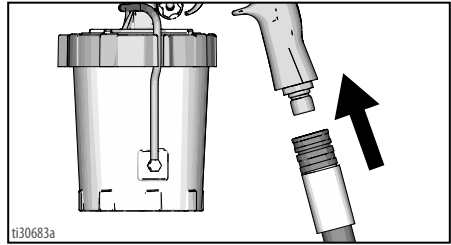
4. Install cover and ring onto cup. Tighten ring securely.



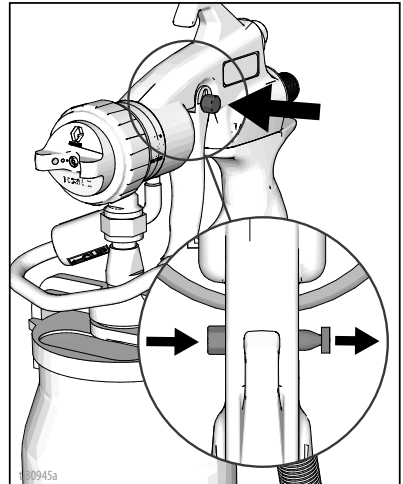
5. Connect FlexLiner System to gun.



6. Connect air hose to inlet fitting of gun.

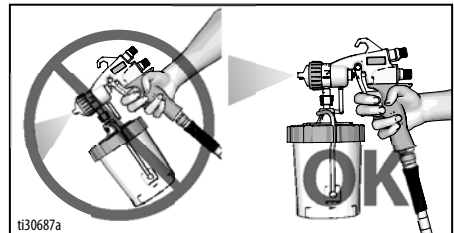


7. Verify trigger slide is in SPRAY position (A).



8. With HVLP sprayer powered **ON**, point gun into a waste area. Evacuate air from FlexLiner System by holding gun vertically and pull trigger open until a continuous spray pattern is observed.

NOTE: Tilt gun back and forth to help in evacuation of air.

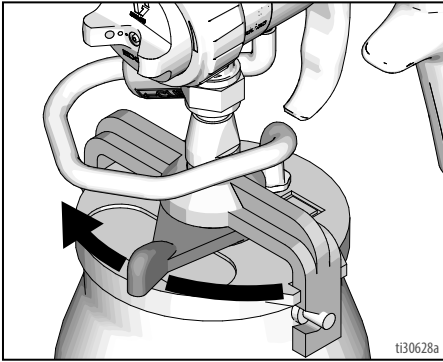


9. You are now ready to spray. Reference **How to Spray**, page 16.

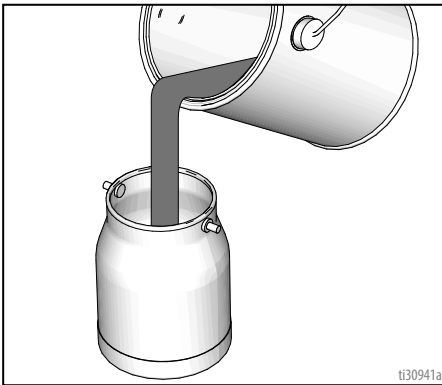
Startup

Fill Siphon Cup

1. Unlatch cup cover and remove from siphon cup.



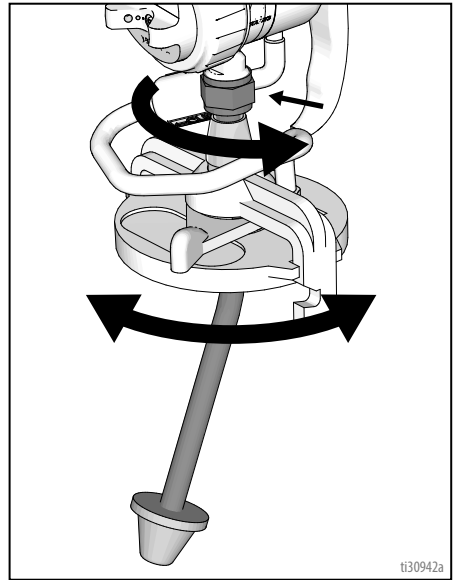
2. Fill siphon cup with material.



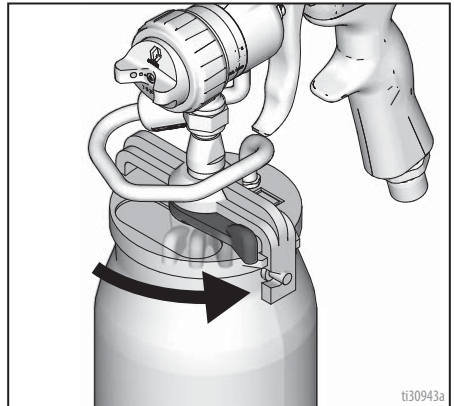
3. Verify siphon tube is positioned in ideal location for desired spray orientation. If adjustment is necessary:

- a. Loosen nut, rotate cup cover to attain desired siphon tube position.

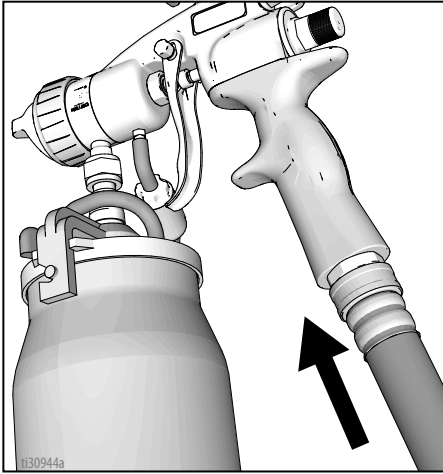
- b. Tighten nut.



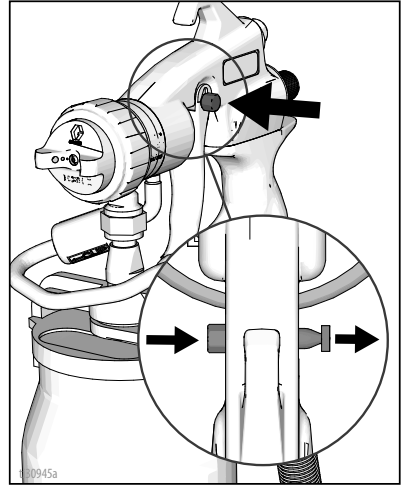
4. Latch cup cover to siphon cup.



5. Connect sprayer air hose to air inlet of gun.



6. Verify trigger slide is in SPRAY position (A).



7. You are now ready to spray. Reference **How to Spray**, page 16.

How to Spray

How to Spray



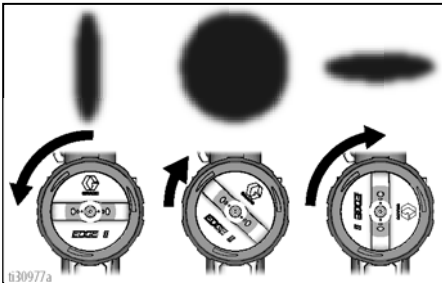
The turbine motor generates sparks. These sparks can ignite flammable fumes.

- Keep sprayer in a well ventilated area.
- Keep sprayer at least 20 feet (6m) from spray area. Use additional hose if necessary.

Take a few moments prior to spraying and review these tips to ensure your spraying project is a success.

Adjust Spray Pattern

Set air cap to position for spray pattern desired.

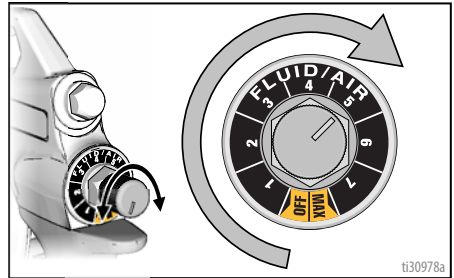


Adjust Flow and Pattern Size

Edge II

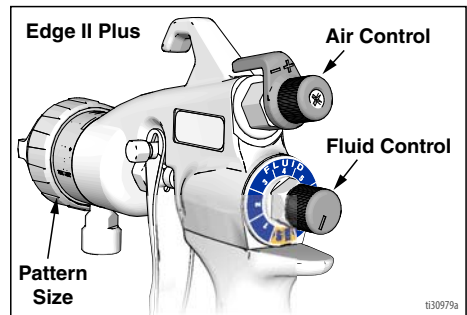
Fluid/Air Control:

Flow and pattern size is determined by adjustment to the Fluid/Air control knob. Set knob to OFF. Increase flow until desired finish is attained.



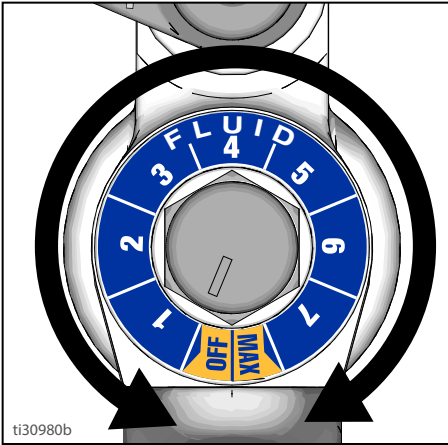
Edge II Plus

Flow and pattern size is determined by adjustment to the Fluid, Air and Pattern Size controls.



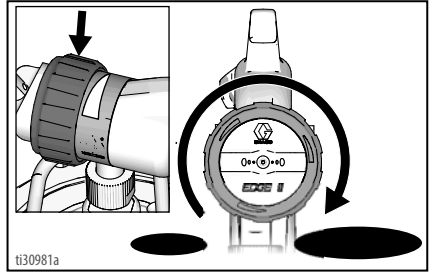
Fluid Control:

Set knob to OFF. Increase fluid until desired flow is attained.



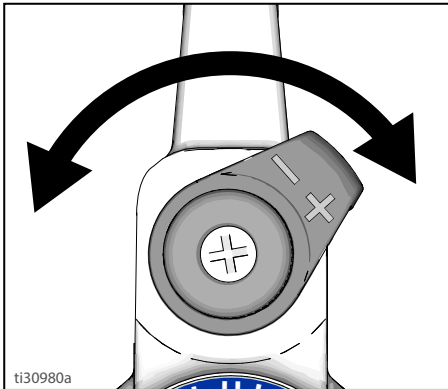
Pattern Size Control:

Additional control of the pattern size is available by rotation of the air cap retaining ring. Start with the fluid nozzle flush with the center surface of the air cap. Pattern size can be adjusted by rotating the retaining ring in either direction.



Air Control:

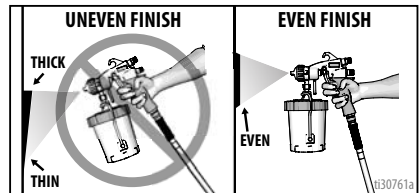
Start with air control at the + position. To decrease atomization of fluid, adjust air control toward the - position.



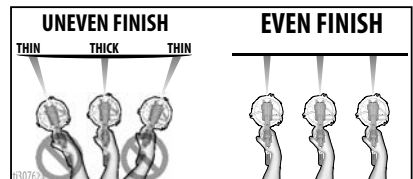
Spray Techniques

Use a piece of scrap cardboard to practice spraying techniques before spraying the work piece.

- Always spray with the least amount of pressure required to provide the desired spray pattern and rate of application. Spraying at pressures higher than necessary wastes material and can result in an orange peel finish.
- Aim gun straight at surface. Tilting gun to direct spray angle causes an uneven finish.



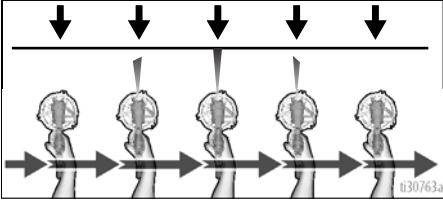
- Flex wrist to keep gun pointed straight. Fanning gun to direct spray at angle causes uneven finish.



How to Spray

Triggering Gun

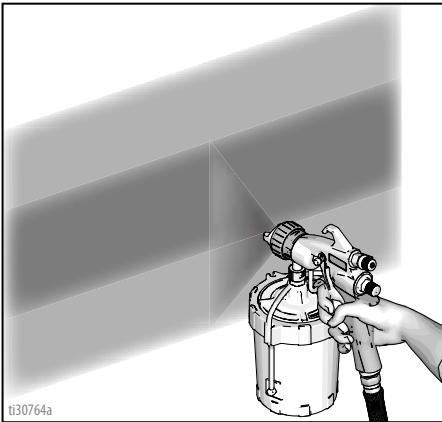
Pull trigger after starting stroke. Release trigger before end of strike. Gun must be moving when trigger is pulled and released.



NOTE: To prevent uneven spray pattern, start and end stroke off of work piece surface.

Aiming Gun

Aim center of spray gun at bottom edge of previous stroke, overlapping each stroke by half.



If gun does not spray, reference **Troubleshooting**, page 24.

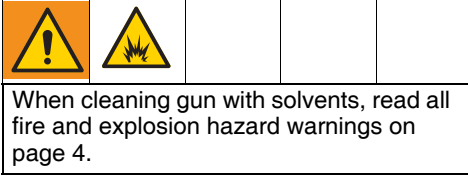
Refilling FlexLiner

1. Perform **Pressure Relief Procedure**, page 8.
2. Reference **Fill FlexLiner System**, page 12.

Refilling Siphon Cup

1. Perform **Pressure Relief Procedure**, page 8.
2. Reference **Fill Siphon Cup**, page 14.

Cleanup



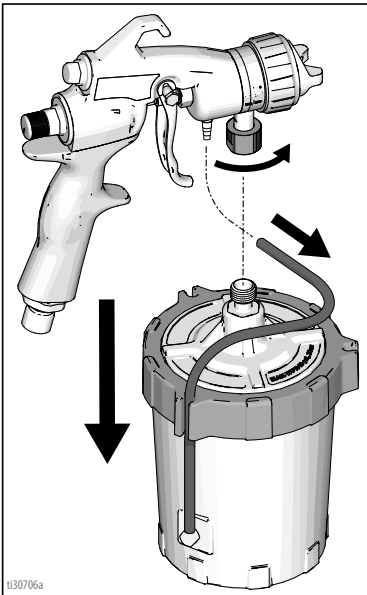
Cleaning the gun after every job is important. Proper care and maintenance results in optimal spray performance.

Cleaning FlexLiner System

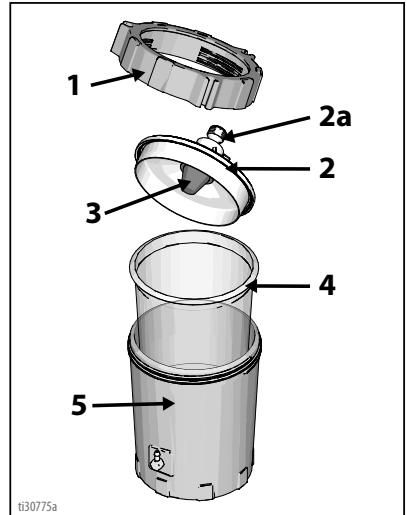
NOTICE

Strong solvents, such as lacquer thinner, can damage parts of the FlexLiner System. Do NOT immerse parts of the FlexLiner System in solvent.

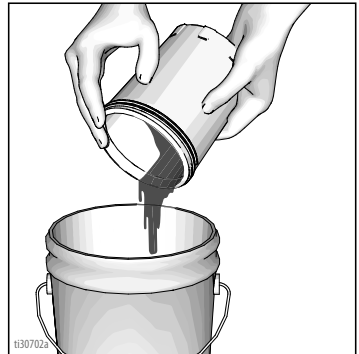
1. Perform **Pressure Relief Procedure**, page 8.
2. Disconnect gun from FlexLiner system.



3. Loosen ring (1) from cup (5). Remove ring (1) and cover (2) from cup. Verify FlexLiner (4) remains in cup upon removal of cover and ring.



4. Return excess fluid to original container. Hold the FlexLiner (4) in place when pouring.

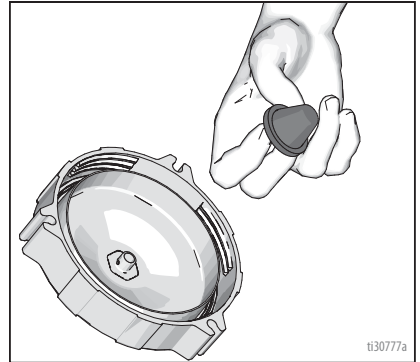


Cleanup

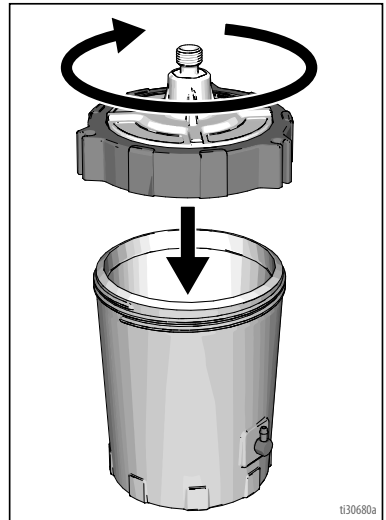
5. It is recommended to dispose of the used FlexLiner (4) and install a new one. If reusing, clean by wiping all excess fluid from FlexLiner (4).



7. Fill the FlexLiner (4) approximately half-full with cleaning fluid (warm water or appropriate solvent).
8. Remove and clean material strainer (3) by flushing with cleaning fluid. Re-install material strainer (3).



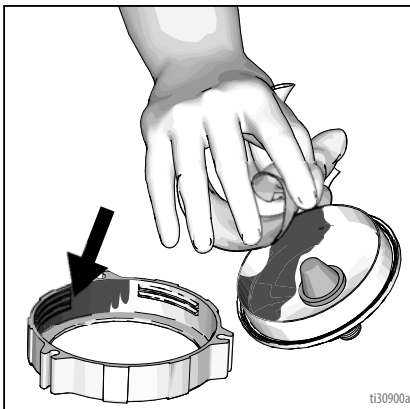
9. Install cover (2) and ring (1) onto cup (5).



NOTICE

Dispose of FlexLiner, cleaning materials, and unused fluid according to local regulations. Refer to Safety Data Sheet (SDS) of fluids used.

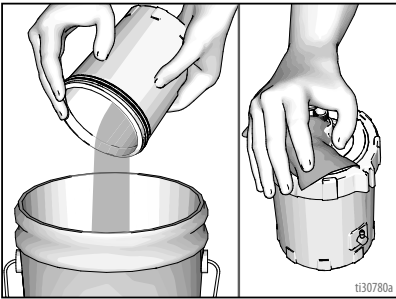
6. Wipe excess fluid from cover (2) and ring (1) of FlexLiner System.



- Cover cup fitting (2a) with a rag, shake the entire FlexLiner System for a minimum of ten seconds.

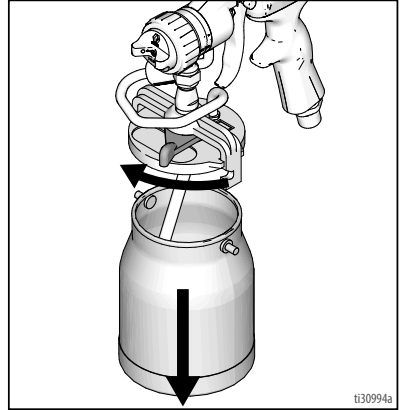


- Wipe clean and dry all components of FlexLiner System. Properly dispose of cleaning fluid.

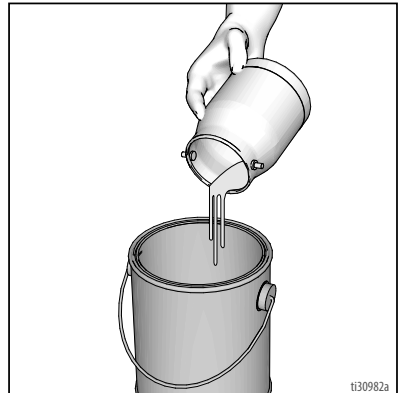


Cleaning Siphon Cup

- Perform **Pressure Relief Procedure**, page 8.
- Disconnect gun from siphon cup.



- Unlatch and remove cup cover from siphon cup. Return excess fluid to original container.

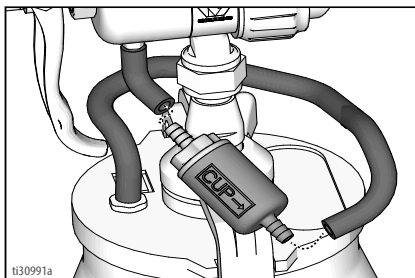


- Wipe excess fluid from cup, cover and siphon tube.
- Fill cup quarter-full with cleaning fluid (warm water or appropriate solvent).
- Latch cover to cup.
- Cover cup fitting with a rag. Shake cup assembly for a minimum of ten seconds.
- Wipe clean and dry all components of siphon cup assembly. Properly dispose of cleaning fluid.

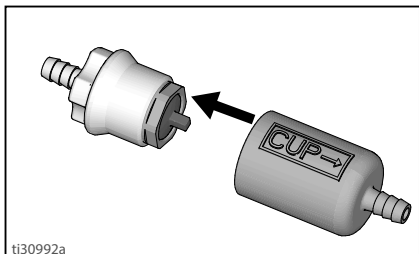
Cleanup

Cleaning Quick Clean Check Valve (Siphon Cup only)

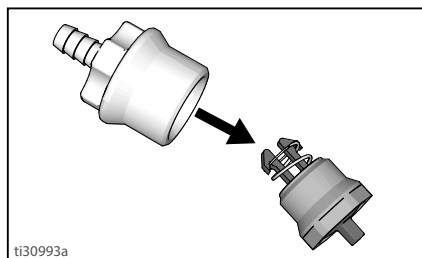
1. Disconnect check valve from gun tubing



2. Unscrew check valve.



3. Unscrew poppet valve from check valve.



4. Clean all parts in solvent recommended by spray material manufacturer.
5. After all parts are dry, apply a light coat of petroleum jelly on the o-ring.
6. Assemble check valve. Install check valve to gun tubing. Verify proper orientation of check valve.

Cleaning HVLP Edge II Gun

NOTICE

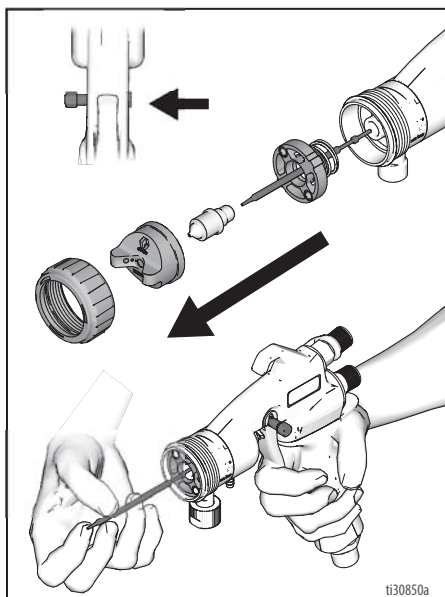
Strong solvents, such as lacquer thinner, can damage parts of the HVLP Edge II gun. Do NOT immerse parts of the HVLP Edge II gun in solvent.

1. Remove retaining ring and air cap.
2. Trigger the gun and remove fluid nozzle from gun.

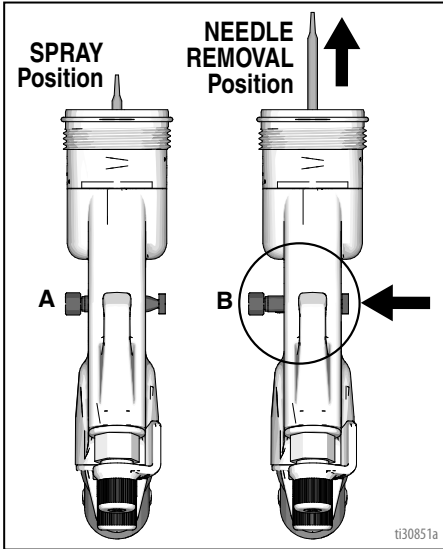
NOTICE

Trigger the gun whenever removing or installing the fluid nozzle. This prevents the fluid nozzle and needle seating surfaces from being damaged.

NOTE: Edge II Plus guns contain air cap guide and spring held in place by fluid nozzle. Upon removal of fluid nozzle, set aside air cap guide and spring.



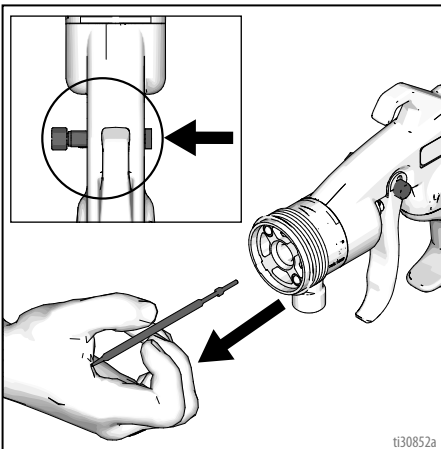
3. Move trigger slide from SPRAY position (A) to NEEDLE REMOVAL position (B).



4. Remove needle from front of gun.

NOTICE

Do not use a pliers to remove needle. Damage to the needle tip will cause leaking at the fluid nozzle.

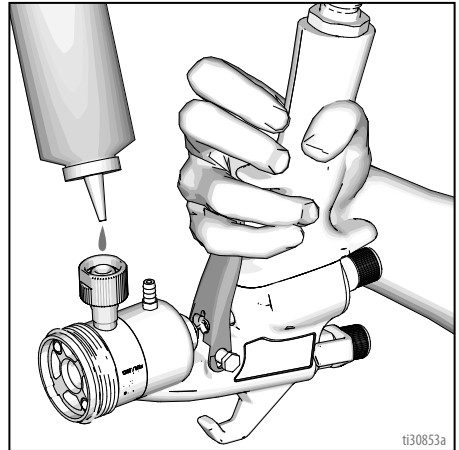


5. Wipe or flush fluid from nozzle and needle. If necessary, clean retaining ring, air cap, air cap guide, and spring.

NOTICE

Do not use metal tools to clean the fluid nozzle or air cap holes as this may scratch them, causing fluid leaks and a distorted spray pattern.

6. Using a squeeze bottle, flush cleaning fluid through the gun. Hold the gun upside down, pull the trigger, and dispense cleaning fluid into the cup connection.



7. Re-install needle and move trigger slide from NEEDLE REMOVAL position (B) to SPRAY position (A).
8. Trigger the gun and install spring, air cap guide, and fluid nozzle. Install air cap and retaining ring.

Troubleshooting

Troubleshooting



Problem	Cause	Solution
Orange peel finish - Paint surface not smooth	Paint droplets too large	<ul style="list-style-type: none"> • Adjust fluid control knob on gun to reduce fluid. • Spray further from work piece. • Keep turbine air filters clean to allow full air flow. • Do not use an air hose that is too long to provide sufficient atomization pressure.
	Paint droplets drying too fast to properly flow out of gun	Keep object being sprayed out of direct sunlight. When spraying in warmer temperatures, use a slower evaporating solvent or a reducer.
	Cold weather spraying	Keep fluid and object being sprayed as close to room temperature as possible. When spraying on a cold surface, most paints will become too thick to flow properly.
Blushing - clear coatings appear milky	Moisture condensation is trapped in lacquer when spraying in hot, humid conditions	<ul style="list-style-type: none"> • Allow turbine to warm up a few minutes before spraying. • Store lacquer off concrete floors, at room temperature. • Apply lighter coats and allow for proper drying time. • Use a slower evaporating solvent or reducer. • Do not spray in windy conditions.
Fish eyes - small pools on painted surface that will not fill	Silicone contamination from lubricants, grease, polish, or waxes on the surface being sprayed	Clean all parts with a cleaning solvent; wipe with a solvent rag and a clean rag. Replace rags as needed. If problem persists, use a fish eye eliminator.
Runs and sags	Applying too much paint per pass for the drying conditions	<ul style="list-style-type: none"> • Move gun faster or decrease fluid flow. • Spray further from work piece. • Reduce amount of thinner or use a faster drying thinner.

Problem	Cause	Solution	
Solvent pops or bubbles	Sprayed surface drying before solvent gas can be released	<ul style="list-style-type: none"> • Apply fluid in lighter coats to allow for proper evaporation. • Use the recommended thinners. • Follow the solutions for Orange Peel Finish, Paint Droplets Too Large in this Troubleshooting Table. 	
No or slow fluid flow, intermittent spray, or fluttering spray	No material	Check cup for material, see Startup , page 12.	
	Trigger pin in UNLOCK position	Check trigger pin location. Must be in SPRAY position.	
	Wrong size fluid set being used	Select proper fluid set for fluid being sprayed. Reference Fluid Set Selection , page 9.	
	Gun fluid nozzle blocked by dried paint or damaged	Clean or replace fluid nozzle	
	No cup pressurization		Tighten cover or replace gasket (siphon cup only)
			Check for leaks in FlexLiner System. See "FlexLiner System" section, page 27.
	Cup fitting or siphon tube (in siphon cup) blocked by dried paint or is damaged		Clean cup fitting, material strainer and siphon tube (if applicable)
			Check for obstructions in gun tubing. Clean or replace gun tubing if necessary.
	Air flow to cup blocked	Siphon cup: Remove cup (leave cover connected). Trigger gun and check air flow out of check valve. If air is not flowing freely, clean or replace check valve.	
	Fluid in the check valve (siphon cup only)	Clean check valve. Reference Cleaning Quick Clean Check Valve (Siphon Cup only) , page 22.	
Plugged material strainer	Replace material strainer if plugged or remove if material is highly viscous.		
Needle packings not properly adjusted. Note: Fluid loss through packings affects fluid pressure and causes a fluid leak from gun body.	Clean gun body with solvent and brush provided. Adjust needle packing.		
Fluid leaks at fluid nozzle after trigger is released	Needle not seating in fluid nozzle	Check for a loose fluid nozzle or a bent nozzle or needle; tighten nozzle or replace parts as needed.	
	Packing nut is too tight	Loosen packing nut slowly until needle returns freely.	
Poor spray pattern	Air cap horn hole and/or fluid nozzle plugged	Soak air cap and/or fluid nozzle in solvent. Clean air cap horn holes with non-metallic item to avoid permanently damaging them.	

Troubleshooting

Problem	Cause	Solution
Fluid leaks at packing nut	Packing nut is loose	Tighten packing nut slightly and re-test. Repeat until packing seals completely.
Needle does not return after trigger is released or is slow to return	Packing nut is too tight	Loosen packing nut slowly until needle returns freely.
Sprayer does not automatically shut-off while in SmartStart setting (Graco Finish HVLP ProContractor and ProComp models only)	Leaking air hose connections	Verify air hose and attached components are those shipped with the sprayer.
		Disconnect air hoses. Verify o-ring is present inside connection fitting at turbine end of hose. If using a whip hose, verify gasket is present inside connection fitting. Securely connect all hose connections.
		Replace with Graco HVLP accessories, if necessary. See separate sprayer manual 3A4967.
	Gun leaking air	Verify use of Edge II Plus gun.
		If SmartStart functions when air valve at end of hose is closed, clean gun. See Cleaning HVLP Edge II Gun , page 22.
		Verify fluid valve is tight. See page 31 (ref. 16).
Replace fluid valve o-ring. See page 31 (ref. 18).		
Replace air valve. See page 31 (ref. 12).		

Problem	Cause	Solution
FlexLiner System:		
FlexLiner does not collapse or collapses slowly	Dirty sealing surfaces	Remove ring, clean sealing surfaces, securely install ring. See Fill FlexLiner System , page 12.
	Incorrect or no air cap installed on gun	Verify Edge II air cap is installed.
	Air cap is loose	Edge II: Verify retaining ring is fully installed.
		Edge II Plus: Verify retaining ring is installed to a position that does not result in a loose air cap.
	Air Control/Artisan Valve (if installed) is set too low for desired application	Rotate control clockwise to increase air flow, until the desired flow is achieved.
	Gun tubing	Verify gun tubing is properly connected between the cup and gun.
		Verify gun tubing is not kinked.
Air leaking from cup	Damaged tubing. Remove damaged section of tubing. Replace tubing as necessary. See separate HVLP Edge II gun manual.	
	Damaged connection between cup and air fitting. Verify fitting is fully installed. If necessary, replace FlexLiner System. See separate HVLP Edge II gun manual.	
Fluid leaking between cup and ring	Cup filled too full	Verify cup is not filled above "MAX FILL" line.
	Dirty sealing surfaces	Remove ring, clean sealing surfaces, securely install ring. See Fill FlexLiner System , page 12.
Fluid leaking between cup and gun	Loose cup connection	Tighten connection. Use wrench as needed.
	Damaged o-ring on cup connection	Replace o-ring. Apply grease to o-ring to aid in assembly.
Fluid present at bottom of cup	FlexLiner not installed	Install FlexLiner.
	Damaged FlexLiner	Replace FlexLiner.
Pulsing spray pattern	Air not fully evacuated from FlexLiner System.	See step 7 of Startup , page 12.

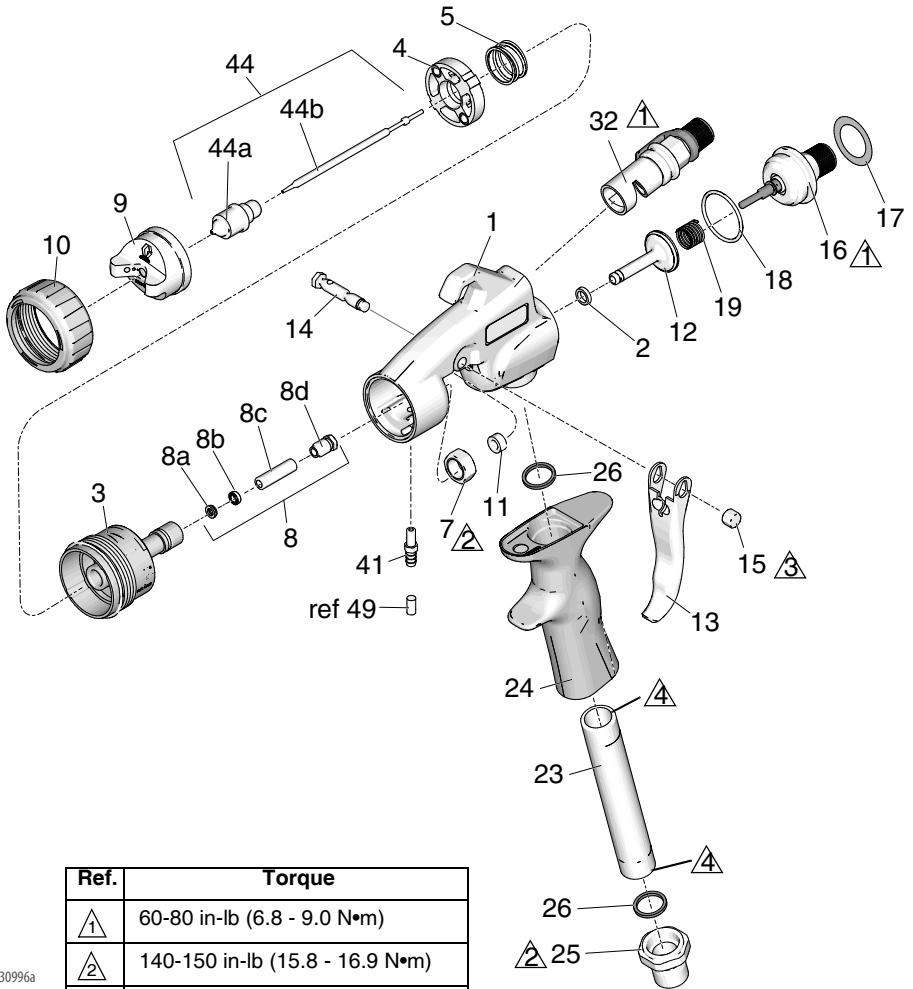
Parts List - EDGE II

Ref Part	Description	Qty	Ref Part	Description	Qty
1	256858 BODY, gun	1	14	280545 PIN, slide, trigger, w/ball	1
2	188493 PACKING, u-cup, gun	1	15	15V848 NUT, slide, trigger, pin	1
3	17P715 HOUSING, nozzle	1	16	17S237 VALVE, fluid (includes 17)	1
7	192348 NUT, head	1	17	17S201 LABEL, fluid/air	1
8	256960 KIT, packing (includes 8a, 8b, 8c, 8d)	1	19	114069 SPRING, compression	1
8a	SPREADER, u-cup	1	23	196463 TUBE, handle	1
8b	PACKING, u-cup	1	24	277950 HANDLE, gun	1
8c	SPACER, packing	1	25	17R207 COUPLER, male	1
8d	NUT, head	1	32	15V844 HOUSING, plug, fluid	1
9	17P709 HOUSING, air, cap	1	41	M70394 STEM, air pressure	1
10	17P492 RING, retaining, cap, air	1	44	FLUID SET; See Fluid Set Selection Guide, page 9.	
11	15V856 NUT, valve	1	44a	NOZZLE, fluid	1
12	257087 VALVE, air (includes 2, 11)	1	44b	NEEDLE	1
13	15V846 TRIGGER	1	50	113500 ADHESIVE	

Parts

Parts

EDGE II Plus



Ref.	Torque
1	60-80 in-lb (6.8 - 9.0 N•m)
2	140-150 in-lb (15.8 - 16.9 N•m)
3	20-30 in-lb (2.3 - 3.4 N•m)
4	Apply adhesive, Ref. 50

ti30996a

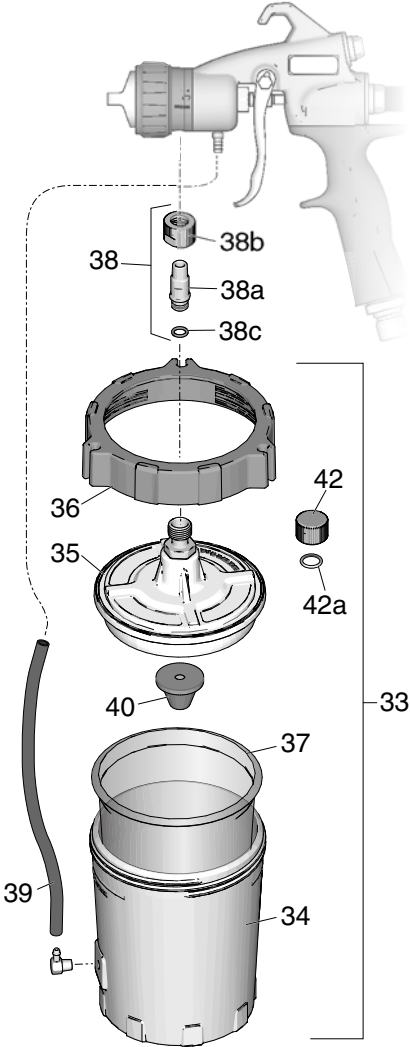
Parts List - EDGE II Plus

Ref Part	Description	Qty	Ref Part	Description	Qty
1	17H061 BODY, gun	1	15	15V848 NUT, slide, trigger, pin	1
2	188493 PACKING, u-cup, gun	1	16	17P718 VALVE, fluid (includes 17, 18)	1
3	17P716 HOUSING, nozzle	1	17	17S202 LABEL, fluid	1
4	17P563 GUIDE, air cap, assembly	1	18	110073 O-RING	1
5	17H063 SPRING, air cap	1	19	114069 SPRING, compression	1
7	192348 NUT, head	1	23	196463 TUBE, handle	1
8	256960 KIT, packing (includes 8a, 8b, 8c, 8d)	1	24	277950 HANDLE, gun	1
8a	SPREADER, u-cup	1	25	17R207 COUPLER, male	1
8b	PACKING, u-cup	1	26	17P879 GASKET, handle	2
8c	SPACER, packing	1	32	17S192 CONTROL, air	1
8d	NUT, head	1	41	M70394 STEM, air pressure	1
9	17P709 HOUSING, air, cap	1	44	FLUID SET; See Fluid Set Selection Guide, page 9.	
10	17P493 RING, retaining, cap, air	1	44a	NOZZLE, fluid	1
11	15V856 NUT, valve	1	44b	NEEDLE	1
12	17P717 VALVE, air (includes 2, 11)	1	49	257099 SCREW, set, sch (model 17P654)	1
13	15V846 TRIGGER	1	50	113500 ADHESIVE	
14	280545 PIN, slide, trigger, w/ball	1			

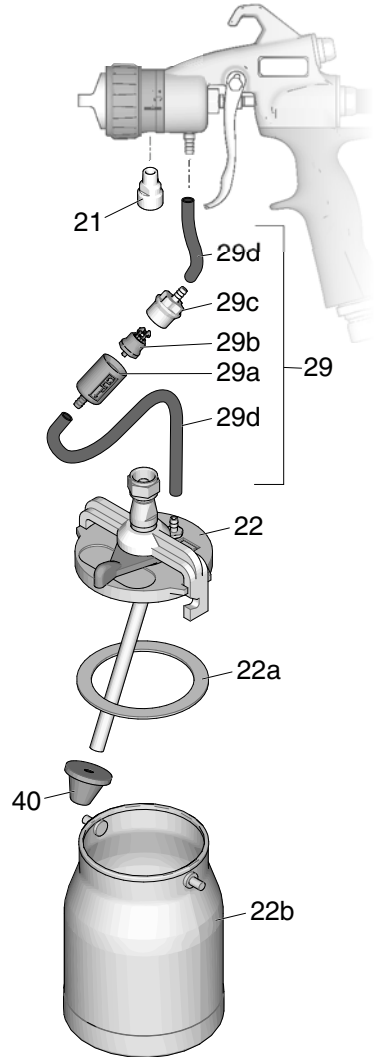
Parts

FlexLiner System & Siphon Cup Assembly

FLEXLINER SYSTEM



SIPHON CUP ASSEMBLY



ti30998a

Parts List

FlexLiner System

Ref Part	Description	Qty
33 17R462	KIT, FlexLiner System (includes 34, 35, 36, 37, 39, 40, 42)	1
34	CUP	1
35 17P222	COVER	1
36 17P237	RING	1
37	FlexLiner	1
17A226	3 pack	
17P212	25 pack	
38 17R799	KIT, adapter, FlexLiner (includes 38a, 38b, 38c, 41)	1
38a	FITTING, adapter	1
38b	NUT, adapter	1
38c 113137	PACKING, o-ring	1
39 17S108	TUBE, air, cup	1
40 193218	STRAINER	1
42 17S166	CAP (sold separately), includes 42a	1
42a 111507	ORING (sold separately)	1

Siphon Cup Assembly

Ref Part	Description	Qty
21 196468	FITTING, adapter	1
22 244130	CUP, 1qt, under (includes 22a, 22b, 29)	1
22a M70424	CUP, gasket	1
22b 244132	CUP, bottom	1
29 256957	CHECK VALVE, complete, includes 29a, 29b*, 29c, 29d	1
29a	FITTING, adapter	1
29b*	POPPET, check valve assembly	1
29c	FITTING, air	1
29d	TUBE, air, cup	2
40 193218	STRAINER	1

* *Three-pack Check Valve Repair Kit 256956 is available*

Technical Specifications

Technical Specifications

EDGE II / EDGE II Plus		
	US	Metric
Sprayer		
Maximum working air pressure	10 psi	0.07 MPa, 0.7 bar
Maximum working fluid pressure	50 psi	0.35 MPa, 3.5 bar
Air inlet	Quick - disconnect	
Fluid Inlet		
FlexLiner System	5/8-16 UN-2A	
Siphon/Remote Cup	3/8-18 npsm	
Weight		
Edge II / Edge II Plus (gun only)	20 oz.	570 g
FlexLiner System	15 oz.	425 g
Siphon Cup Assembly	17 oz.	480 g
Noise*		
Sound pressure	65.0 dBa	
Sound power	65.0 dBa	
Wetted Materials of Construction		
Edge II / Edge II Plus (gun only)	stainless steel, aluminum, ultra-high molecular weight polyethylene (UHMWPE), acetal, fluoroelastomer	
FlexLiner System	stainless steel, Grilamid, polyethylene, low-density polyethylene (LDPE)	
Siphon Cup	stainless steel, brass, zinc-plated carbon steel, aluminum, polyethylene	
Notes		
<i>*Sound pressure measured 3 feet (1 meter) from equipment. Sound power measured per ISO-3744.</i>		

Graco Standard Warranty

Graco warrants all equipment referenced in this document which is manufactured by Graco and bearing its name to be free from defects in material and workmanship on the date of sale to the original purchaser for use. With the exception of any special, extended, or limited warranty published by Graco, Graco will, for a period of twelve months from the date of sale, repair or replace any part of the equipment determined by Graco to be defective. This warranty applies only when the equipment is installed, operated and maintained in accordance with Graco's written recommendations.

This warranty does not cover, and Graco shall not be liable for general wear and tear, or any malfunction, damage or wear caused by faulty installation, misapplication, abrasion, corrosion, inadequate or improper maintenance, negligence, accident, tampering, or substitution of non-Graco component parts. Nor shall Graco be liable for malfunction, damage or wear caused by the incompatibility of Graco equipment with structures, accessories, equipment or materials not supplied by Graco, or the improper design, manufacture, installation, operation or maintenance of structures, accessories, equipment or materials not supplied by Graco.

This warranty is conditioned upon the prepaid return of the equipment claimed to be defective to an authorized Graco distributor for verification of the claimed defect. If the claimed defect is verified, Graco will repair or replace free of charge any defective parts. The equipment will be returned to the original purchaser transportation prepaid. If inspection of the equipment does not disclose any defect in material or workmanship, repairs will be made at a reasonable charge, which charges may include the costs of parts, labor, and transportation.

THIS WARRANTY IS EXCLUSIVE, AND IS IN LIEU OF ANY OTHER WARRANTIES, EXPRESS OR IMPLIED, INCLUDING BUT NOT LIMITED TO WARRANTY OF MERCHANTABILITY OR WARRANTY OF FITNESS FOR A PARTICULAR PURPOSE.

Graco's sole obligation and buyer's sole remedy for any breach of warranty shall be as set forth above. The buyer agrees that no other remedy (including, but not limited to, incidental or consequential damages for lost profits, lost sales, injury to person or property, or any other incidental or consequential loss) shall be available. Any action for breach of warranty must be brought within two (2) years of the date of sale.

GRACO MAKES NO WARRANTY, AND DISCLAIMS ALL IMPLIED WARRANTIES OF MERCHANTABILITY AND FITNESS FOR A PARTICULAR PURPOSE, IN CONNECTION WITH ACCESSORIES, EQUIPMENT, MATERIALS OR COMPONENTS SOLD BUT NOT MANUFACTURED BY GRACO. These items sold, but not manufactured by Graco (such as electric motors, switches, hose, etc.), are subject to the warranty, if any, of their manufacturer. Graco will provide purchaser with reasonable assistance in making any claim for breach of these warranties.

In no event will Graco be liable for indirect, incidental, special or consequential damages resulting from Graco supplying equipment hereunder, or the furnishing, performance, or use of any products or other goods sold hereto, whether due to a breach of contract, breach of warranty, the negligence of Graco, or otherwise.

FOR GRACO CANADA CUSTOMERS

The Parties acknowledge that they have required that the present document, as well as all documents, notices and legal proceedings entered into, given or instituted pursuant hereto or relating directly or indirectly hereto, be drawn up in English. Les parties reconnaissent avoir convenu que la rédaction du présente document sera en Anglais, ainsi que tous documents, avis et procédures judiciaires exécutés, donnés ou intentés, à la suite de ou en rapport, directement ou indirectement, avec les procédures concernées.

Graco Information

For the latest information about Graco products, visit www.graco.com.

For patent information, see www.graco.com/patents.

TO PLACE AN ORDER, contact your Graco distributor or call 1-800-690-2894 to identify the nearest distributor.

All written and visual data contained in this document reflects the latest product information available at the time of publication.

Graco reserves the right to make changes at any time without notice.

Original instructions. This manual contains English. MM 3A4980

Graco Headquarters: Minneapolis
International Offices: Belgium, China, Japan, Korea

GRACO INC. AND SUBSIDIARIES • P.O. BOX 1441 • MINNEAPOLIS MN 55440-1441 • USA

Copyright 2014, Graco Inc. All Graco manufacturing locations are registered to ISO 9001.

www.graco.com
Revision B, September 2017