

GH™ Series Big Rig Sprayers

332158H
EN

- Use with Architectural Coatings, Paints, Roof Coatings and Below Grade Coatings -

Model	Description	Maximum Working Pressure
16U277	GH1017es Bare	1000 psi (6.9 MPa, 69 bar)
16U278	GH2570es Bare	2500 psi (17.2 MPa, 172 bar)
16U279	GH733es Bare	4000 psi (27.6 MPa, 276 bar)
16U280	GH5040es Bare	5000 psi (34.5 MPa, 345 bar)
16U285	GH933es Bare	7250 psi (50.0 MPa, 500 bar)
16U281	GH933 Bare	7250 psi (50.0 MPa, 500 bar)
17B484	GH933es Bare, no filter	7250 psi (50.0 MPa, 500 bar)
25P366	GH933 Bare, China	7250 psi (50.0 MPa, 500 bar)



Important Safety Instructions

Read all warnings and instructions in this manual. Save these instructions.

Related Manuals:



311254
312145



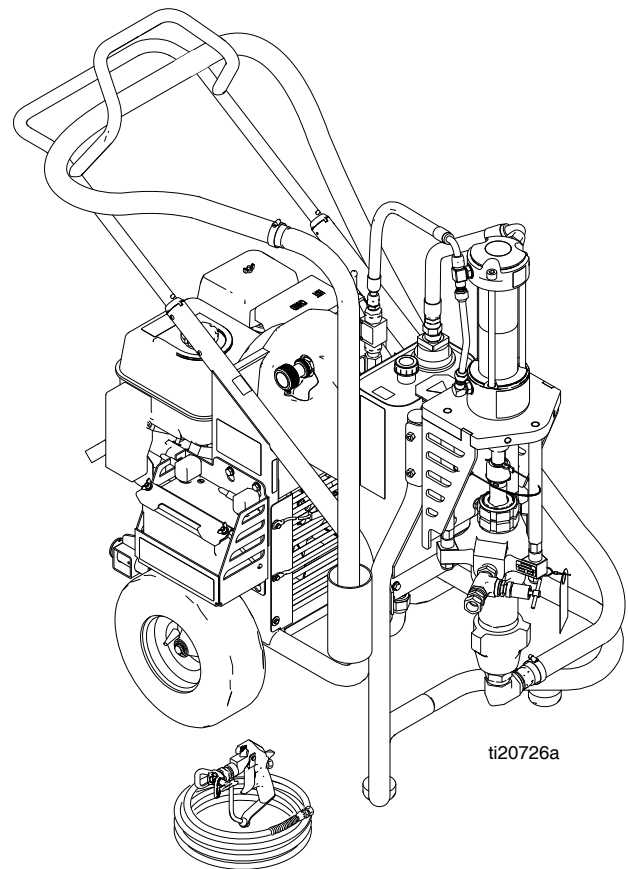
332156



332158



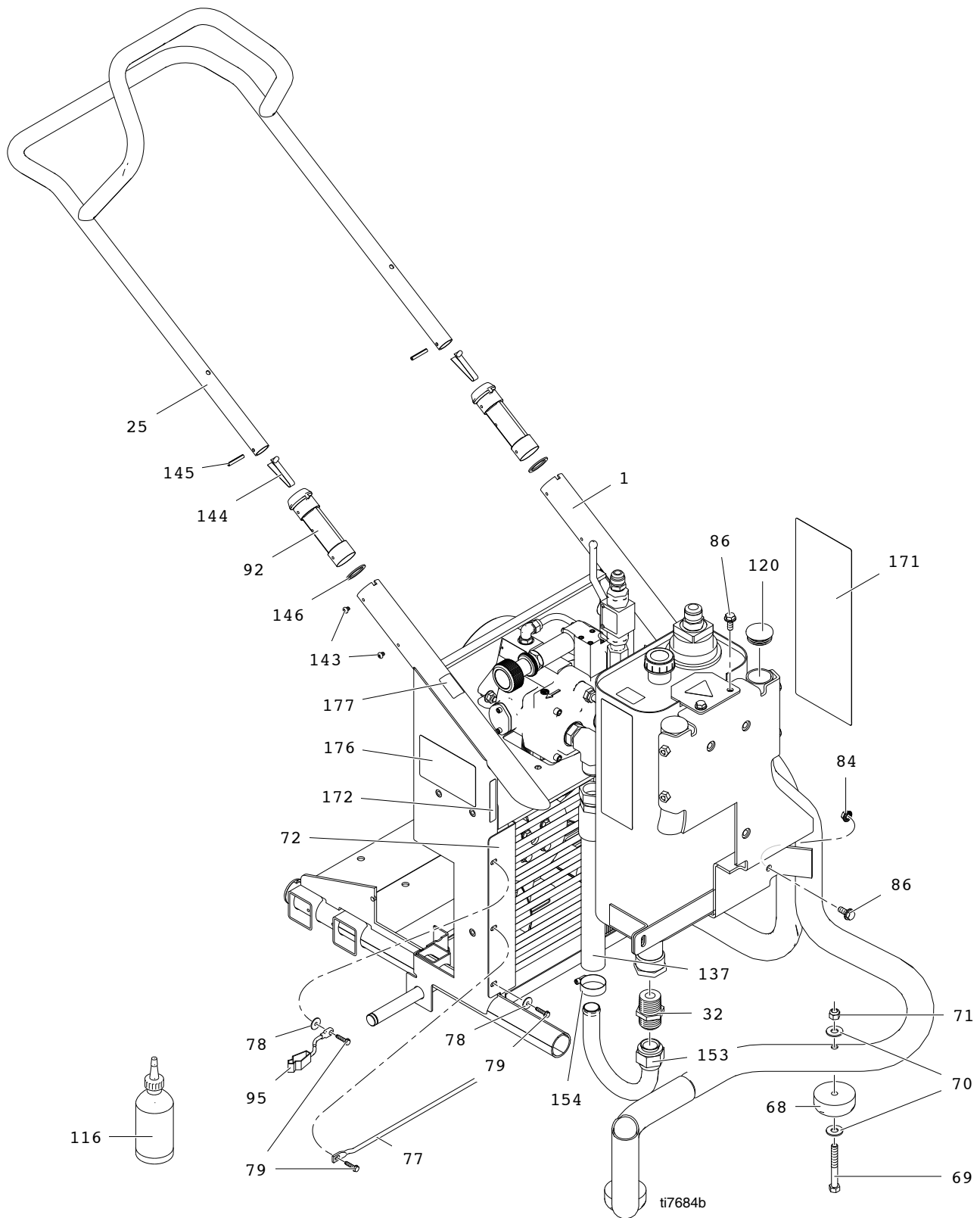
308043
311825
311762



ti20726a



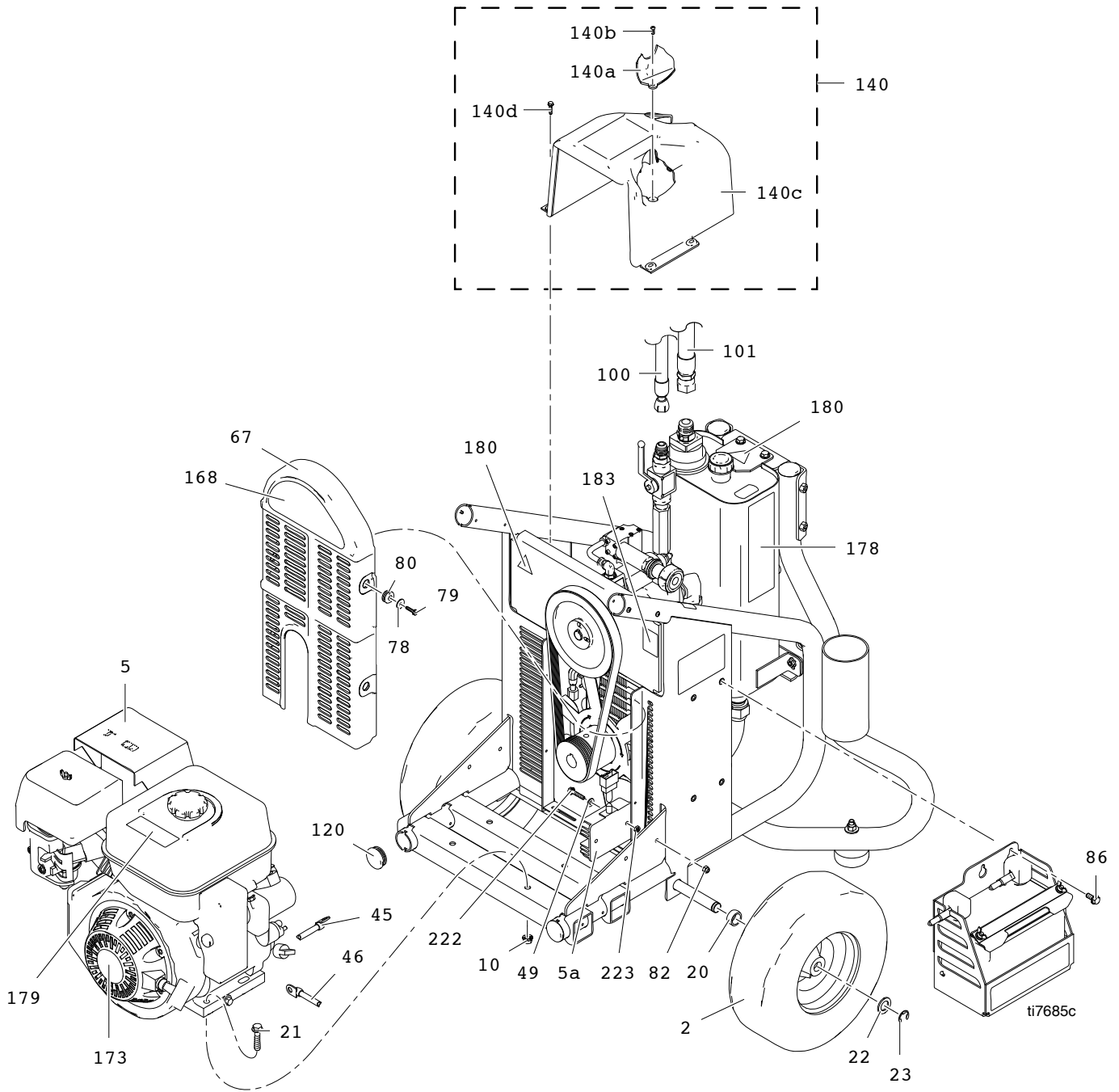
Frame



Parts List

Ref.	Part	Description	Qty.	Ref.	Part	Description	Qty.
1	15G839	FRAME, GH833, painted	1	171	16U561	LABEL, brand, GH1017, side (Model 16U277)	1
25	287797	HANDLE, weldment, GH833	1	16U563	LABEL, brand, GH2570, side (Model 16U278)	1	
32	120068	FITTING, hydraulic	1	16U566	LABEL, brand, GH733, side (Model 16U279)	1	
68	801504	FOOT, rubber	2	16U568	LABEL, brand, GH5040, side (Model 16U280)	1	
69	100454	SCREW, cap hex hd	2	16U560	LABEL, brand, GH933, side (Model 16U285)	1	
70	100132	WASHER, flat	4	16U560	LABEL, brand, GH933, side (Model 16U281)	2	
71	101566	NUT, lock	2	172	15G906	LABEL, lift here	2
72	287925	COOLER, oil	1	176	16U562	LABEL, brand, GH1017, top, side (Model 16U277)	1
77	15H480	BAR, support	1	16U565	LABEL, brand, GH2570, top, side (Model 16U278)	1	
78	120339	WASHER, fender	8	16U567	LABEL, brand, GH733, top, side (Model 16U279)	1	
79	C20474	SCREW, self-tapping	10	16U569	LABEL, brand, GH5040, top, side (Model 16U280)	1	
84	110996	NUT, hex, flange head	2	16U570	LABEL, brand, GH933, top, side (Model 16U285)	1	
86	110963	SCREW, cap, flange head	12	177	16D577	LABEL, USA made with Honda	1
92	15G797	SLEEVE, handle	2				
95	237686	WIRE, ground assembly w/ clamp	1				
116	238049	FLUID, TSL, 4 oz	1				
120	120314	PLUG, tube	4				
137	15G813	HOSE, coupled	1				
143	109032	SCREW, mach, pnh	4				
144	112827	BUTTON, snap	2				
145	108068	PIN, spring straight	2				
146	116891	WASHER	2				
153	15G541	TUBE, J suction	1				
154	101818	CLAMP, hose	1				

Frame (continued)

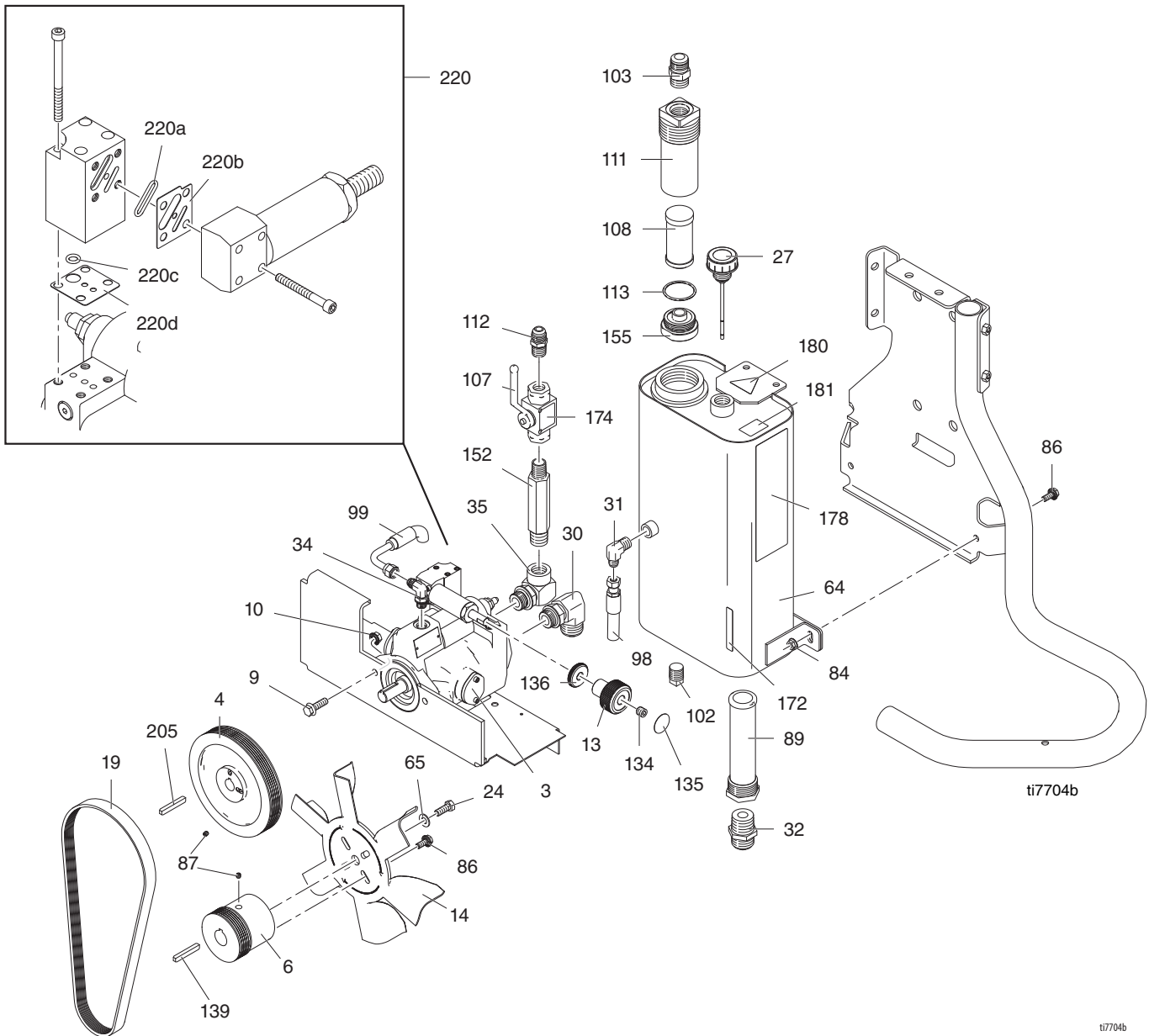


Parts List

Ref.	Part	Description	Qty.	Ref.	Part	Description	Qty.
2	119509	WHEEL, pneumatic	2	86	110963	SCREW, cap, flange head	12
5	16U399	ENGINE, gas, 13HP, electric start, 18amp	1	100	15G783	HOSE, coupled, 21.5 x 1/2	1
	114703	ENGINE, gas, 13 HP, Honda, pull start	1	101	15G781	HOSE, coupled, 16.0 x 3/4	1
	132174	ENGINE, gas, 13 HP (China only)	1	120	120314	PLUG, tube	4
5a		VOLTAGE REGULATOR (see Honda manual)	1	140	288098	KIT, repair, pump cover (includes 140a, 140b, 140c, 140d)	1
10	112958	NUT, hex, flanged	6	140a		COVER, pump handle	1
20	15G547	SPACER, axle	2	140b		SCREW, thread form, hi/lo	1
21	116780	SCREW, hex, hd, flanged	4	140c		COVER, pump	1
22	154628	WASHER	2	140d		SCREW, self-tapping	4
23	120211	RING, retaining, e-ring	2	168	16U558	LABEL, brand, big rig, rear	1
45	113951	CABLE, electric, neg	1	173	15G907	LABEL, Honda GX390 13HP	1
46	107073	CABLE, electric, positive	1	▲178	15D523	LABEL, warning, EN/FR/ES	1
49	110755	WASHER	2	▲179	194126	LABEL, warning	1
67	288099	KIT, repair, cover, fan pulley	1	▲180	189285	LABEL, caution	1
78	120339	WASHER, fender	8	▲183	198492	LABEL, warning	1
79	C20474	SCREW, self-tapping	10	222	120444	SCREW	2
80	120415	GROMMET, pulley fan GH833	4	223	101345	NUT	2
81	100021	SCREW, cap hex hd	2				
82	102040	WASHER, lock	2				

▲ Replacement Danger and Warning labels, tags, and cards are available at no cost.

Engine, Hydraulic Pump, and Reservoir



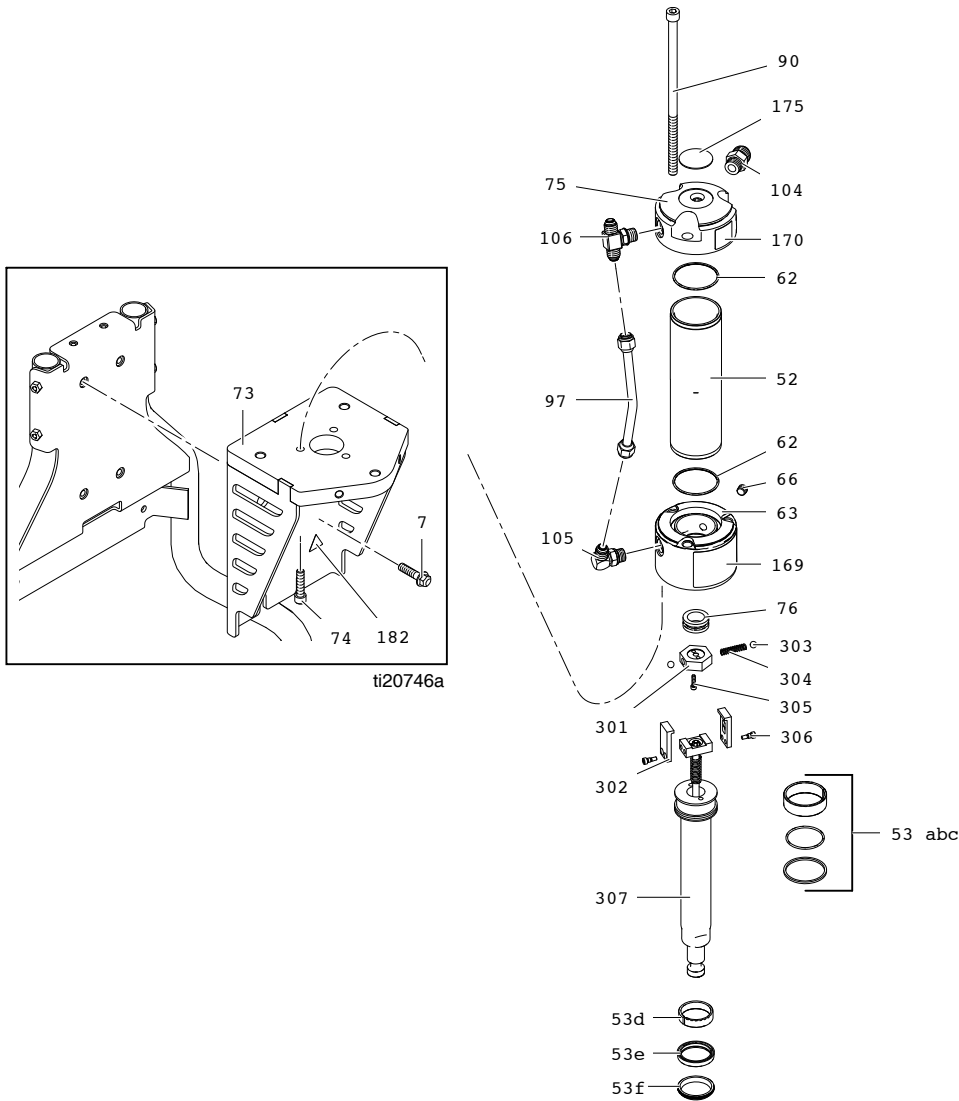
Parts List

Ref.	Part	Description	Qty.	Ref.	Part	Description	Qty.
3	288105	PUMP, hydraulic (includes 9, 10, 13, 134, 135, 136)	1	108	120310	FILTER, hydraulic fluid	1
4	15G812	PULLEY, pump	1	111	15H246	HOUSING, filter, hydraulic	1
6	15G811	PULLEY, drive, engine	1	112	120304	FITTING, nipple, straight	1
9	111193	SCREW, cap flange hd	2	113	120315	O-RING, packing	1
10	112958	NUT, hex, flanged	6	134	117560	SCREW, set, socket head	1
13	15B438	KNOB, pressure	1	135	15A464	LABEL, control	1
14	119971	FAN	1	136	15G767	COLLAR, locking, pressure knob	1
19	120172	BELT, poly-v	1	139	801137	KEY, engine, pulley	1
24	116596	SCREW, cap, hex head	1	152	120175	FITTING, ball valve	1
27	17L161	CAP, breather filler	1	155	15H247	CAP, filter, hydraulic	1
30	120066	FITTING, elbow, hydraulic	1	172	15G906	LABEL, lift here	2
31	120064	FITTING, elbow, hydraulic	1	174	15G908	LABEL, hydraulic lever on/off	1
32	120068	FITTING, hydraulic	1	▲178	15D523	LABEL, warning, EN/FR/ES	1
34	116793	FITTING	1	▲180	189285	LABEL, caution	1
35	120067	FITTING	1	181	198585	LABEL, hydraulic fluid, gh	1
64	15G545	RESERVOIR, painted	1	205	183401	KEY, pump, pulley	1
65	100731	WASHER	1	220	287100	KIT, repair (includes 220a-220d)	1
84	110996	NUT, hex, flange head	2	220a		O-RING, oval	
86	110963	SCREW, cap, flange head	12	220b		GASKET, comp/block	
87	100002	SCREW, set, sch	3	220c		O-RING	
89	120137	FILTER, suction	1	220d		GASKET, block/cover	
98	15G784	HOSE, coupled	1				
99	15G782	HOSE, coupled	1				
102	124489	PLUG, pipe	1				
103	120063	FITTING, hydraulic	1				
107	25R072	VALVE, ball, assembly	1				

Kit 287871 includes 108, 113

▲Replacement Danger and Warning labels, tags, and cards are available at no cost.

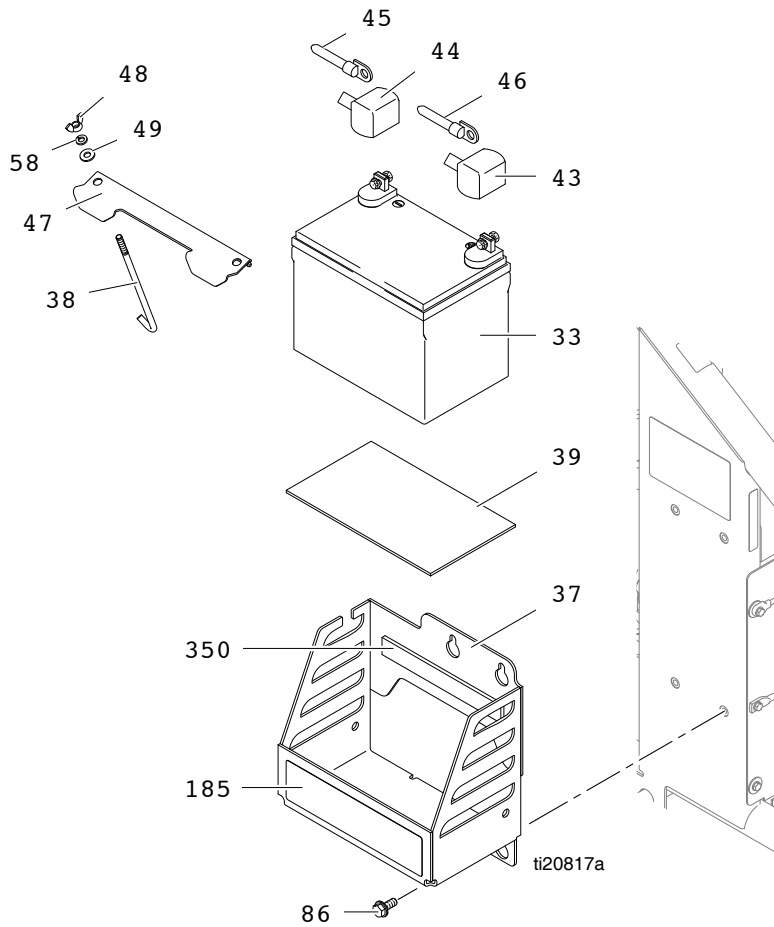
Hydraulic Motor and Adapter Bracket



Parts List

Ref.	Part	Description	Qty.	Ref.	Part	Description	Qty.
7*	120226	SCREW, hex hd, flange	4	105*	117607	FITTING, elbow std thd	1
52*	287869	CYLINDER, hydr motor (4GPM)	1	106*	117609	FITTING, tee, branch, str thd	1
53	287870	KIT, repair, packing, hydraulic (includes 53a - 53f)	1	169*	16U557	LABEL, brand, big rig, front	1
53d*	120340	BEARING, rod	1	170*	15G878	LABEL, Graco logo (GH833)	1
53e*	116065	SEAL, rod	1	175*▲	15B063	LABEL, warning, hot surface	1
53f*	120145	WIPER, rod	1	182*▲	15H108	LABEL, warning	1
62*	116084	PACKING, o-ring	2	301	15G503	VALVE, stop, hydraulic motor	1
63*	15G559	HOUSING, hydr motor, lower	1	302	15G270	YOKE, arm, hydraulic motor	2
66*	101970	PLUG, pipe, hdls	1	303	101947	BALL, bearing	2
73	16U773	BRACKET, mount, pump, painted	1	304	120146	SPRING, compression	1
74*	120202	SCREW, cap sch	3	305	131458	SCREW, cap, sch	2
75	288061	KIT, repair, cap (includes 175)	1	306	105270	SCREW, shoulder, sch	4
76	15G501	SLEEVE, valve, hydraulic motor	1	307*	287868	KIT, repair, piston/rod, hydraulic	1
90*	120138	SCREW, cap, socket head	3	▲ Replacement Danger and Warning labels, tags, and cards are available at no cost.			
97*	287841	TUBE, rigid, hydraulic	1	* Included in Hydraulic Motor Repair Kit 24Y566			
104*	120065	FITTING, hydraulic	1				

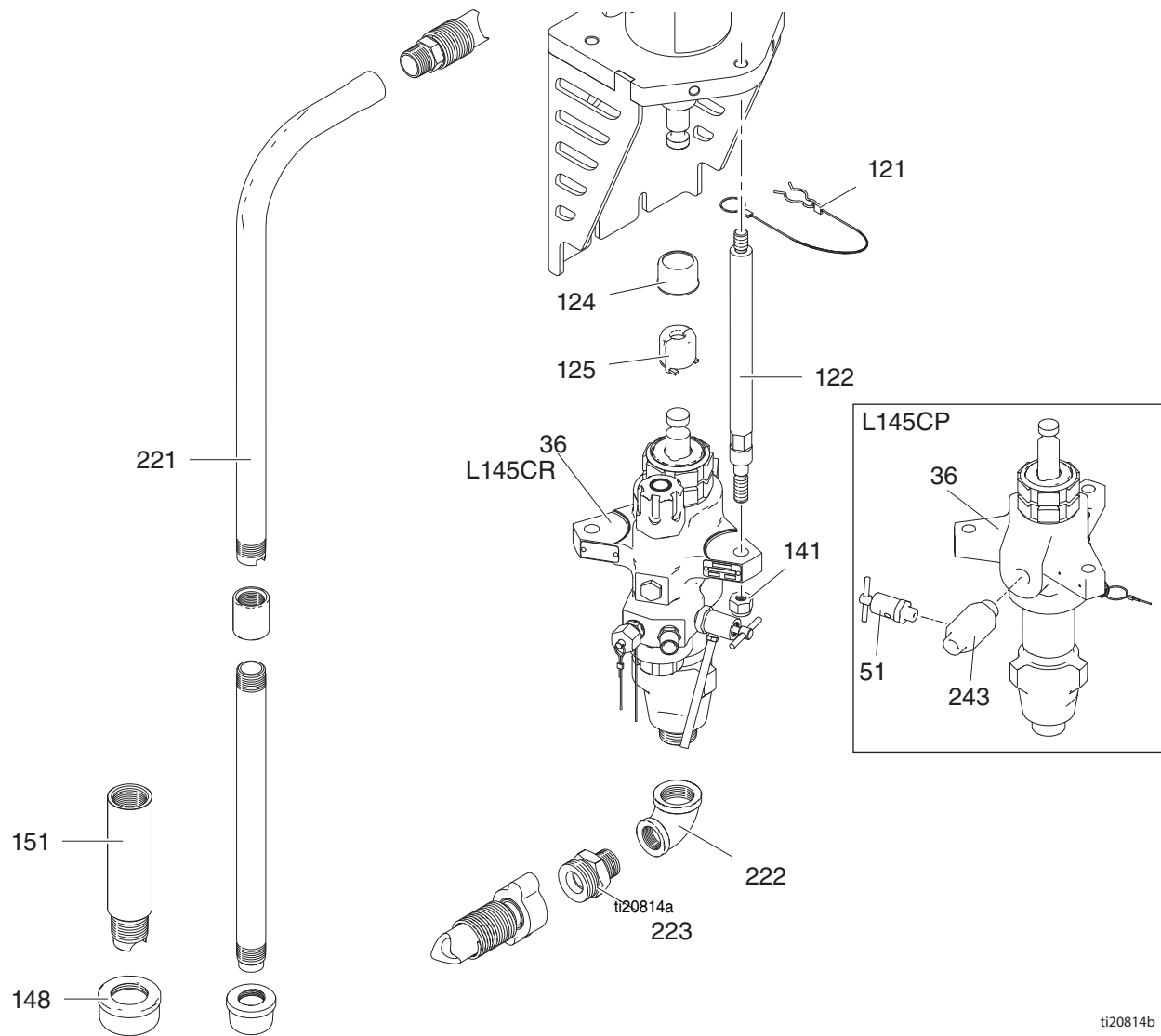
Battery



Parts List

Ref.	Part	Description	Qty.	Ref.	Part	Description	Qty.
33	115753	BATTERY, 33 AH, sealed	1	47	107069	CLAMP, battery	1
37	16U412	TRAY, battery, gh-es, painted	1	48	100011	NUT, wing	2
38	107068	HOOK, bolt	2	49	110755	WASHER, plain	2
39	801972	PAD, battery	1	58	100016	WASHER, lock	2
43	801958	PROTECTOR, terminal, red	1	86	110963	SCREW, cap, flange head	12
44	801959	TERMINAL, protector, black	1	185	16U559	LABEL, brand, es, side	1
45	113951	CABLE, electric, neg (black)	1	350	15F366	PAD, foam	1
46	107073	CABLE, electric, positive (red)	1				

GH933ES, GH933, and GH933ES (no filter) Sprayers



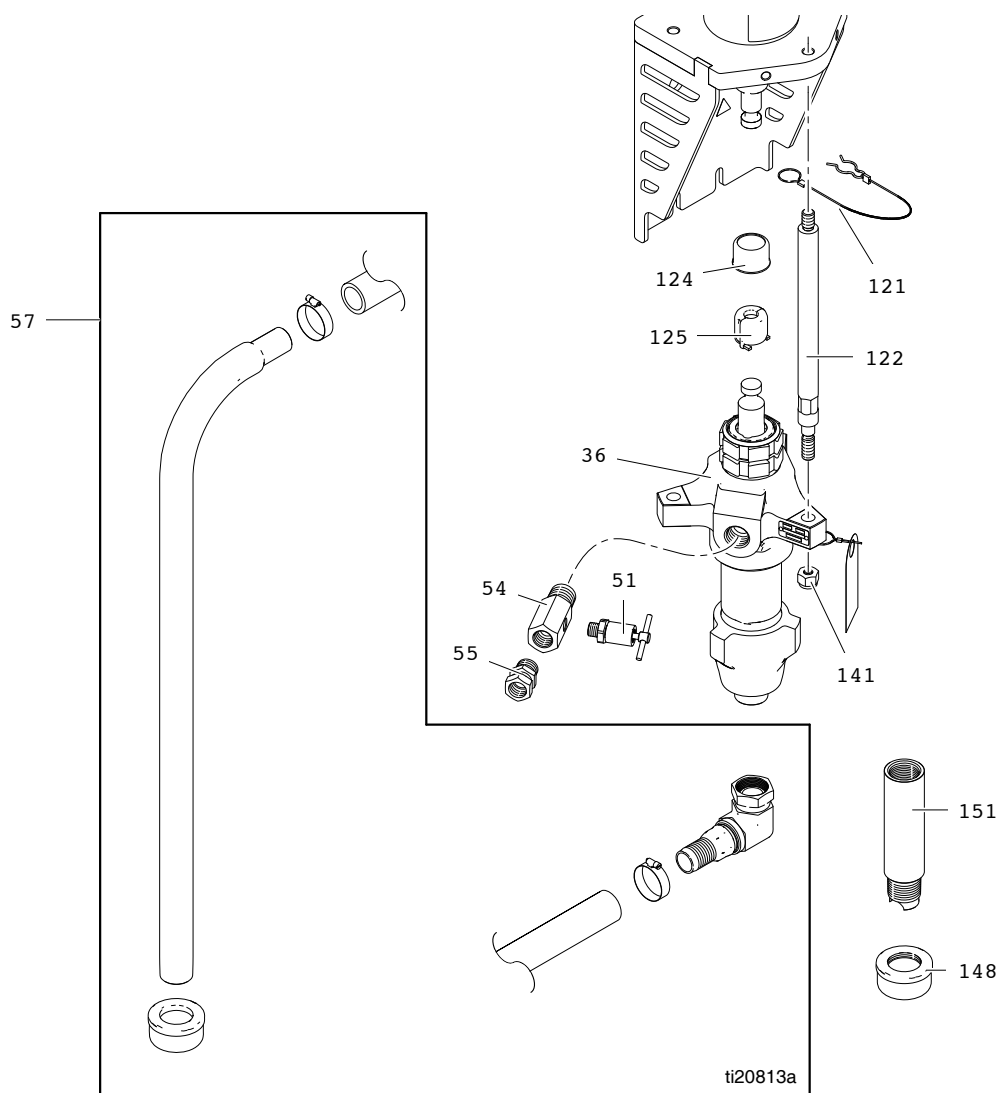
ti20814b

Parts List

Ref.	Part	Description	Qty.	Ref.	Part	Description	Qty.
36*		PUMP, Xtreme, 145		148	237840	STRAINER	1
	L145CR	with filter, Xseal	1	151	16U368	ADAPTER	1
	L145CP	no filter, Xseal	1	221	16V063	TUBE, suction kit	1
51	245143	VALVE, pressure, bleed (no filter unit)	1	222*	116401	ADAPTER, elbow	1
121*	244820	CLIP, hairpin (w/ lanyard)	1	223	116402	ADAPTER	1
122*	16U336	ROD, tie	3	243	17B815	FITTING, tee, 3/4 x 3/4 x 3/8 (no filter unit)	1
124*	197340	COVER, coupler	1		16U749	KIT, gauge (not shown)	1
125*	244819	COUPLING, assembly, 145-290 Xtreme	1				
141*	101712	NUT, lock	3				

* Parts included in pump kit 16U755

GH733ES Sprayer

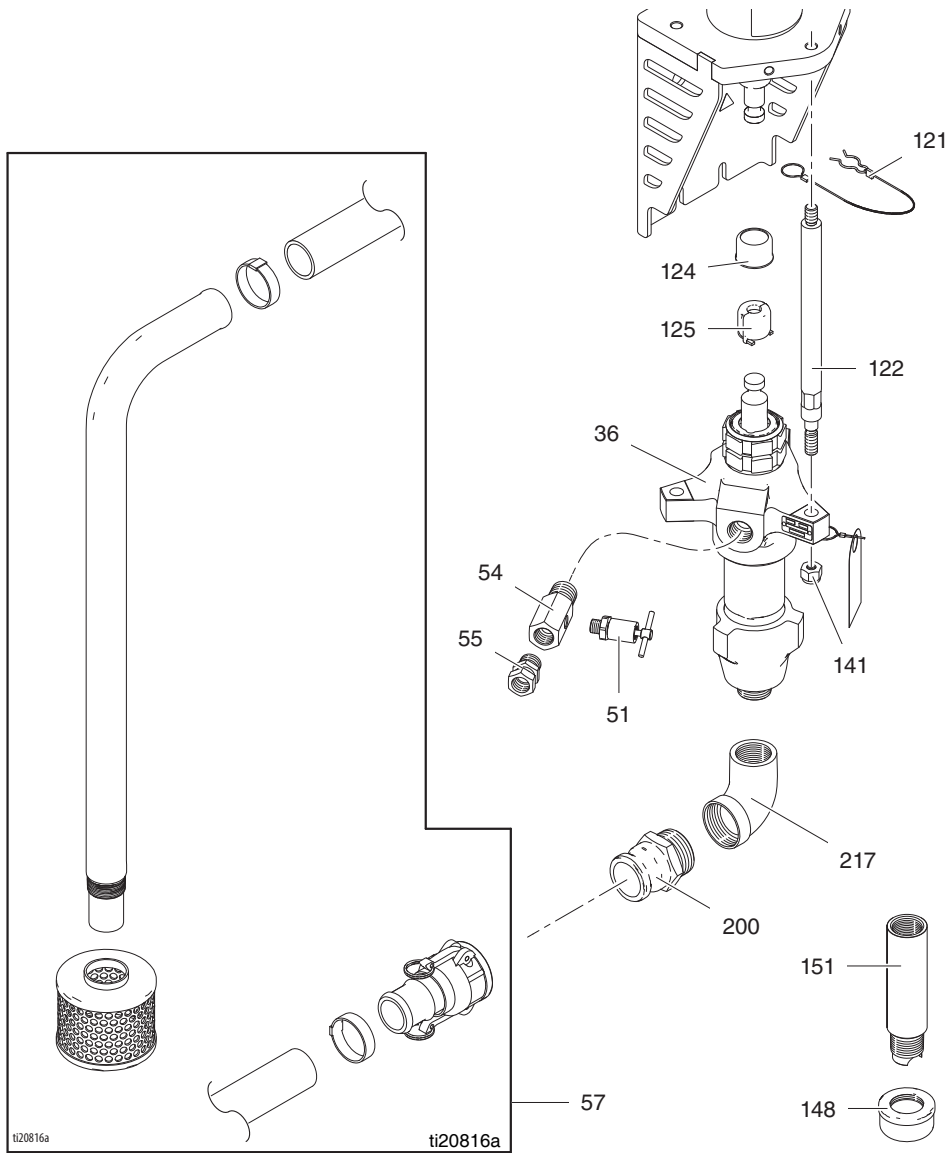


Parts List

Ref.	Part	Description	Qty.	Ref.	Part	Description	Qty.
36*	L250C1	LOWER, Xtreme, 220, nf, Xseal	1	125*	244819	COUPLING, assembly, 145-290 Xtreme	1
51*	245143	VALVE, pressure, bleed	1	141*	101712	NUT, lock	3
54*	16U937	FITTING, tee, street	1	148	237840	STRAINER	1
55*	157785	FITTING, swivel	1	151	16U368	ADAPTER	1
57	245468	KIT, repair	1		16U748	KIT, gauge (not shown)	1
121*	244820	CLIP, hairpin (w/ lanyard)	1				
122*	16U336	ROD, tie	3				
124*	197340	COVER, coupler	1				

* Parts included in pump kit 16U753

GH5040ES

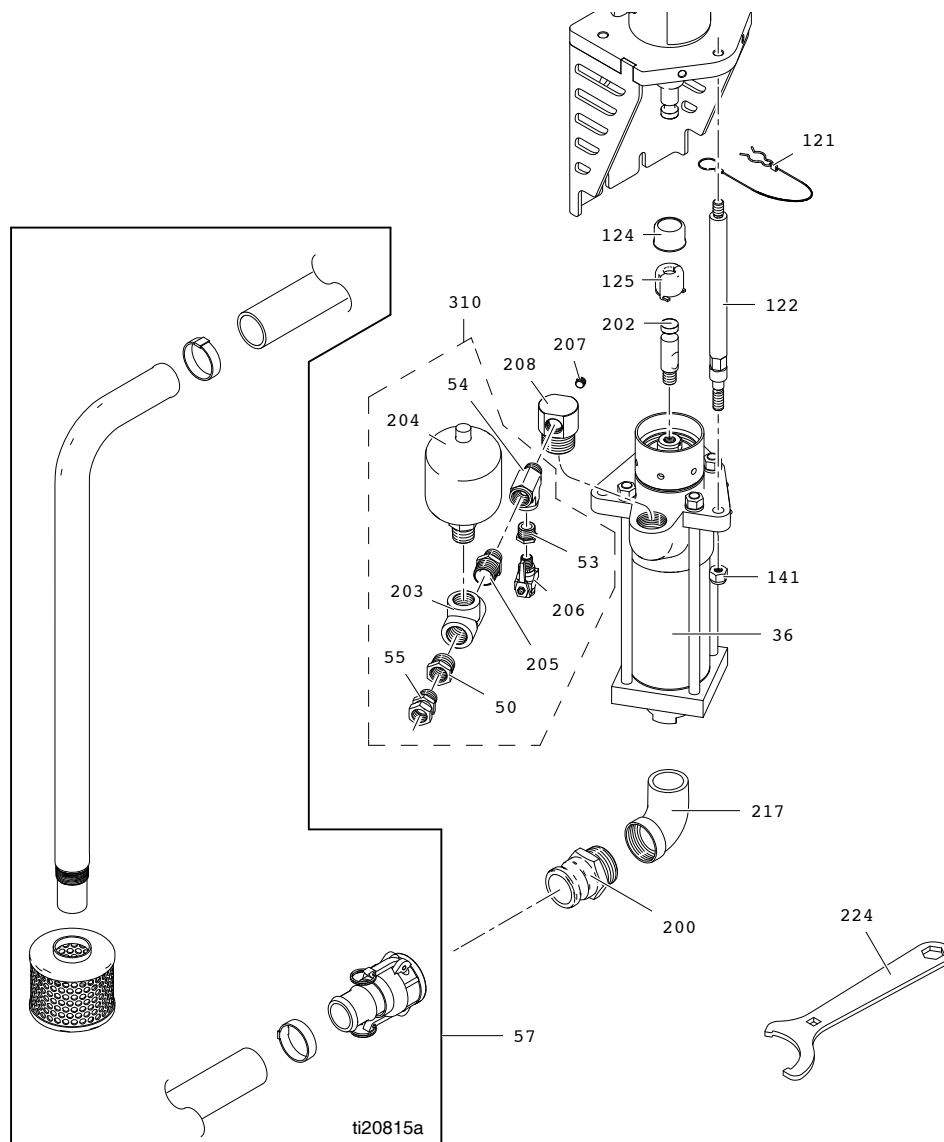


Parts List

Ref.	Part	Description	Qty.	Ref.	Part	Description	Qty.
36*	L220C1	PUMP, Xtreme, 220, nf, Xseal	1	125*	244819	COUPLING, assembly	1
51*	245143	VALVE, pressure, bleed	1	141*	101712	NUT, lock	3
54*	16U937	FITTING, tee, npt, 1 in. x 3/4 in. x 3/8 in.	1	148	237840	STRAINER	1
55*	157785	FITTING, swivel	1	151	16U368	ADAPTER	1
57	513631	KIT, suction, GH roofing rig	1	200*	513549	FITTING, adapter male q.d. 2 in.	1
121*	244820	CLIP, hairpin (w/ lanyard)	1	217*	116976	FITTING, elbow, 90 deg, female	1
122*	16U336	ROD, tie	3		16U749	KIT, gauge (not shown)	1
124*	197340	COVER, coupler	1				

* Parts included in pump kit 16U754

GH1017ES



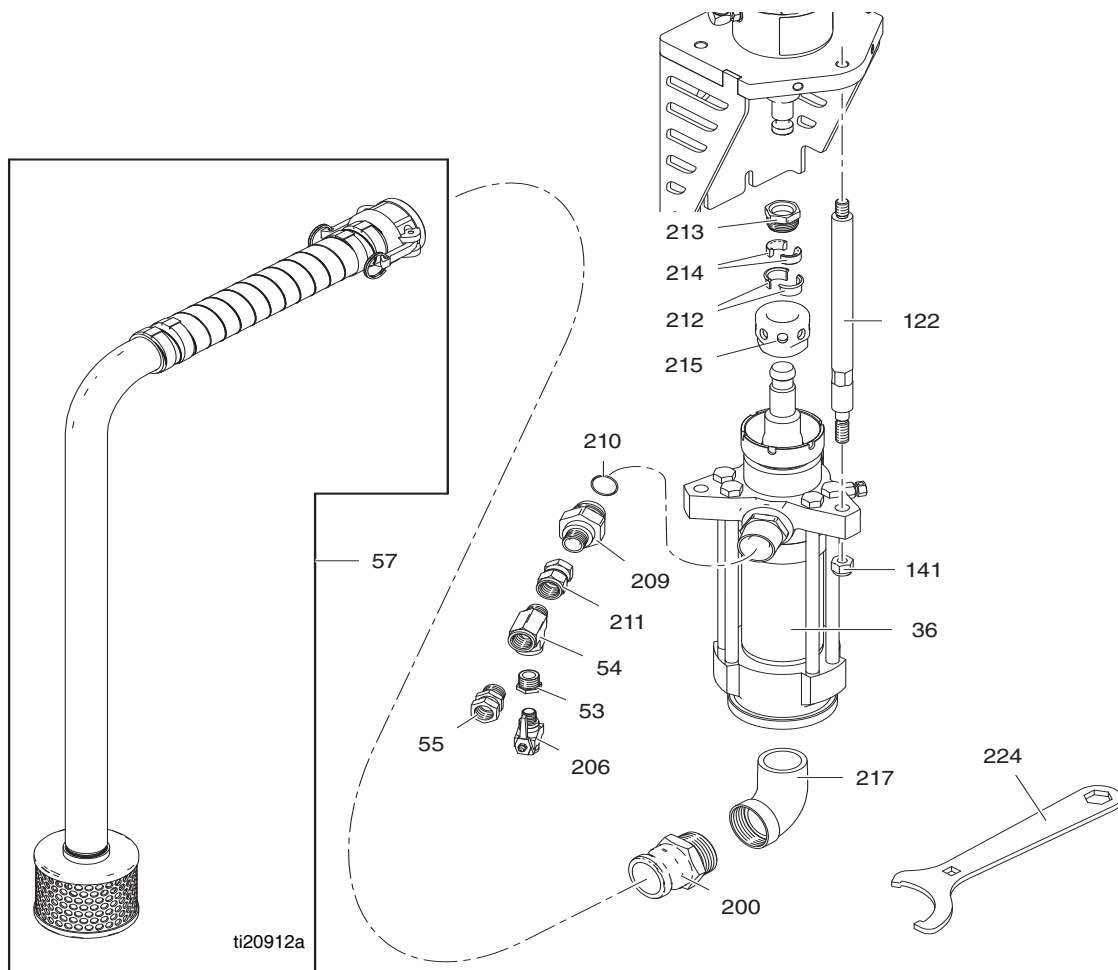
Parts List

Ref.	Part	Description	Qty.	Ref.	Part	Description	Qty.
36*	210208	PUMP, displacement, recip	1	202*	16U406	ADAPTER, displacement rod	1
50†	158586	FITTING, bushing	1	203†	500566	FITTING, tee, 1 in. female	1
53†	100505	BUSHING, pipe	1	204†	803444	DAMPENER, pulsation	1
54†	16U937	FITTING, TEE, street	1	205†	158555	FITTING, nipple, 1 in. x 3/4 in. npt	1
55†	157785	FITTING, swivel	1	206†	224441	VALVE, ball	1
57	513631	KIT, suction, GH roofing rig	1	207*	100721	PLUG, pipe	1
121*	244820	CLIP, hairpin (w/ lanyard)	1	208*	167906	MANIFOLD, pipe	1
122*	16U336	ROD, tie	3	217*	100088	ELBOW, street, pipe, 90 deg	1
124*	197340	COVER, coupler	1	224*	184278	WRENCH	1
125*	244819	COUPLING, assembly	1				
141*	101712	NUT, lock	3				
200*	513549	FITTING, adapter male q.d. 2 in.	1				

* Parts included in pump kit 16U751

† Parts included in pump kit 16U963

GH2570



Parts List

Ref.	Part	Description	Qty.	Ref.	Part	Description	Qty.
36*	222796	PUMP, displacement (18 cm-cstl)	1	211*	156172	FITTING, union, swivel	1
53*	100505	BUSHING, pipe	1	212*	184130	COLLAR, coupling,	2
54*	111337	FITTING, tee, street	1	213*	16U420	COUPLER, rod, pump	1
55*	157785	FITTING, swivel	1	214*	16U421	COLLAR, coupling, rod, pump	2
57	513631	KIT, suction, GH roofing rig	1	215*	184096	NUT, coupling	1
122*	16U339	ROD, tie	3	217*	100088	ELBOW, street, pipe, 90 deg	1
141*	101712	NUT, lock	3	224*	184278	WRENCH	1
200*	513549	FITTING, adapter male q.d. 2 in.	1		16U748	KIT, gauge (not shown)	1
206*	224441	VALVE, ball	1				
209*	184470	FITTING, outlet	1				
210*	109213	PACKING, o-ring	1				

* Parts included in pump kit 16U752

Notes

Graco Standard Warranty

Graco warrants all equipment referenced in this document which is manufactured by Graco and bearing its name to be free from defects in material and workmanship on the date of sale to the original purchaser for use. With the exception of any special, extended, or limited warranty published by Graco, Graco will, for a period of twelve months from the date of sale, repair or replace any part of the equipment determined by Graco to be defective. This warranty applies only when the equipment is installed, operated and maintained in accordance with Graco's written recommendations.

This warranty does not cover, and Graco shall not be liable for general wear and tear, or any malfunction, damage or wear caused by faulty installation, misapplication, abrasion, corrosion, inadequate or improper maintenance, negligence, accident, tampering, or substitution of non-Graco component parts. Nor shall Graco be liable for malfunction, damage or wear caused by the incompatibility of Graco equipment with structures, accessories, equipment or materials not supplied by Graco, or the improper design, manufacture, installation, operation or maintenance of structures, accessories, equipment or materials not supplied by Graco.

This warranty is conditioned upon the prepaid return of the equipment claimed to be defective to an authorized Graco distributor for verification of the claimed defect. If the claimed defect is verified, Graco will repair or replace free of charge any defective parts. The equipment will be returned to the original purchaser transportation prepaid. If inspection of the equipment does not disclose any defect in material or workmanship, repairs will be made at a reasonable charge, which charges may include the costs of parts, labor, and transportation.

THIS WARRANTY IS EXCLUSIVE, AND IS IN LIEU OF ANY OTHER WARRANTIES, EXPRESS OR IMPLIED, INCLUDING BUT NOT LIMITED TO WARRANTY OF MERCHANTABILITY OR WARRANTY OF FITNESS FOR A PARTICULAR PURPOSE.

Graco's sole obligation and buyer's sole remedy for any breach of warranty shall be as set forth above. The buyer agrees that no other remedy (including, but not limited to, incidental or consequential damages for lost profits, lost sales, injury to person or property, or any other incidental or consequential loss) shall be available. Any action for breach of warranty must be brought within two (2) years of the date of sale.

GRACO MAKES NO WARRANTY, AND DISCLAIMS ALL IMPLIED WARRANTIES OF MERCHANTABILITY AND FITNESS FOR A PARTICULAR PURPOSE, IN CONNECTION WITH ACCESSORIES, EQUIPMENT, MATERIALS OR COMPONENTS SOLD BUT NOT MANUFACTURED BY GRACO. These items sold, but not manufactured by Graco (such as electric motors, switches, hose, etc.), are subject to the warranty, if any, of their manufacturer. Graco will provide purchaser with reasonable assistance in making any claim for breach of these warranties.

In no event will Graco be liable for indirect, incidental, special or consequential damages resulting from Graco supplying equipment hereunder, or the furnishing, performance, or use of any products or other goods sold hereto, whether due to a breach of contract, breach of warranty, the negligence of Graco, or otherwise.

FOR GRACO CANADA CUSTOMERS

The Parties acknowledge that they have required that the present document, as well as all documents, notices and legal proceedings entered into, given or instituted pursuant hereto or relating directly or indirectly hereto, be drawn up in English. Les parties reconnaissent avoir convenu que la rédaction du présente document sera en Anglais, ainsi que tous documents, avis et procédures judiciaires exécutés, donnés ou intentés, à la suite de ou en rapport, directement ou indirectement, avec les procédures concernées.

Graco Information

For the latest information about Graco products, visit www.graco.com.

For patent information, see www.graco.com/patents.

TO PLACE AN ORDER, contact your Graco distributor or call 1-800-690-2894 to identify the nearest distributor.

*All written and visual data contained in this document reflects the latest product information available at the time of publication.
Graco reserves the right to make changes at any time without notice.*

For patent information, see www.graco.com/patents.

Original instructions. This manual contains English. MM 332158

Graco Headquarters: Minneapolis
International Offices: Belgium, China, Japan, Korea

GRACO INC. AND SUBSIDIARIES • P.O. BOX 1441 • MINNEAPOLIS MN 55440-1441 • USA

Copyright 2012, Graco Inc. All Graco manufacturing locations are registered to ISO 9001.

www.graco.com
Revision H, April 2020