

# GTX™ 2000EX

313385D  
EN

**- For Water-Based Materials Only-**

**Model: 257030**

**Sprayer with Graco Trigger Gun**

*120 psi (8.27 bar) Maximum Working Air Pressure*

*120 psi (8.27 bar) Maximum Working Fluid Pressure*



**Important Safety Instructions**

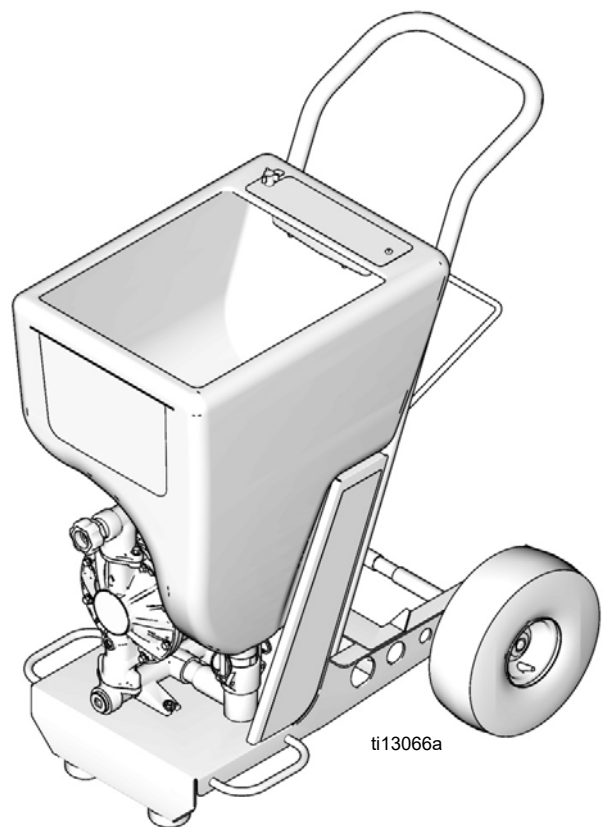
Read all warnings and instructions in this manual. Save these instructions.

**Related Manuals**

Operation: 313384





Gun: 310616

Pump: 309915



# Warnings

The following warnings are for the setup, use, grounding, maintenance, and repair of this equipment. The exclamation point symbol alerts you to a general warning and the hazard symbol refers to procedure-specific risk. Refer back to these warnings. Additional, product-specific warnings may be found throughout the body of this manual where applicable.

 <b>WARNING</b>	
	<p><b>FIRE AND EXPLOSION HAZARD</b></p> <p>Flammable fumes, such as solvent and paint fumes, in <b>work area</b> can ignite or explode. To help prevent fire and explosion:</p> <ul style="list-style-type: none"> <li>• Use equipment only in well ventilated area.</li> <li>• Eliminate all ignition sources; such as pilot lights, cigarettes, portable electric lamps, and plastic drop cloths (potential static arc).</li> <li>• Keep work area free of debris, including solvent, rags and gasoline.</li> <li>• Do not plug or unplug power cords, or turn power or light switches on or off when flammable fumes are present.</li> <li>• Ground all equipment in the work area. See <b>Grounding</b> instructions.</li> <li>• Use only grounded hoses.</li> <li>• Hold gun firmly to side of grounded pail when triggering into pail.</li> <li>• If there is static sparking or you feel a shock, <b>stop operation immediately</b>. Do not use equipment until you identify and correct the problem.</li> <li>• Keep a working fire extinguisher in the work area.</li> </ul>
	<p><b>EQUIPMENT MISUSE HAZARD</b></p> <p>Misuse can cause death or serious injury.</p> <ul style="list-style-type: none"> <li>• Do not operate the unit when fatigued or under the influence of drugs or alcohol.</li> <li>• Do not exceed the maximum working pressure or temperature rating of the lowest rated system component. See <b>Technical Data</b> in all equipment manuals.</li> <li>• Use fluids and solvents that are compatible with equipment wetted parts. See <b>Technical Data</b> in all equipment manuals. Read fluid and solvent manufacturer's warnings. For complete information about your material, request MSDS forms from distributor or retailer.</li> <li>• Check equipment daily. Repair or replace worn or damaged parts immediately with genuine manufacturer's replacement parts only.</li> <li>• Do not alter or modify equipment.</li> <li>• Use equipment only for its intended purpose. Call your distributor for information.</li> <li>• Route hoses and cables away from traffic areas, sharp edges, moving parts, and hot surfaces.</li> <li>• Do not kink or over bend hoses or use hoses to pull equipment.</li> <li>• Keep children and animals away from work area.</li> <li>• Comply with all applicable safety regulations.</li> </ul>
	<p><b>PRESSURIZED EQUIPMENT HAZARD</b></p> <p>Fluid from the gun/dispense valve, leaks, or ruptured components can splash in the eyes or on skin and cause serious injury.</p> <ul style="list-style-type: none"> <li>• Follow <b>Pressure Relief Procedure</b> in this manual, when you stop spraying and before cleaning, checking, or servicing equipment.</li> <li>• Tighten all fluid connections before operating the equipment.</li> <li>• Check hoses, tubes, and couplings daily. Replace worn or damaged parts immediately.</li> </ul>

**PLASTIC PARTS CLEANING SOLVENT HAZARD**

Use only compatible water-based solvents to clean plastic structural or pressure-containing parts. Many solvents can degrade plastic parts and cause them to fail, which could cause serious injury or property damage. See **Technical Data** in this and all other equipment instruction manuals. Read fluid and solvent manufacturer's warnings.

**PERSONAL PROTECTIVE EQUIPMENT**

You must wear appropriate protective equipment when operating, servicing, or when in the operating area of the equipment to help protect you from serious injury, including eye injury, inhalation of toxic fumes, burns, and hearing loss. This equipment includes but is not limited to:

- Protective eye wear
- Clothing and respirator as recommended by the fluid and solvent manufacturer
- Gloves
- Hearing protection

**NOTICE**

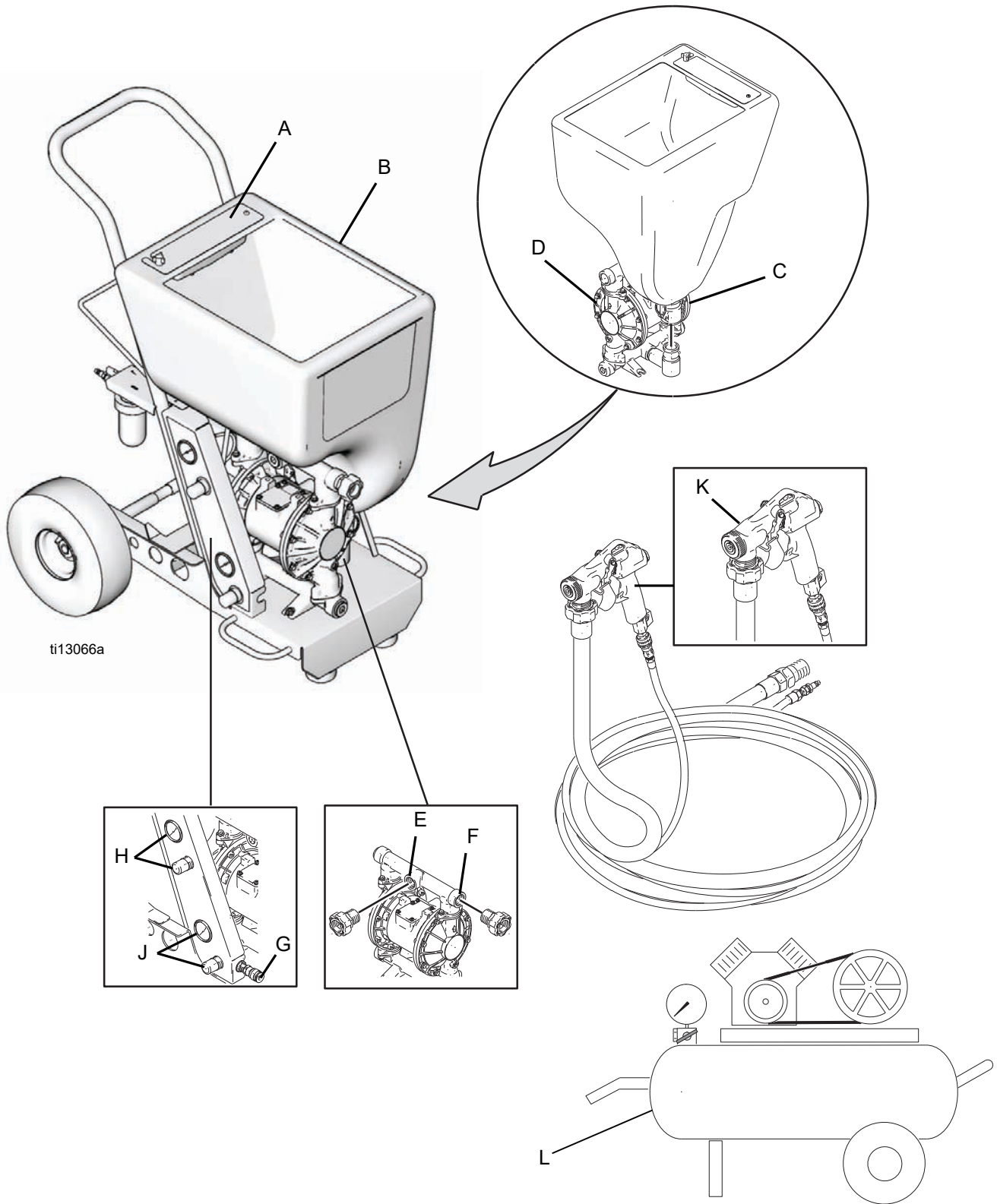
Water or material remaining in unit when temperatures are below freezing can damage pump and/or delay startup.

To insure water and material are completely drained out of unit:

1. Remove material line from sprayer.
2. Tip sprayer to allow material (water) to flow out of pump inlet.

Before adding material or starting unit in cold weather, run warm water through pump.

# Component Identification



## Component Identification List

A	Nozzle Storage
B	Hopper
C	Hopper Quick Connect
D	Diaphragm Pump
E	Material Outlet Option 1
F	Material Outlet Option 2
G	Gun Air Outlet Quick Connect
H	Material (Pump) Air Pressure Gauge and Control Knob
J	Gun Air Pressure Gauge and Control Knob
K	Gun (see manual 308878)*
L	Air Compressor (not supplied by Graco)

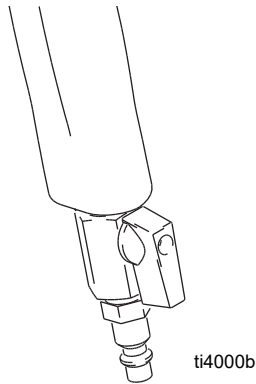
\* Reference numbers used in gun illustrations coincide with reference numbers shown in gun manual 310616

# Preparation

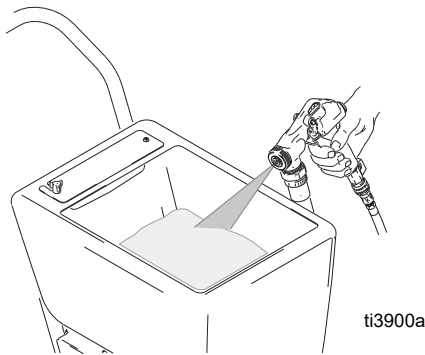


## Pressure Relief

1. Disconnect air inlet.
2. Open gun air valve (23).



3. Trigger gun, and spray material back into hopper.



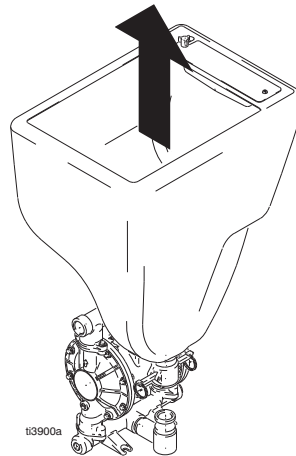
## Hopper Removal and Installation

The hopper (G) can be removed from the cart for cleaning and servicing equipment.

**NOTE:** Before removing hopper, allow unit to cool down and/or remove compressor power pack from cart.

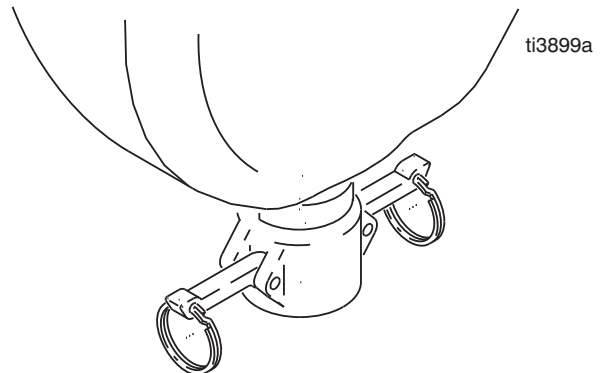
## Hopper Removal

1. To remove hopper (G), release the latches on each side of coupler (H).
2. Lift hopper straight up, off unit.



## Install Hopper

1. To install hopper, position coupler over material outlet and slide it straight down, over the fitting, as far as it will go.
2. Secure latches by pushing each one up and firmly into locked position.

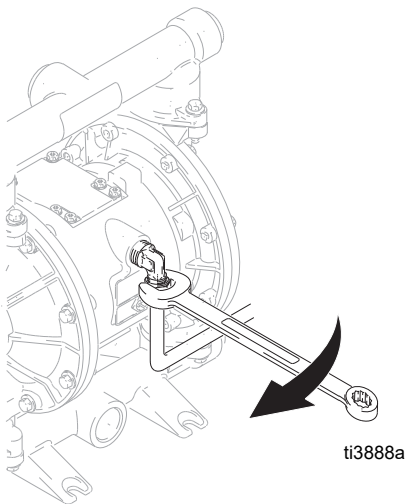


# Pump Removal and Installation

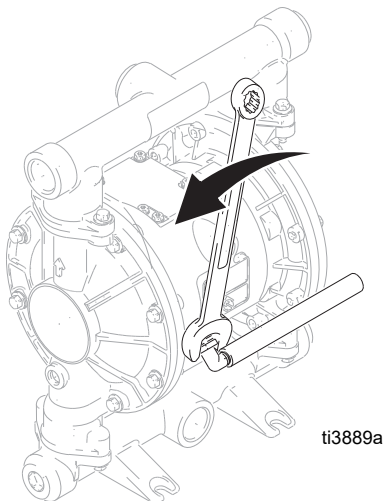


## Pump Removal

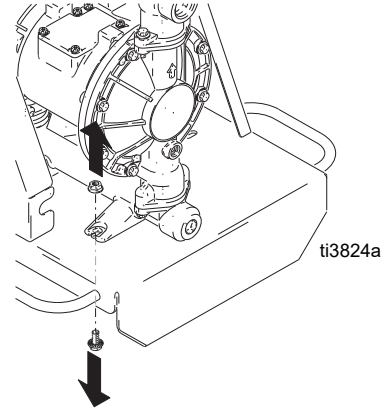
1. Relieve Pressure, page 6.
2. Remove hopper, page 6.
3. Disconnect air lines.



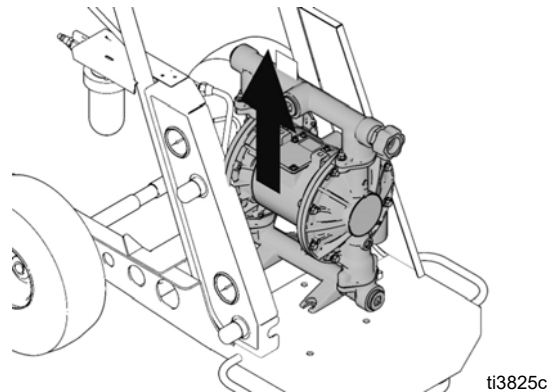
4. Disconnect exhaust tube.



5. Remove four bolts holding pump to cart.



6. Lift pump straight up off cart.



## Pump Installation

1. Lower pump on cart.
2. Replace four bolts holding pump to cart.
3. Reconnect exhaust tube.
4. Reconnect air lines.
5. Replace hopper, page 6.

# Troubleshooting

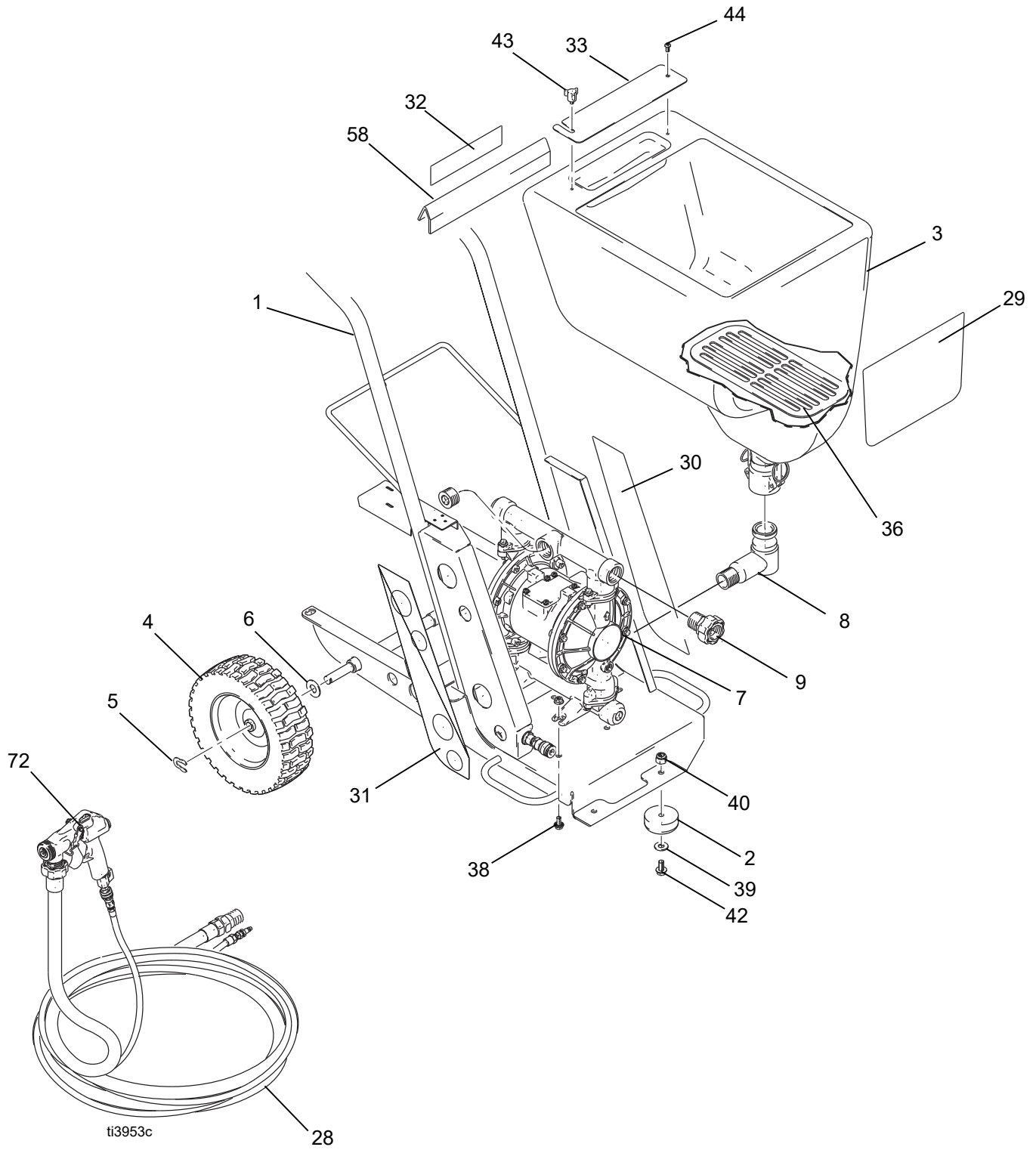
Before performing any Troubleshooting procedures, follow **Pressure Relief** procedure on page 6.

PROBLEM	CAUSE	SOLUTION
No material output from pump	Not enough air pressure to pump	Shut off air at the gun, and increase air pressure to the pump to maximum. Turn regulator clockwise to increase.
	Material too thick	Thin the material. Material must be mixed thoroughly to a consistency that immediately folds back in as you draw your finger through the surface of the material.
	Damaged checkballs or seats	Replace checkballs or seats.
	Plugged gun or nozzle	<b>Relieve Pressure</b> , page 6. Remove gun from material hose, and cycle pump.  <b>NOTE:</b> A plugged gun or nozzle may cause the hose and pump to plug. If necessary, flush hose and pump with clean water before cycling material through the hose with the gun removed.
	Plugged hose, or hose too small	Relieve pressure, page 6. Flush hose with clean water, or try a 1-1/4 in. hose.
Pump stops pumping	Stalled pump	Shut down system. <b>Relieve Pressure</b> , page 6. Restart.  Contact an authorized Graco service center.
	Pump in need of repair	See texture pump instruction manual 308479.
Pulsing or surging material	Triggering too fast	Slowly squeeze trigger to fully open position while moving gun quickly in a circular motion.
Speed of application too slow	Not enough air pressure to pump	Shut off air at the gun, and increase air pressure to the pump to maximum. Turn regulator clockwise to increase.
	Material too thick	Material must be mixed thoroughly to a consistency that immediately folds back in as you draw your finger through the surface of the material.
	Nozzle too small	Increase nozzle size.
	Hose plugged or too small.	Relieve Pressure, page 6. Clean hose, or try a 1-1/4 in. hose.
	Pump in need of repair	See texture pump instruction manual 308479.

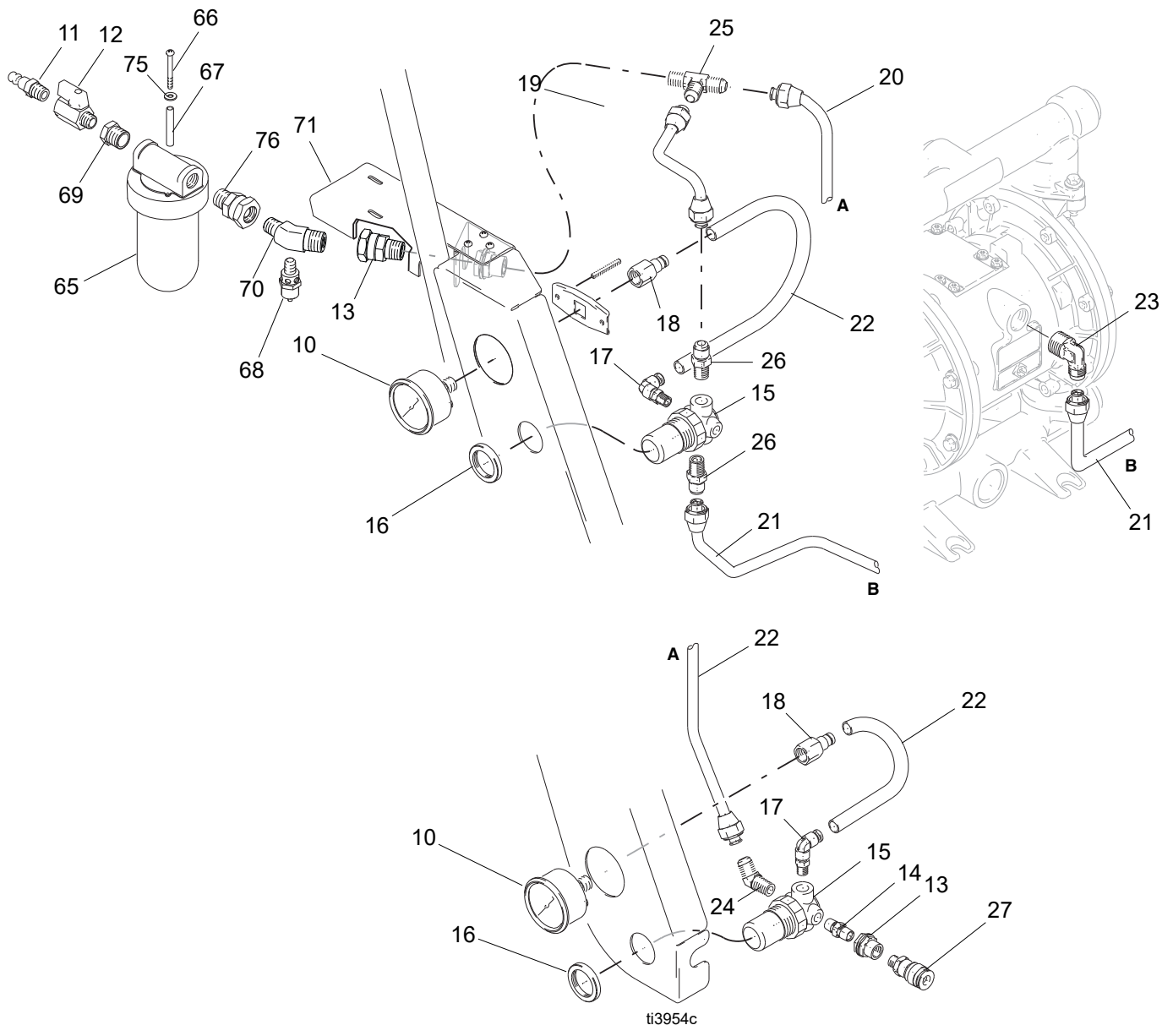


PROBLEM	CAUSE	SOLUTION
Pattern too fine or too much overspray	Material too thin	Thicken material. Material must be mixed thoroughly to a consistency that immediately folds back in as you draw your finger through the surface of the material.
	Air pressure at gun too high	Decrease air to gun at gun fitting and/or regulator.
	Fluid delivery too low	Increase nozzle size.
		Increase air pressure to pump, or decrease air to gun at gun fitting and/or regulator.
Turn fluid knob out on gun. See <b>Spray Techniques</b> in Operation Manual 309915.		
Pattern too coarse	Material too thick	Thin material. Material must be mixed thoroughly to a consistency that immediately folds back in as you draw your finger through the surface of the material.
	Air pressure at gun too low	Increase air to gun at gun fitting and/or regulator.
	Fluid delivery too high	Decrease nozzle size.
		Decrease air pressure to pump, or increase air to gun at gun fitting and/or regulator.
Turn fluid knob in on gun. See <b>Spray Techniques</b> in Operation Manual 309915.		

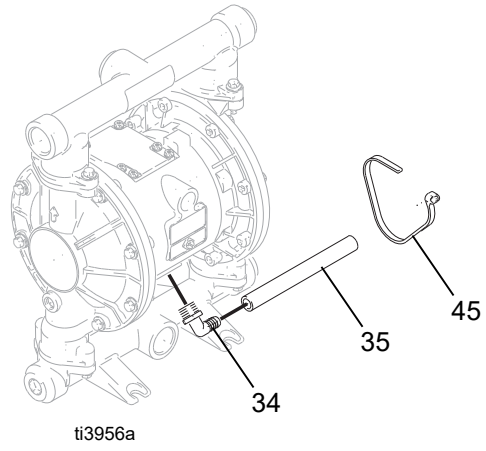
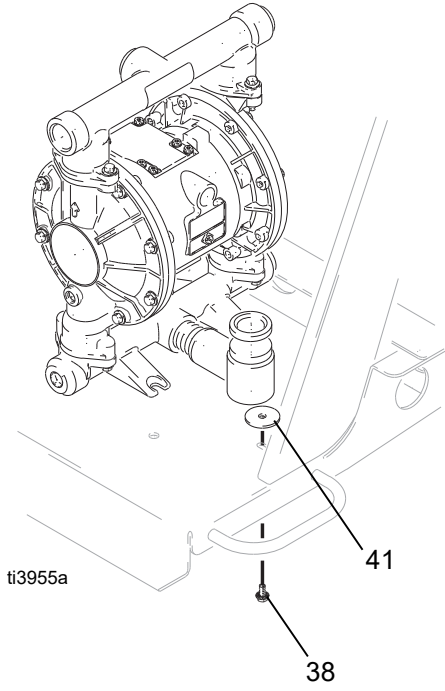
# Parts Drawing



# Parts Drawing

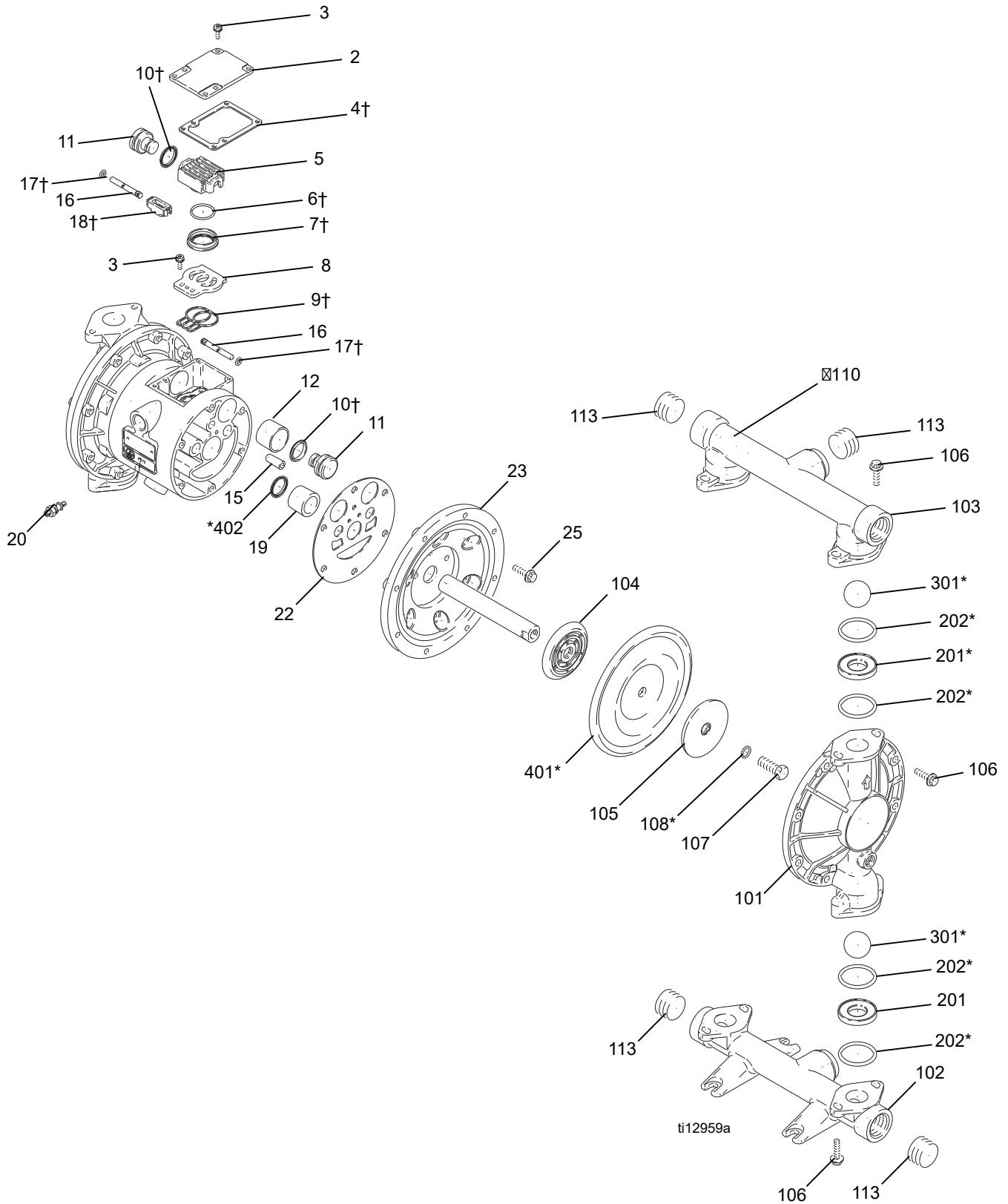


# Parts Drawing





# Pump Parts Drawing



## Pump Parts List

Ref.	Part	Description	Qty.	Ref.	Part	Description	Qty.
1	188838	HOUSING, center, aluminum	1	102	188841	MANIFOLD, inlet, aluminum	1
2	188854	COVER, air valve, aluminum	1	103	188842	MANIFOLD, outlet, aluminum	1
3	116344	SCREW, mach, hex flange hd; M5 X 0.8; 12 mm (0.47 in.)	9	104	188607	PLATE, air side, aluminum	2
4	188618	GASKET, molded Santoprene	1	105	188607	PLATE, fluid side, aluminum	2
5	188855	CARRIAGE, aluminum	1	106	115643	SCREW, M8 X 1.25; 25 mm (1 in.)	24
6†	108730	O-RING, nitrile	1	107	189044	BOLT, M12 X 1.75; 35 mm (1.38 in.) sst	2
7†	188616	BLOCK, air valve, acetal	1	108*	104319	O-RING, PTFE	2
8	188615	PLATE, air valve, sst	1	110☒	188621	LABEL, warning	1
9†	188617	SEAL, valve plate, buna-N	1	113	121497	PLUG, 1 in. npt, cst	4
10†	112181	PACKING, u-cup, nitrile	2	201*	194211	SEAT, Geolast®	4
11	188612	PISTON, actuator, acetal	2	202*	109205	O-RING, PTFE	8
12	188613	BEARING, piston, acetal	2	301*	114751	BALL, Geolast[, 1-1/4 in.	4
15	188611	BEARING, pin, acetal	2	401*	15B499	DIAPHRAGM, buna-N	2
16	188610	PIN, pilot, stainless steel	2	402*	112181	PACKING, u-cup, nitrile	2
17†	157628	O-RING, buna-N	2				
18†	188614	BLOCK, pilot, acetal	1				
19	188609	BEARING, shaft, acetal	2				
20	116343	SCREW, grounding	1				
22	188603	GASKET, air cover, foam	2				
23	188839	COVER, air, aluminum	2				
24	188608	SHAFT, diaphragm, sst	1				
25	115643	SCREW, M8 X 1.25; 25 mm (1 in.)	12				
101	188840	COVER, fluid, aluminum	2				

† These parts are included in Air Valve Repair Kit 236273, which may be purchased separately.

\* These parts are included in Pump Repair Kit D07GG7 which may be purchased separately.

☒ Replacement Danger and Warning labels, tags and cards are available at no cost.

## Technical Data

Maximum air working pressure . . . . . 120 psi (8.27 bar)

Maximum working fluid pressure . . . . . 120 psi (8.27 bar)

Compressor (not supplied)

Air Delivery . . . . . 12 cfm @ 100 psi  
(340 lpm @ 6.9 bar)

Hopper capacity

Maximum . . . . . 17 gallons (64 liters)

Maximum delivery with texture material . . . 4.0 gpm (15.14 lpm) at 12 CFM @ 100 psi (340 lpm @ 6.9 bar)

Maximum delivery with water . . . . . 40.0 gpm (151.4 lpm) at 12 CFM @ 100 psi (340 lpm @ 6.9 bar)

Dimensions

Length . . . . . 38 in. (965 mm) with handle

Width . . . . . 24 in. (610 mm)

Height . . . . . 40 in. (1016 mm)

Weight

With hoses, gun. . . . . 110 lb (49.9 kg)

Wetted parts . . . . . PVC, zinc plate CS,  
buna-N, aluminum, brass, polyethylene  
sst, UHMW, acetal

Sound . . . . . Reference pump manual 308479





# Graco Warranty

Graco warrants all equipment manufactured by Graco and bearing its name to be free from defects in material and workmanship on the date of sale to the original purchaser for use. With the exception of any special, extended, or limited warranty published by Graco, Graco will, for a period of twelve months from the date of sale, repair or replace any part of the equipment determined by Graco to be defective. This warranty applies only when the equipment is installed, operated and maintained in accordance with Graco's written recommendations.

This warranty does not cover, and Graco shall not be liable for general wear and tear, or any malfunction, damage or wear caused by faulty installation, misapplication, abrasion, corrosion, inadequate or improper maintenance, negligence, accident, tampering, or substitution of non-Graco component parts. Nor shall Graco be liable for malfunction, damage or wear caused by the incompatibility of Graco equipment with structures, accessories, equipment or materials not supplied by Graco, or the improper design, manufacture, installation, operation or maintenance of structures, accessories, equipment or materials not supplied by Graco.

This warranty is conditioned upon the prepaid return of the equipment claimed to be defective to an authorized Graco distributor for verification of the claimed defect. If the claimed defect is verified, Graco will repair or replace free of charge any defective parts. The equipment will be returned to the original purchaser transportation prepaid. If inspection of the equipment does not disclose any defect in material or workmanship, repairs will be made at a reasonable charge, which charges may include the costs of parts, labor, and transportation.

**THIS WARRANTY IS EXCLUSIVE, AND IS IN LIEU OF ANY OTHER WARRANTIES, EXPRESS OR IMPLIED, INCLUDING BUT NOT LIMITED TO WARRANTY OF MERCHANTABILITY OR WARRANTY OF FITNESS FOR A PARTICULAR PURPOSE.**

Graco's sole obligation and buyer's sole remedy for any breach of warranty shall be as set forth above. The buyer agrees that no other remedy (including, but not limited to, incidental or consequential damages for lost profits, lost sales, injury to person or property, or any other incidental or consequential loss) shall be available. Any action for breach of warranty must be brought within two (2) years of the date of sale.

Graco makes no warranty, and disclaims all implied warranties of merchantability and fitness for a particular purpose in connection with accessories, equipment, materials or components sold but not manufactured by Graco. These items sold, but not manufactured by Graco (such as electric motors, switches, hose, etc.), are subject to the warranty, if any, of their manufacturer. Graco will provide purchaser with reasonable assistance in making any claim for breach of these warranties.

In no event will Graco be liable for indirect, incidental, special or consequential damages resulting from Graco supplying equipment hereunder, or the furnishing, performance, or use of any products or other goods sold hereto, whether due to a breach of contract, breach of warranty, the negligence of Graco, or otherwise.

## **FOR GRACO CANADA CUSTOMERS**

The parties acknowledge that they have required that the present document, as well as all documents, notices and legal proceedings entered into, given or instituted pursuant hereto or relating directly or indirectly hereto, be drawn up in English. Les parties reconnaissent avoir convenu que la rédaction du présente document sera en Anglais, ainsi que tous documents, avis et procédures judiciaires exécutés, donnés ou intentés à la suite de ou en rapport, directement ou indirectement, avec les procédures concernées.

## **ADDITIONAL WARRANTY COVERAGE**

Graco does provide extended warranty and wear warranty for products described in the "Graco Contractor Equipment Warranty Program".

# Graco Information

For the latest information about Graco products, visit [www.graco.com](http://www.graco.com).

**TO PLACE AN ORDER**, contact your Graco distributor or call 1-800-690-2894 to identify the nearest distributor.

**All written and visual data contained in this document reflects the latest product information available at the time of publication. Graco reserves the right to make changes at any time without notice.**

**For patent information, see [www.graco.com/patents](http://www.graco.com/patents).**

Original instructions. **This manual contains English. MM 313385**

**Graco Headquarters:** Minneapolis

**International Offices:** Belgium, China, Japan, Korea

**GRACO INC. AND SUBSIDIARIES • P.O. BOX 1441 • MINNEAPOLIS MN 55440-1441 • USA**  
**Copyright 2012, Graco Inc. All Graco manufacturing locations are registered to ISO 9001.**

**[www.graco.com](http://www.graco.com)**

**Revision D, 11/2018**