

# Installation



## Kit, Bead Dispenser LineLazer™ IV 3900, 5900, 200HS Airless Line Stripers

311068E

**- For application of line striping materials -**

ENG

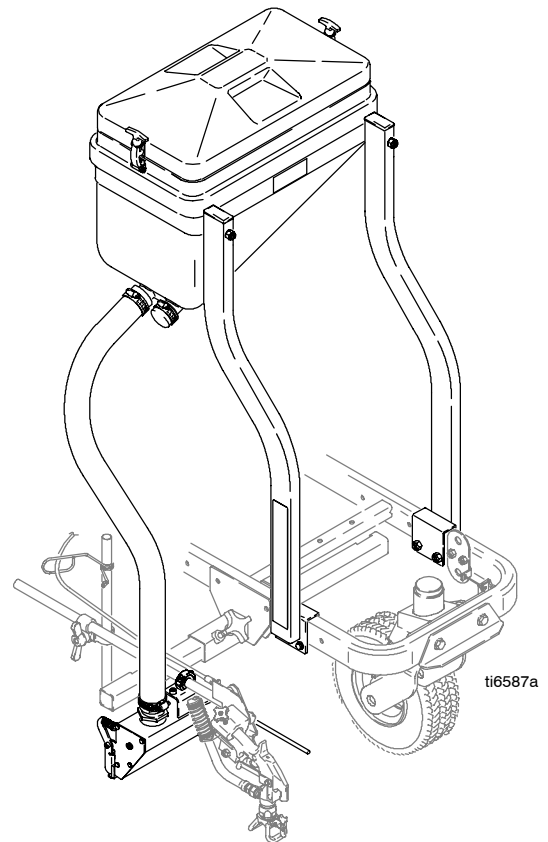
*3300 psi (228 bar, 22.8 MPa) Maximum Working Pressure*



### Important Safety Instructions

Read all warnings and instructions in this manual. Save these instructions.

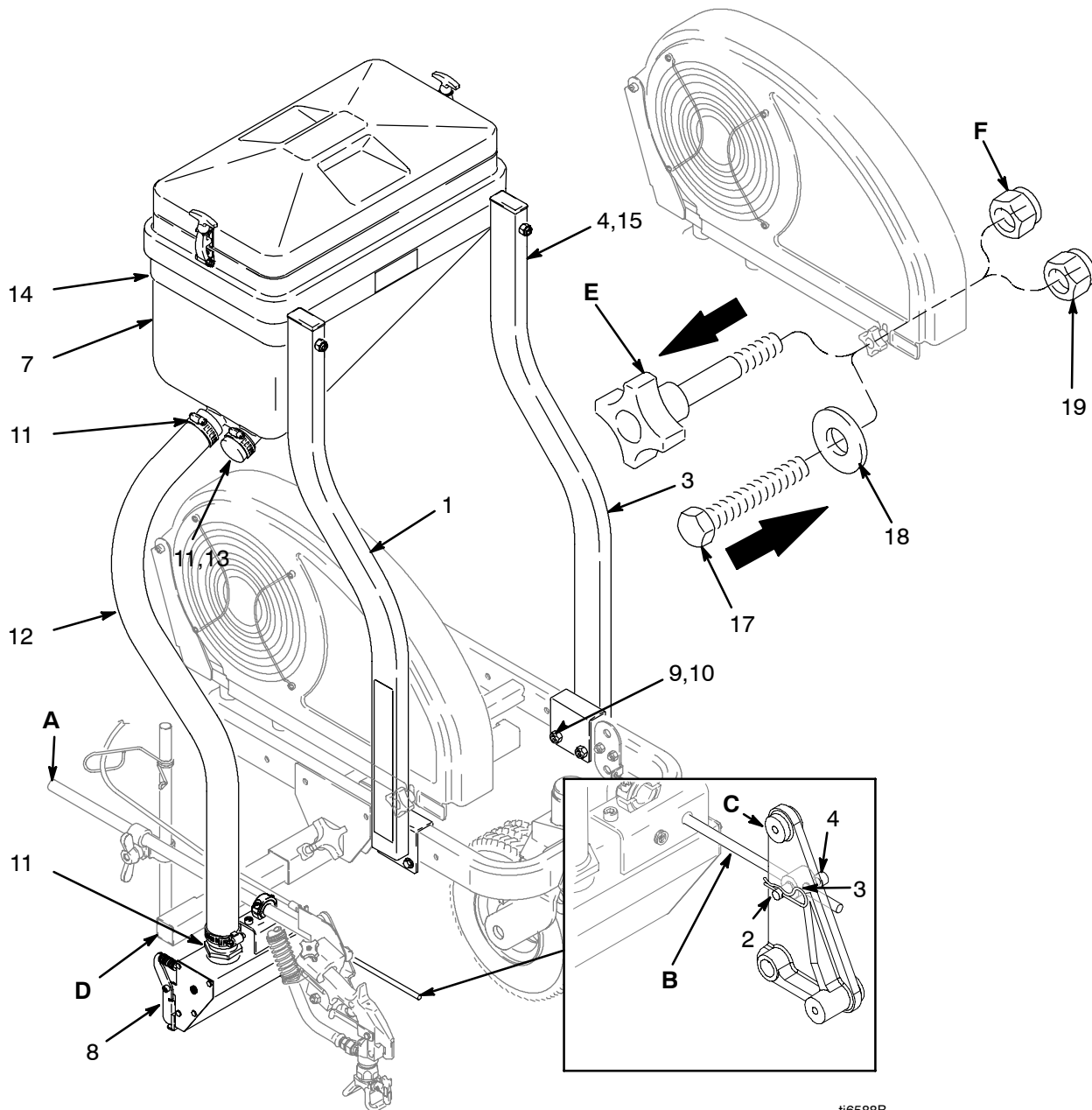
Line Lazer IV 3900, 5900, 200HS	Model	Series
Glass bead system with one 6-in. (152 mm) dispenser	277065	A
Glass bead system with two 6-in. (152 mm) dispensers	277064	A
6-in. (152 mm) dispenser and hose	277067	A
12-in. (305 mm) dispenser and 2 hoses	245516	A



PROVEN QUALITY. LEADING TECHNOLOGY.



# Beads Dispenser Kit



ti6588B

Fig. 1

## Setup

**Note:** Glass bead system and paint guns can be mounted on either side of Linstriper.



1. Relieve pressure; refer to your sprayer manual.
2. Remove pronged knob (E) and nut (F). Install screw (17), washer (18) and nut (19).
3. Fig. 1. Bolt bead hopper frame legs (1, 3) to Linstriper with four flange head cap screws (9) and lock nuts (10).

4. Place bead hopper ring (14) into holes in bead hopper legs.
5. Bolt bead hopper and bead hopper ring together with washers (15) and lock nuts (4) from kit bag.
6. Install bead hopper (7) on gun-side on top of beads hopper frame.
7. Remove collar from mounting block of dispenser (8). Locate dispenser on gun support and reconnect collar to attach dispenser to support.

## Setup (continued)

8. Move bead dispenser to desired location on rod. Loosen screw (4) and position link (3) to connect to gun trigger actuator (C). Tighten screw (4) and attach dispenser connecting rod (B) to gun trigger with bridge pin (2).
9. Position spray gun and bead dispenser assembly (D) to position to be used in bead application and tighten
10. Attach bead hose(s) (12)
  - a. 6 in.: Attach bead hose (12) to bead hopper outlet with hose clamp (11). Plug other bead hopper outlet with cap (13) and clamp (11).
  - b. 12 in.: Attach two bead hoses (12) to bead hopper outlets with hose clamps (11).
11. Route bead hose down to bead dispenser inlet.

### CAUTION

To avoid bead stoppage in hose during use, make sure bead hose is in an arc curved downward with no kinks or high spots.

12. Mark on bead hose where it will connect to bead dispenser inlet.
13. Cut bead hose on mark and attach to bead dispenser inlet using clamp (11). Hoses must be cut as short as possible to allow good bead flow.

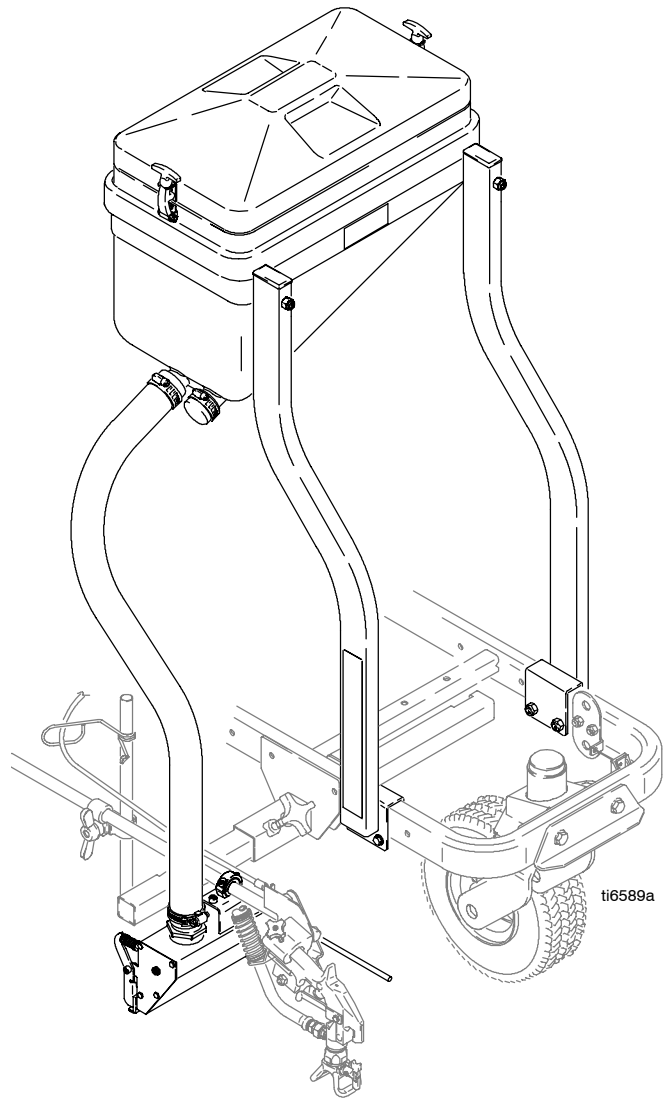


Fig. 2

# Bead Dispenser Kit

## Dispenser Adjustments

Fig. 3. Adjust dispenser plates up or down for desired bead flow. Typical flow rates range between 6 - 8 lb of glass bead per gallon paint.

Fig. 4. Bead dispensers (A) are located behind paint guns. If not adjusted properly, they may miss a short area at end of each paint stripe. Adjust gun cables so guns trigger at midpoint of handle-bar trigger. Adjust bead dispensers (A) so beads flow immediately when trigger is pulled. This ensures independent control to keep beads flowing after paint is turned off.

## Operation

Operate the Linestriper as in normal striper operation. Refer to LineLazer repair manual for paint spray tip recommendations.

Only use dry clean beads. Any moisture or contamination with beads will cause poor bead flow. A window type screen can be used to remove unwanted debris before filling glass bead hopper.

### CAUTION

To avoid beads stoppage, do not use wet beads or beads that have absorbed moisture. If beads stoppage is occurring, replace with dry beads.

### CAUTION

Do not get beads in paint. Beads contaminating the paint supply can damage the pump. Make sure that the paint supply is covered during beads filling and handling.

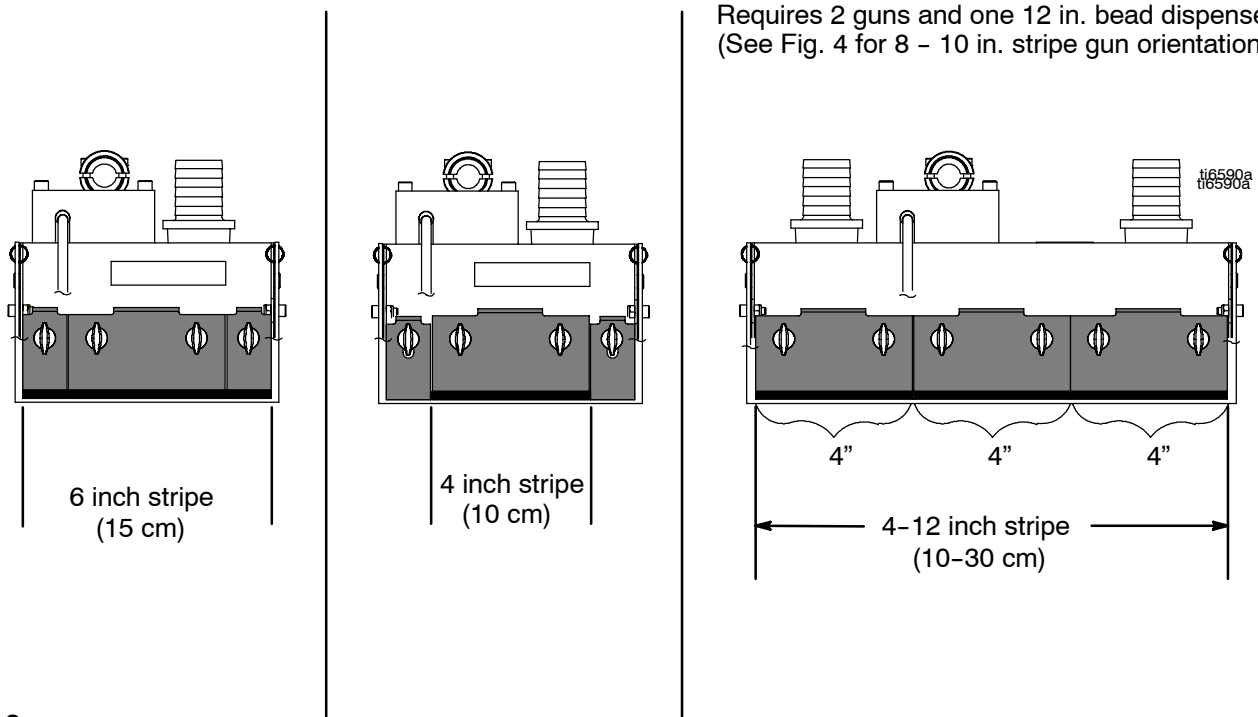
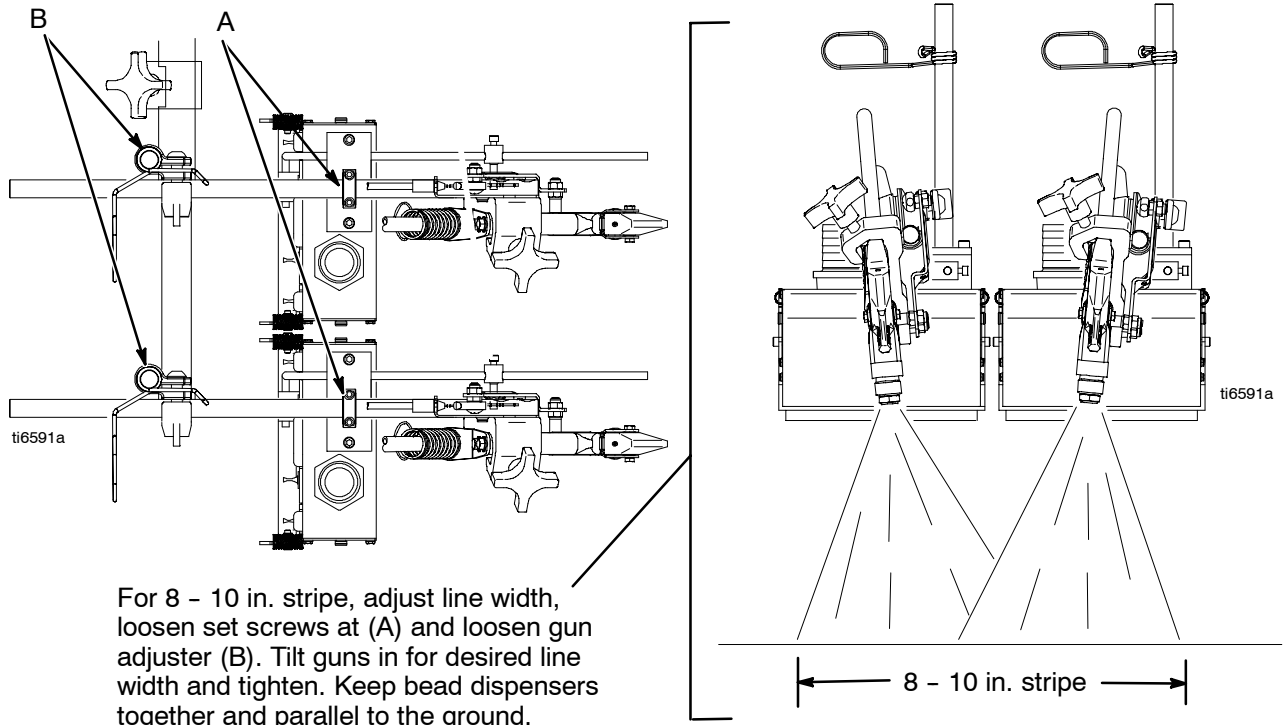


Fig. 3

# Beads Dispenser Kit

Gun orientation for 8 - 12 in. stripe operation



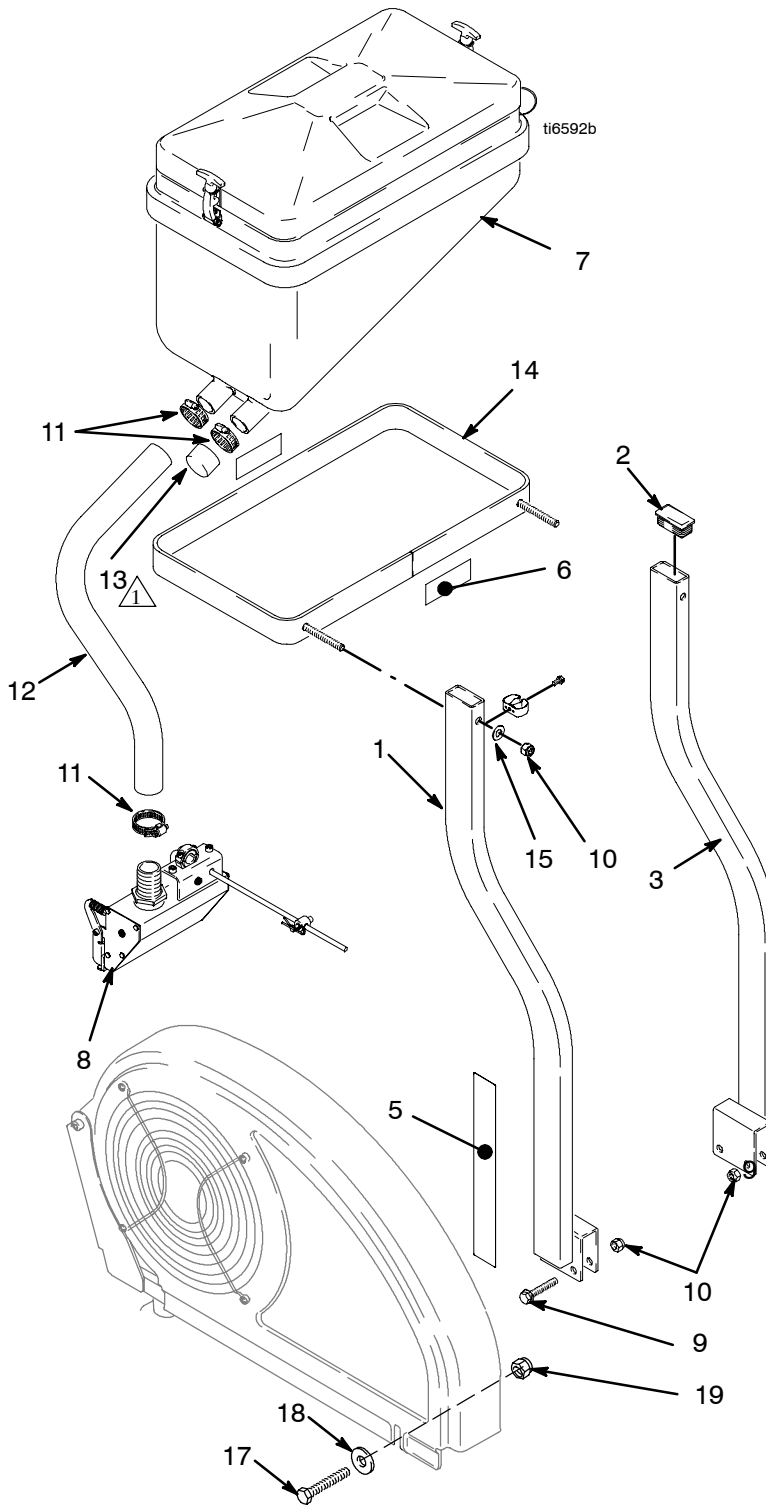
For 8 - 10 in. stripe, adjust line width, loosen set screws at (A) and loosen gun adjuster (B). Tilt guns in for desired line width and tighten. Keep bead dispensers together and parallel to the ground.

Fig. 4


## CAUTION

To avoid glass beads clumping, don't store beads in hopper when not in use. Make sure to run beads out of system when done.

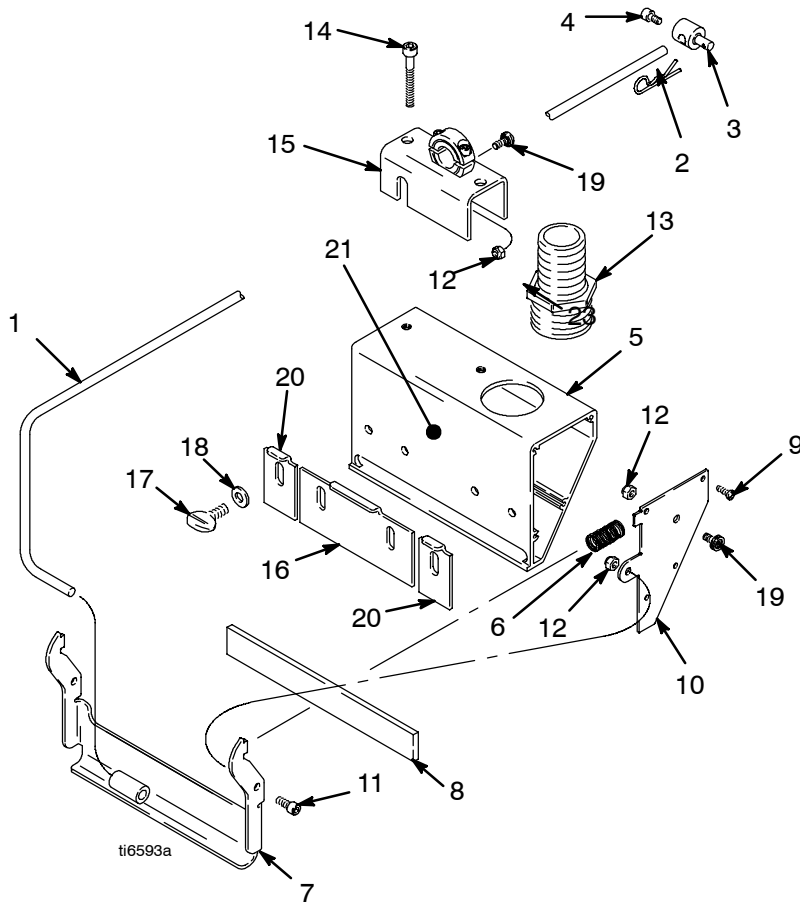
# Bead Dispenser Kit - Parts List



Ref No.	Part No.	Description	Qty
	277065	KIT, bead system	Ref
1	15F581	. LEG, hopper, RH (painted)	1
2	115087	. PLUG, tubing	2
3	15F582	. LEG, hopper, LH (painted)	1
5	194666	. LABEL, ident	2
6	194668	. LABEL, warning	2
7	241437	. HOPPER, beads	1
8		. DISPENSER ASSY KIT (includes 8, 11 & 12)	
	277067	. 6-Inch Dispenser Assy (Parts List, page 7)	1
	245516	. 12-inch Dispenser Assy (Parts List, page 8)	1
9	111194	. SCREW, cap, flng hd	4
10	101566	. NUT, lock	6
11	101818	. CLAMP, hose	3
12	194682	. HOSE, beads	1
13	403237	. CAP	1
14	287680	RING, hopper, frame	1
15	100731	WASHER	2
17	114988	SCREW, cap, hex hd	1
18	100527	WASHER, plain	1
19	102040	NUT, lock, hex	1

 Remove cap (13) and install second hose (12) and clamp (11) for 12-inch bead dispenser

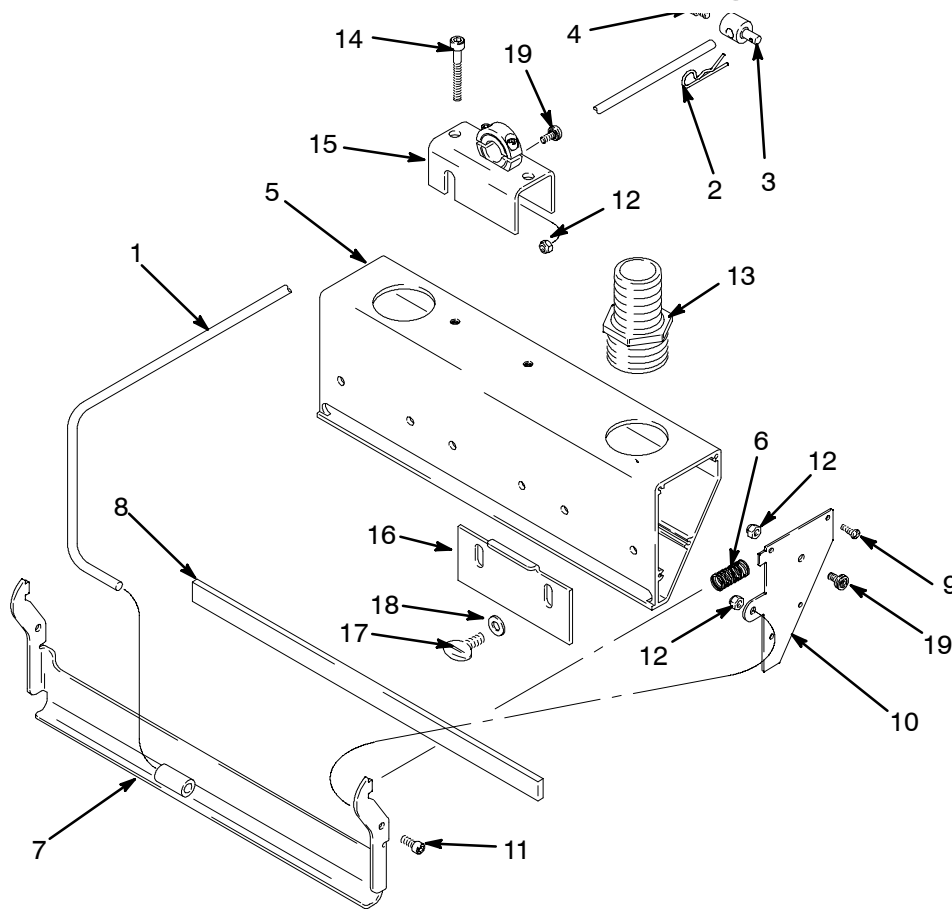
# 6-Inch Dispenser Assy - Parts List



ti0770c

Ref No.	Part No.	Description	Qty	Ref No.	Part No.	Description	Qty
	277067	DISPENSER ASSY KIT, beads (See item 8, Beads Dispenser Kit Parts List)		11	102598	. SCREW, cap, sch	2
1	198379	. ROD, connecting	1	12	115483	. NUT, lock	5
2	114814	. PIN, bridge	1	13	116998	. FITTING, hose, barb	1
3	15A264	. LINK, mounting, adjustable	1	14	101885	. SCREW, cap, sch	2
4	198058	. SCREW, cap, schd, 10-24 x 3/8	1	15	245679	. BLOCK, mounting	2
5	15F363	. HOUSING, dispenser, 6 in.	1	16	198380	. PLATE, slide	1
6	117155	. SPRING, compression	2	17	100085	. SCREW, thumb	4
7	15F357	. DOOR, dispenser, 6 in.	1	18	100086	. WASHER	4
8	15F366	. PAD, foam, 6 in.	1	19	117275	. STUD, button, snap	3
9	117576	. SCREW, machine, hex wash hd	8	20	15F367	. PLATE, slide	2
10	198376	. CAP, end, bead dispenser	2	21	166362	. LABEL, Ident	1

# 12-Inch Dispenser Assy - Parts List



ti2066a

Ref No.	Part No.	Description	Qty	Ref No.	Part No.	Description	Qty
	245516	DISPENSER ASSY KIT, beads (See item 8, Beads Dispenser Kit Parts List)	REF	9	117576	. SCREW, machine, hex washer hd	8
1	198379	. ROD, connecting	1	10	198376	. SCREW, door, hex	2
2	114814	. PIN, bridge	1	11	102598	. SCREW, cap, socket head	2
3	15A264	. LINK, mounting, adjustable	1	12	115483	. NUT, lock	5
4	198058	. SCREW, cap, socket head	1	13	116998	. FITTING, hose, barb	2
5	245799	. HOUSING KIT, dispenser	1	14	101885	. SCREW, cap, socket head	2
6	117155	. SPRING, compression	2	15	245679	. BLOCKING, mounting	1
7	198378	. DOOR, dispenser	1	16	198380	. PLATE, slide	3
8	116680	. PAD, foam, die-cut	1	17	100085	. SCREW, thumb	6
				18	100086	. WASHER	6
				19	117275	. STUD, button, snap	3

## Graco Phone Number

**TO PLACE AN ORDER**, contact your Graco distributor, or call this number to identify the distributor closest to you:  
**1-800-690-2894 Toll Free.**

*All written and visual data contained in this document reflect the latest product information available at the time of publication. Graco reserves the right to make changes at any time without notice.*

Original instructions. This manual contains English: MM 311068

**Graco Headquarters:** Minneapolis

**International Offices:** Belgium, China, Japan, Korea

**GRACO INC. P.O. BOX 1441 MINNEAPOLIS, MN 55440-1441**

**Copyright 2005, Graco Inc. is registered to ISO 9001**

[www.graco.com](http://www.graco.com)

Revised 06/2011