

# LineLazer™ V 130HS Airless Line Stripers

3A3391C

EN

**For the application of line striping materials.**  
**For professional use only.**  
**For outdoor use only.**  
**Not for use in explosive atmospheres or hazardous locations.**

Maximum Operating Pressure: 3300 psi (22.8 MPa, 228 bar)

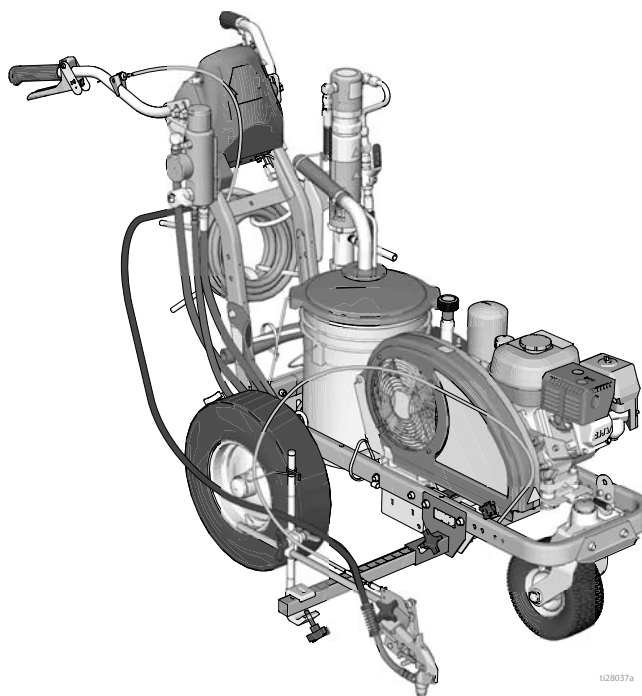


### Important Safety Instructions

Read all warnings and instructions in this manual and in related manuals.  
 Be familiar with the controls and the proper usage of the equipment.  
 Save these instructions.

LineLazer V 130HS		
Model:	Standard 1 Manual Gun	Standard 2 Manual Guns
17H447	✓	
17H448		✓
25P336	✓	
25P337		✓

Related Manuals:	
3A3392	Operation
311254	Gun
311845	Pump



t128037a

*Use only genuine Graco replacement parts.  
 The use of non-Graco replacement parts may void warranty.*





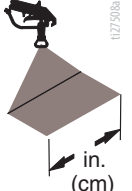
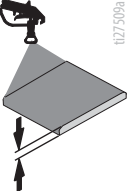
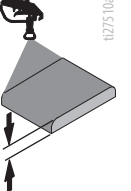
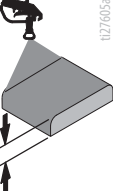


# Contents

<b>Tip Selection</b> .....	<b>3</b>
<b>Notes</b> .....	<b>4</b>
<b>LineLazer V 130HS Parts</b> .....	<b>5</b>
<b>Parts Drawing - LineLazer V 130HS</b> .....	<b>6</b>
<b>Parts List</b> .....	<b>7</b>
<b>Parts Drawing - LineLazer V 130HS</b> .....	<b>8</b>
<b>Parts List</b> .....	<b>9</b>
Gun Holder and Arm .....	9
Gun Trigger .....	9
<b>Parts Drawing - LineLazer V 130HS</b> .....	<b>10</b>
<b>Parts List</b> .....	<b>11</b>
<b>Parts Drawing - LineLazer V 130HS</b> .....	<b>12</b>
<b>Parts List</b> .....	<b>13</b>
<b>Parts Drawing - LineLazer V 130HS</b> .....	<b>14</b>
<b>Parts List</b> .....	<b>15</b>
<b>Parts Drawing - LineLazer V 130HS</b> .....	<b>16</b>
<b>Parts List</b> .....	<b>17</b>
<b>Technical Data</b> .....	<b>18</b>
Accessories .....	18
<b>Notes</b> .....	<b>19</b>
<b>Graco Standard Warranty</b> .....	<b>20</b>
<b>Graco Information</b> .....	<b>20</b>

<b>Manual</b>	<b>Language</b>
<b>3A3391</b>	English
<b>3A3761</b>	French
<b>3A3762</b>	Spanish
<b>3A3769</b>	Dutch
<b>3A3772</b>	German
<b>3A3777</b>	Italian
<b>3A3707</b>	Russian
<b>3A3781</b>	Polish
<b>3A3763</b>	Chinese
<b>3A3764</b>	Korean
<b>3A3765</b>	Japanese

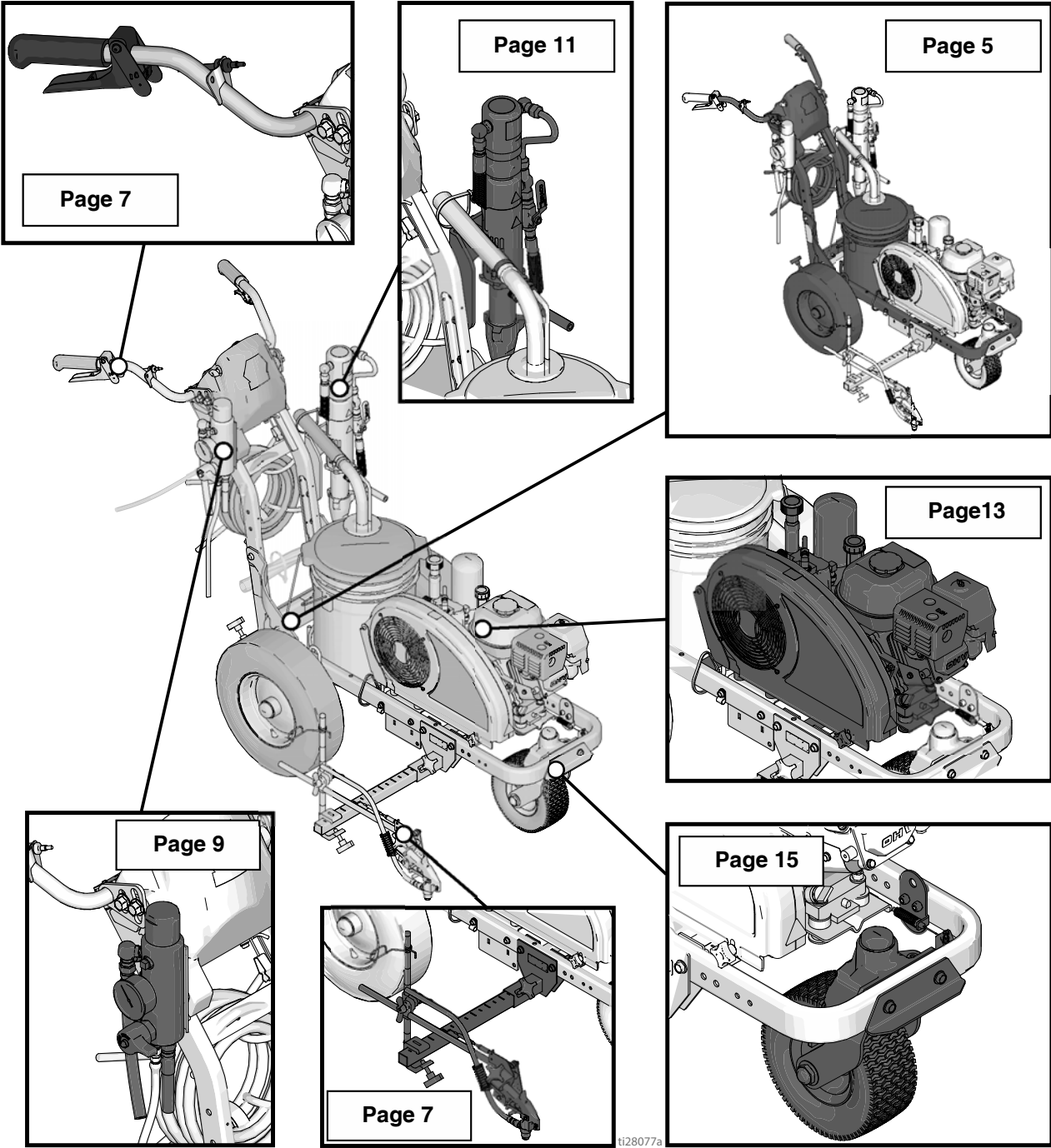
# Tip Selection

							
	in. (cm)	in. (cm)	in. (cm)	in. (cm)			
<b>LL5213*</b>	2 (5)				✓		
<b>LL5215*</b>	2 (5)					✓	
<b>LL5217</b>		4 (10)				✓	
<b>LL5219</b>		4 (10)					✓
<b>LL5315*</b>		4 (10)			✓		
<b>LL5317</b>		4 (10)			✓		
<b>LL5319</b>		4 (10)				✓	
<b>LL5321</b>		4 (10)				✓	
<b>LL5323</b>		4 (10)				✓	
<b>LL5325</b>		4 (10)					✓
<b>LL5327</b>		4 (10)					✓
<b>LL5329</b>		4 (10)					✓
<b>LL5331</b>		4 (10)					✓
<b>LL5333</b>		4 (10)					✓
<b>LL5335</b>		4 (10)					✓
<b>LL5355</b>		4 (10)					✓
<b>LL5417</b>			6 (15)		✓		
<b>LL5419</b>			6 (15)		✓		
<b>LL5421</b>			6 (15)		✓		
<b>LL5423</b>			6 (15)			✓	
<b>LL5425</b>			6 (15)			✓	
<b>LL5427</b>			6 (15)			✓	
<b>LL5429</b>			6 (15)			✓	
<b>LL5431</b>			6 (15)				✓
<b>LL5435</b>			6 (15)				✓
<b>LL5621</b>				12 (30)	✓		
<b>LL5623</b>				12 (30)	✓		
<b>LL5625</b>				12 (30)	✓		
<b>LL5627</b>				12 (30)	✓		
<b>LL5629</b>				12 (30)	✓		
<b>LL5631</b>				12 (30)		✓	
<b>LL5635</b>				12 (30)		✓	
<b>LL5639</b>				12 (30)			✓

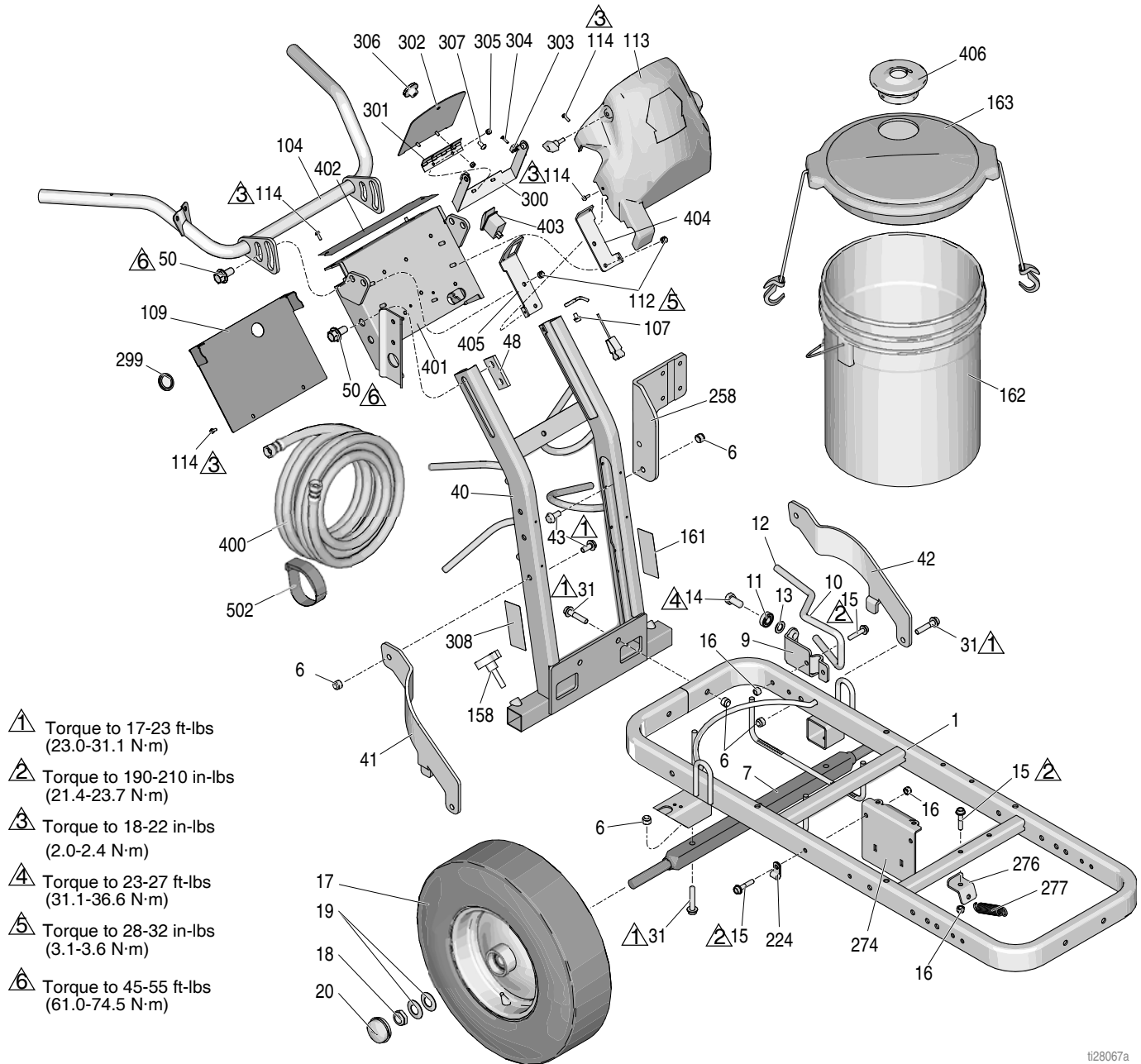
\* Use 100 mesh filter to reduce tip clogs.



# LineLazer V 130HS Parts



# Parts Drawing - LineLazer V 130HS



ti26067a

# Parts List

Ref	Part	Description	Qty	Ref	Part	Description	Qty
1	287623	FRAME, linelazer (painted)	1	158	108471	KNOB, pronged	1
6	101566	NUT, lock	12	161▲	17K394	LABEL, gmax warning fire & skin	1
7	193405	AXLE	1	162	115077	PAIL, plastic	1
9	198891	BRACKET	1	163	24U241	KIT, pail cover	1
10	198930	ROD, brake (includes 12)	1	224	17H721	CLAMP, wire	1
11	198931	BEARING	1	258	17H681	BRACKET, mount, pump, hydraulic	1
12	114808	CAP, orange	1	274	17J549	BRACKET, reservoir	1
13	195134	SPACER	1	276	15F441	BRACKET, frame	1
14	113961	SCREW, cap, hex hd	1	277	119696	SPRING, extension	1
15	112960	SCREW, flange, hex	5	299	17K310	PLUG, button 1 3/32	1
16	111040	NUT, lock, insert, nylock, 5/16	5	300	17K235	BRACKET, access door	1
17	111020	WHEEL, pneumatic	2	301	17K236	HINGE	1
18	112405	NUT, lock	2	302	17K291	DOOR, access	1
19	112825	WASHER	4	303	17K309	MAGNET, square	2
20	114648	CAP, dust	2	304	107070	SCREW, mach, flh	2
31	114982	SCREW, cap flang hd	6	305	109466	NUT, lock, hex	4
40	24Y665	FRAME, handle upright, painted	1	306	17K320	KNOB, ribbed	1
41	15F576	BRACE, right (painted)	1	307	112925	SCREW, cap	1
42	15F577	BRACE, left (painted)	1	308▲	17K392	LABEL, safety, warning, skin injection	1
43	128977	SCREW, cap button hd	4	400	124884	HOSE, coupled, 3/8 x 20'	1
48	17J125	BRACKET, slide	2	401	24Y642	PLATE, control	1
50	17J136	SCREW, hex, flange head	8	402	17K434	LABEL, control, 130 hs	1
104	24Y641	HANDLEBAR	1	403	128855	SWITCH, rocker	1
107	107257	SCREW, thread forming, hex hd	1	404	17J126	BRACKET, shroud	1
109	17J123	PLATE, cover	1	405	17J128	BRACKET, switch	1
112	102040	NUT, lock, hex	4	406	278722	GASKET, pail	1
113	17J135	COVER, control, painted	1	502	114271	STRAP, retaining	1
114	128978	SCREW, mach, slot hex wash hd	8				

▲ Replacement warning labels may be ordered free of charge





# Parts List

## Gun Holder and Arm

Ref.	Part	Description	Qty.
6	101566	NUT, lock	2
31	114982	SCREW, cap, flng hd	2
39	17H528	BRACKET, gun arm	1
112	102040	NUT, lock, hex	3
115	17J407	ARM, extension, bar	1
116	17J424	BAR, height adjustment	1
118	24Y645	KIT, clamp, double wing nut	1
119	25A528	BAR, gun holder assembly	1
120	15F208	CABLE, gun	1
121	188135	GUIDE, cable	1
122	248157	GUN, flex, basic	1
128▲	16P136	LABEL, safety, warning, iso	1
151	119648	SCREW, mach	1
158	108471	KNOB, pronged	1
159	111145	KNOB, pronged	1
407	17J139	BAR, gun, height, adjustment	1
408	17J153	BRACKET, gun, holder	1
409	113428	SCREW, mach, hex hd	3
410	243161	GUARD	1
411‡	15F750	KNOB, holder, gun	1
412	17J575	FASTENER	1
413‡	15F216	HOLDER, gun	1
414‡	119664	BEARING, sleeve	1
415	15F209	STUD, pull, trigger	1
416	17J576	SPACER	1
417	15F211	STUD, cable	1
418	15F214	ACTUATOR, lever	1
419	119647	SCREW, cap, socket	2
420	17J145	ARM, holder, gun	1
501	15F213	BRACKET, cable	1

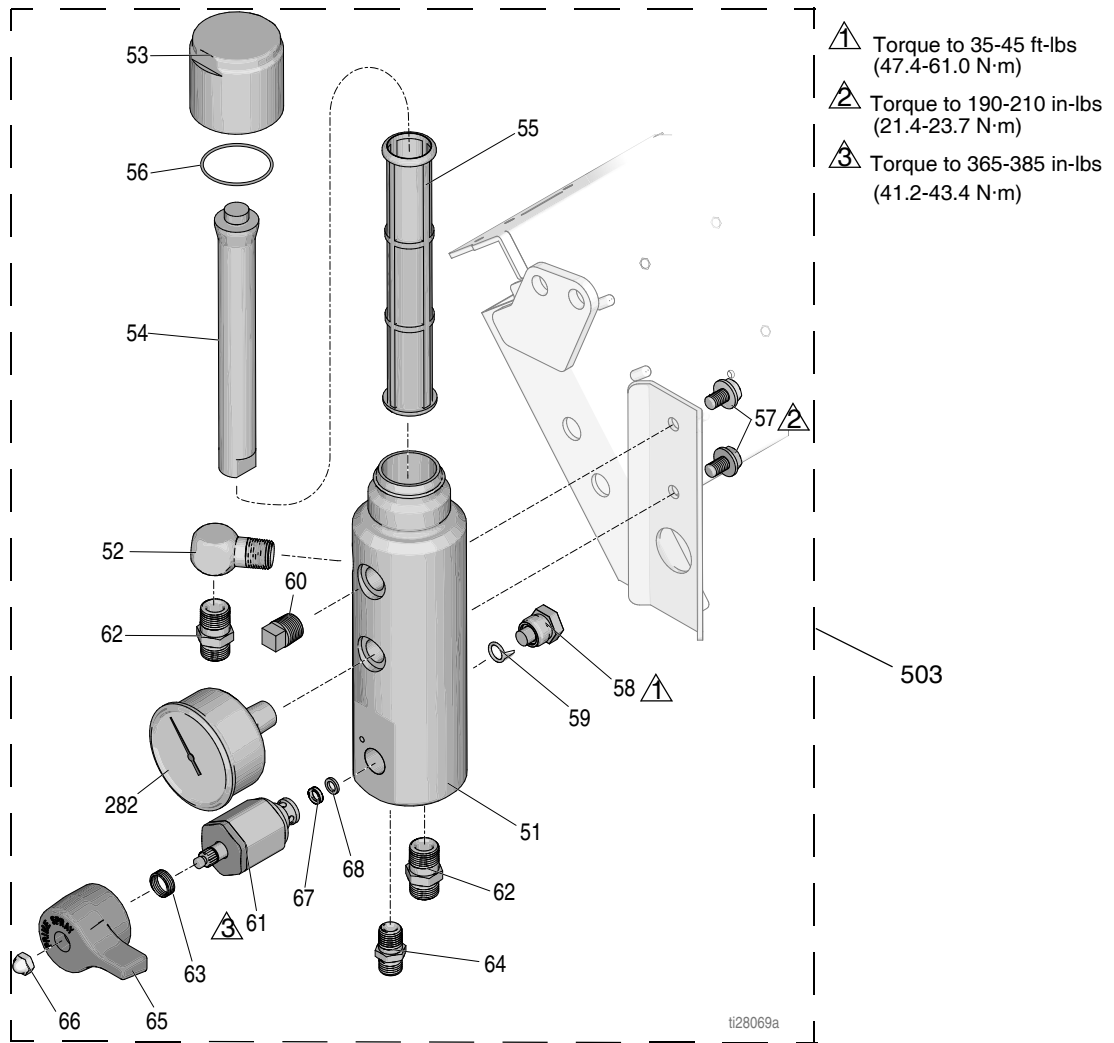
‡ Included in Gun Holder Repair Kit 287569

▲ Replacement warning labels may be ordered free of charge

## Gun Trigger

Ref.	Part	Description	Qty.
105	114659	GRIP, handle	2
126	15F624	NUT, cable, gun (knurled)	2
131	198896	BLOCK, mounting	1
132	245676	HANDLE	1
133	198895	PLATE, lever, pivot	2
134	111017	BEARING, flange	2
135	116941	SCREW, shoulder, skt hd	1
136	116969	NUT, lock	2
287	128803	SCREW, thd forming, hex washer	1

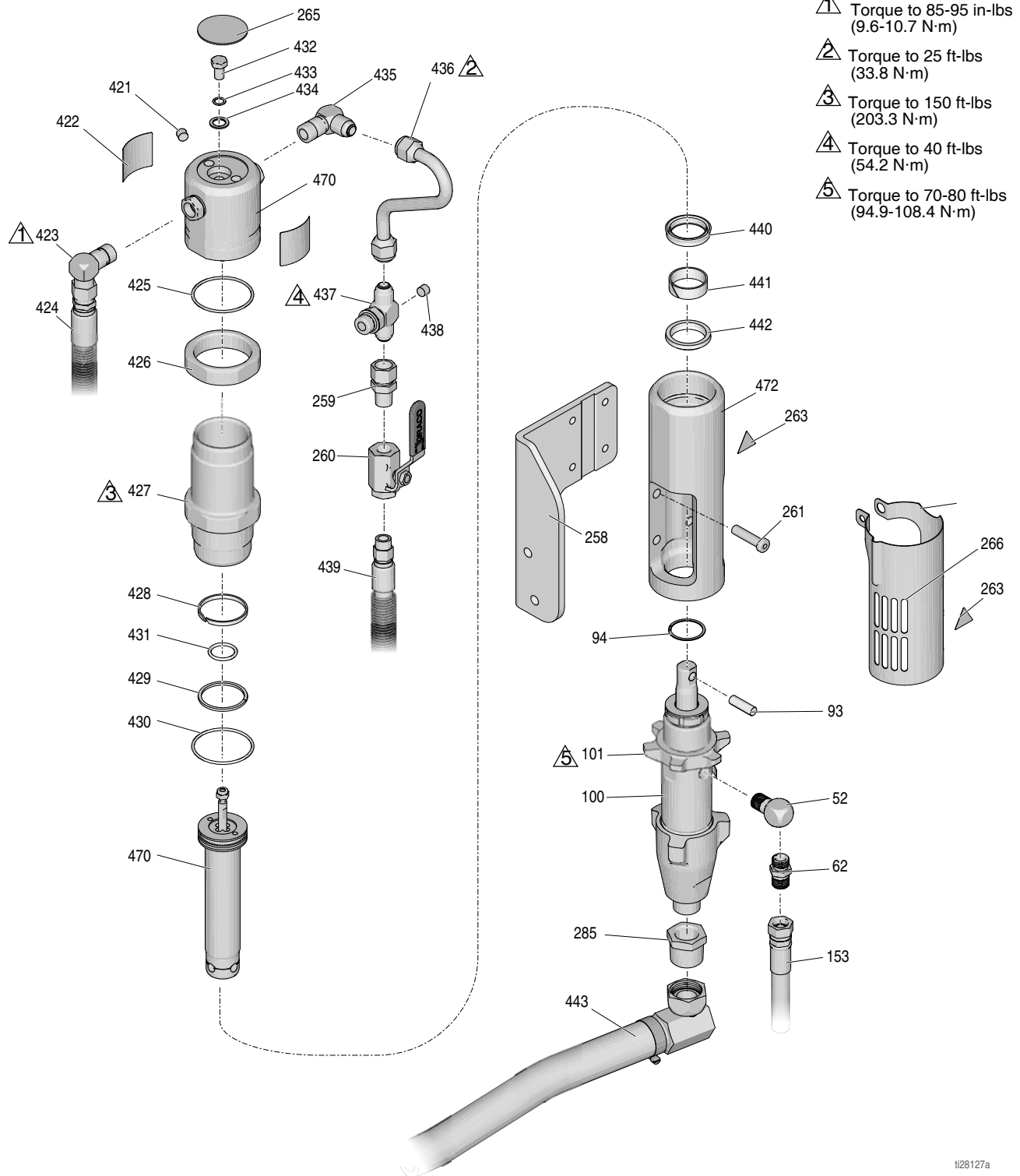
# Parts Drawing - LineLazer V 130HS



# Parts List

Ref	Part	Description	Qty	Ref	Part	Description	Qty
51	17K166	MANIFOLD, filter	1	62	196178	ADAPTER, nipple	2
52	196179	FITTING, elbow, street	1	63	114708	SPRING	1
53‡	15C765	CAP, filter	1	64	196181	FITTING, nipple	2
54‡	15C766	TUBE, diffusion	1	65	15G563	HANDLE, valve	1
55	25A465	FILTER, fluid	1	66	116424	NUT, cap	1
56‡	117285	PACKING, o-ring	1	67	193709	SEAT, valve	1
57	111801	SCREW, cap, hex hd	2	68	193710	SEAL, seat, valve	1
58	15Y462	PLUG, transducer	1	282	868015	GAUGE, pressure	1
59	111457	PACKING, o-ring	1	503	25A787	KIT, repair, manifold	1
60	15G331	PLUG, pipe	1				
61	245103	VALVE, drain, assy (includes 65, 66, 67, 68)	1			‡ Included in Cap Repair Kit 287285	

# Parts Drawing - LineLazer V 130HS



t28127a

# Parts List

Ref	Part	Description	Qty	Ref	Part	Description	Qty
52	196179	FITTING, elbow, street	1	428*‡◆	178207	BEARING, piston	1
62	196178	ADAPTER, nipple	2	429*‡◆	178226	SEAL, piston	1
93	15J141	PIN, pump	1	430*‡◆	117283	PACKING, o-ring	1
94	116551	RING, retainer	1	431*‡◆	108014	PACKING, o-ring	1
100	24B748	PUMP, displacement	1	432‡◆	106276	SCREW, cap, hex head	1
101	193031	NUT, retaining	1	433‡◆	155685	PACKING, o-ring	1
153	245797	HOSE, coupled 3/8 x 3'	1	434‡◆	178179	WASHER, sealing	1
258	17H681	BRACKET, mount, pump, hydraulic	1	435◆	117607	FITTING, elbow	1
259	117328	FITTING, nipple, straight	1	436	15F519	TUBE, hydraulic, supply	1
260	117441	VALVE, ball	1	437	119841	FITTING, tee, branch	1
261◆	107210	SCREW	4	438	100139	PLUG, pipe	1
263▲	15H108	LABEL, warning, pinch point	2	439	287175	KIT, repair, hose	1
265‡◆	15B063	LABEL, safety, warning, hot surface	1	440*◆	112561	PACKING, block	1
266	24X473	COVER, assy, pump rod, gh 130/200	1	441*◆	112342	BEARING, rod	1
285	15Y463	FITTING, bushing	1	442*◆	117739	WIPER, rod	1
421‡◆	100139	PLUG, pipe	1	443	24V064	KIT, repair, suction	1
422‡◆	15B804	LABEL, graco logo	1	470◆	288735	KIT, repair, trip rod/piston	1
423◆	117607	FITTING, elbow std	2	472	15H953	MANIFOLD	1
424	287176	KIT, repair, hose	1				
425*‡◆	105765	PACKING, o-ring	1				
426‡◆	15A726	NUT, jam	1				
427‡◆	246176	KIT, repair, sleeve	1				

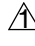
\* Included in Hydraulic Seal Repair Kit 246174


‡ Included in Trip Rod/Piston Repair Kit 288735


◆ Included in Hydra Motor Repair Kit 288758

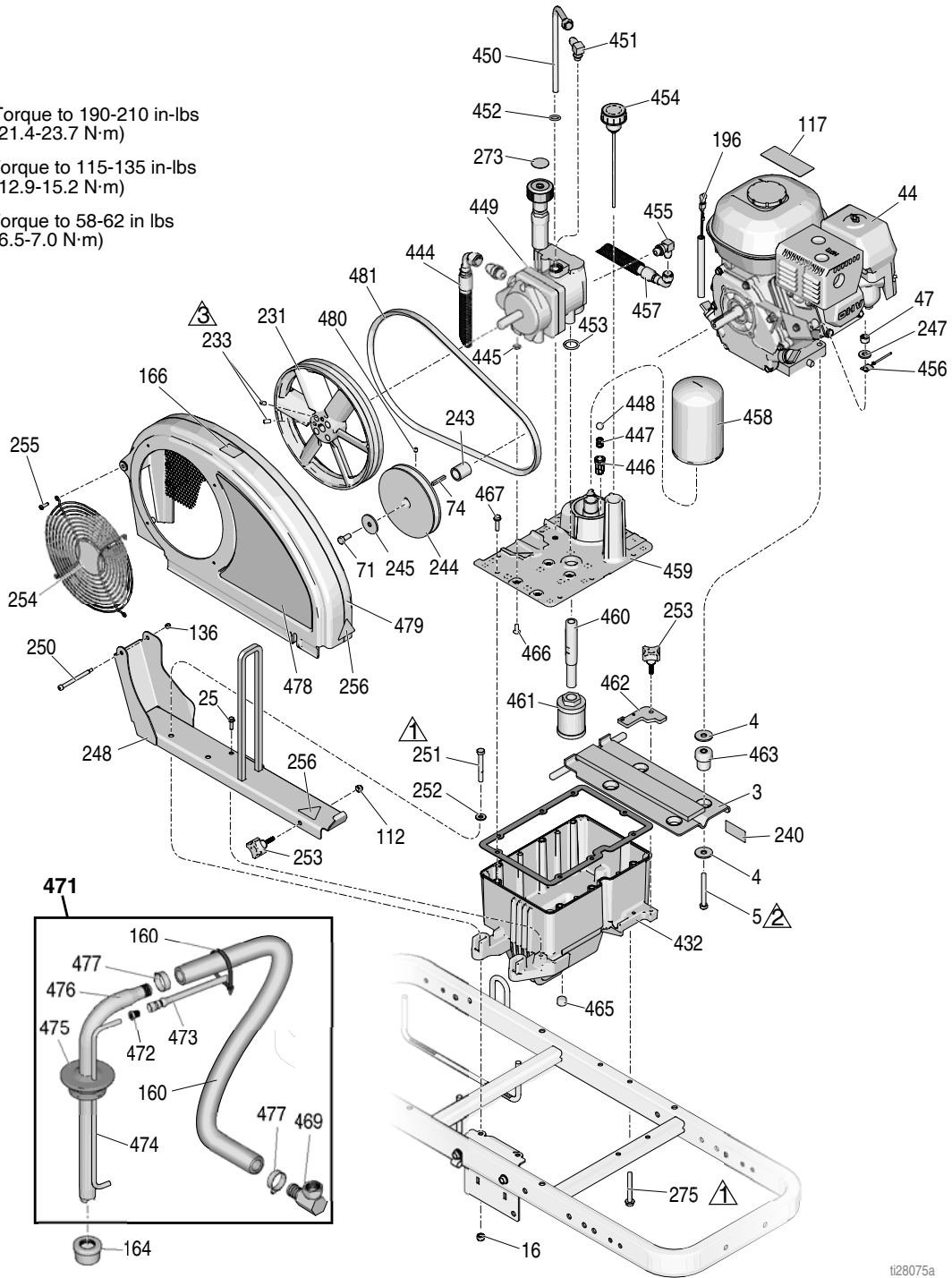
▲ Replacement warning labels may be ordered free of charge

# Parts Drawing - LineLazer V 130HS

 Torque to 190-210 in-lbs  
(21.4-23.7 N·m)

 Torque to 115-135 in-lbs  
(12.9-15.2 N·m)

 Torque to 58-62 in lbs  
(6.5-7.0 N·m)



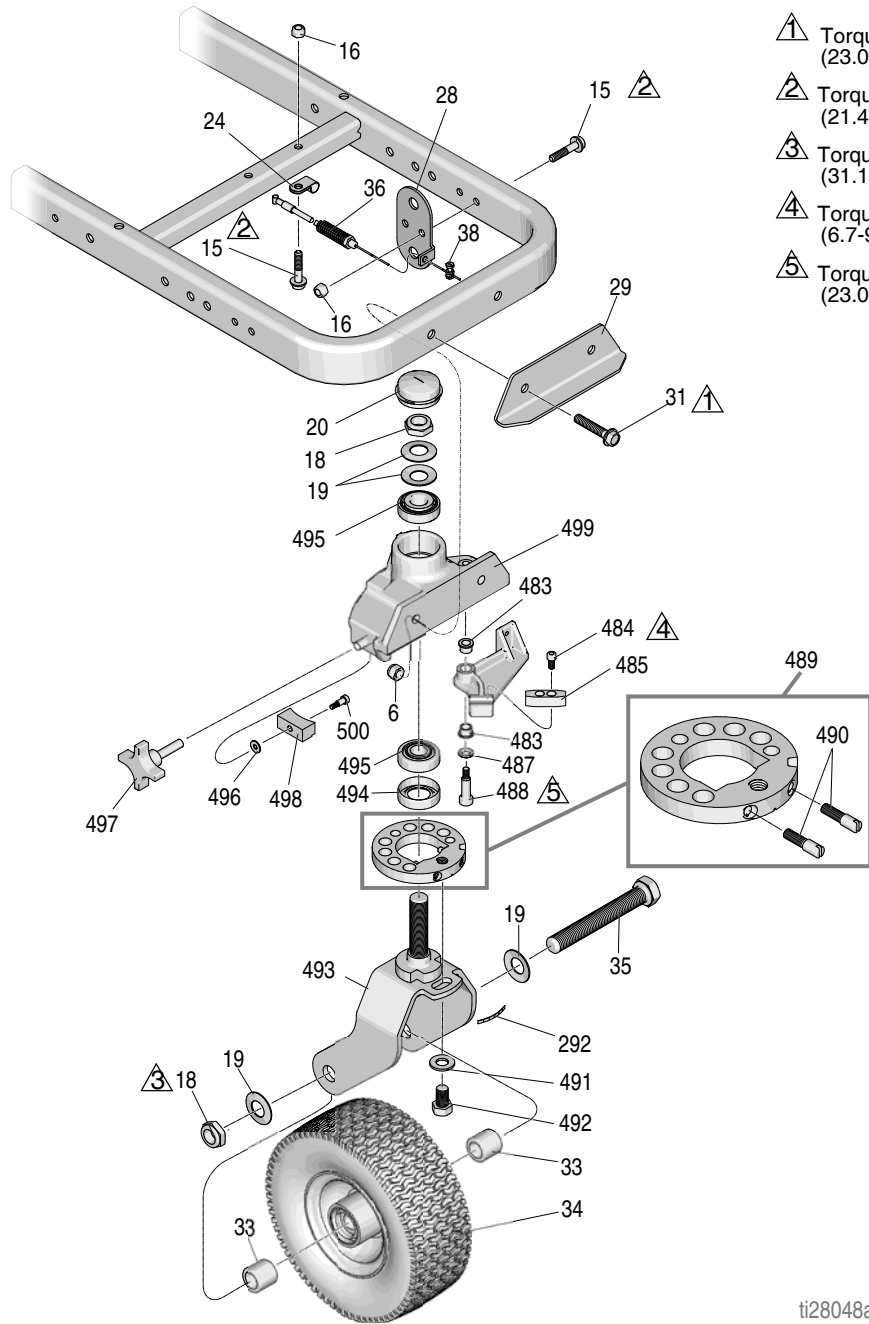
t28075a

# Parts List

Ref	Part	Description	Qty	Ref	Part	Description	Qty
3	15F485	BRACKET, mount, engine	1	444	287176	HOSE, hydraulic	1
4	108851	WASHER, plain	8	445	107188	PACKING, o-ring	4
5	113664	SCREW, cap, hex hd	4	446	198841	RETAINER, ball	1
16	111040	NUT, lock, insert, nylock, 5/16	2	447	116967	SPRING, compression	1
25	260212	SCREW	1	448	100084	BALL, metallic	1
44	120590	ENGINE, gasoline, 4.0 HP	1	449	288733	KIT, repair	1
	288678	KIT, repair, engine 4.0 HP (includes 3, 4, 5, 47, 71, 74, 243, 244, 245, 247, 463, 481)	1	450	246167	KIT, repair, case drain (includes 452)	1
	25P297	ENGINE, gasoine, 4.0 HP (China only)	1	451	110792	FITTING, elbow, male	1
	25P938	KIT, repair, engine, 4.0 HP (China only)	1	452	154594	PACKING, o-ring	1
				453	156401	PACKING, o-ring	1
47	110838	NUT, lock	4	454	120726	CAP, breather, filler	1
71	108842	SCREW, cap, hex hd	1	455	116829	FITTING	1
74	117632	KEY, square, 3/16 x 1.25	1	456	240997	CONDUCTOR, ground	1
112	102040	NUT, lock, hex	1	457	287175	KIT, repair, hose	1
117▲	194126	LABEL, warning	1	458	246173	KIT, repair, oil filter	1
136	116969	NUT, lock	2	459	15M057	COVER, reservoir, 200 hs	1
160	404989	STRAP, tie	2	460	15E587	TUBE, suction	1
164	181072	STRAINER, inlet	1	461	116919	FILTER, screen, suction	1
166	16D576	LABEL, made in USA	1	462	15E476	BRACKET, retainer	1
196	114956	TERMINAL, wire tap, insulated	1	463	15E888	DAMPENER, motor mount	1
231	16U205	PULLEY, fan	1	464	120604	GASKET, reservoir	1
233	120087	SCREW, set, 1/4 x 1/2	2	465	101754	PLUG, pipe, 3/8 nptf	1
240	15K440	LABEL, brand, GH EH cooling	1	466	117471	SCREW, mach, hex flat	4
243	15B314	SLEEVE, motor shaft	1	467	119426	SCREW, cap, sch	8
244	116908	PULLEY, 5.50 in.	1	468	194306	HOSE, fluid	1
245	112717	WASHER	1	469	198119	FITTING, elbow	1
247	100023	WASHER, flat	4	471	24V064	HOSE, suction/drain	1
248	288261	RAIL, belt guard, assy	1	472	196180	BUSHING	1
250	119434	SCREW, shoulder, skt hd	1	473	248008	HOSE, coupling 1/4 x 44'	1
251	802277	SCREW, machine	2	474	16X071	TUBE, drain line	1
252	100527	WASHER, plain	2	475	278722	GASKET, pail	1
253	15D862	NUT, hand	2	476	15F149	TUBE, suction	1
254	117284	GRILL, fan, guard	1	477	101818	CLAMP, hose	2
255	115477	SCREW, mach, torx pan hd	4	478	17H688	LABEL, brand	1
256▲	16M768	LABEL, warning, iso, pinch hazard	2	479	288734	GUARD, belt, assembly (includes 136, 250, 254, 255)	1
273	15A464	LABEL, control	1	480	100002	SCREW, set, sch	1
275	120981	SCREW, mach, hex washer hd	2	481	119433	BELT	1
432	15J513	TANK	1				

▲ Replacement warning labels may be ordered free of charge

# Parts Drawing - LineLazer V 130HS



- ⚠ Torque to 17-23 ft-lbs (23.0-31.1 N·m)
- ⚠ Torque to 190-210 in-lbs (21.4-23.7 N·m)
- ⚠ Torque to 23-27 ft-lbs (31.1-36.6 N·m)
- ⚠ Torque to 60-80 in-lbs (6.7-9.0 N·m)
- ⚠ Torque to 17-23 ft-lbs (23.0-31.1 N·m)

ti28048a



# Parts List

Ref	Part	Description	Qty	Ref	Part	Description	Qty
6*	101566	NUT, lock	2	485*‡	193662	STOP, wedge	1
15	112960	SCREW, cap, flng hd	1	487*‡	15J603	SPACER, round	1
16	111040	NUT, lock, insert, nylon, 5/16	3	488*‡	120476	BOLT, shoulder	1
18*‡	112405	NUT, lock	2	489*‡	17H486	DISK, adjuster, assembly	1
19*‡	112825	WASHER	4	490*‡	17G762	SCREW, disk adjuster	1
20*‡	114648	CAP, dust	1	491*‡	113962	WASHER	1
24	108868	CLAMP, wire	1	492*‡	114681	SCREW, cap, hex hd	1
28‡	15F910	BRACKET, cable	1	493*‡	17H485	FORK	1
29	240991	BRACKET, caster, front	1	494*‡	113484	SEAL, grease	1
31	114982	SCREW, cap, flng hd	2	495*‡	113485	BEARING, cup/cone	2
33*‡	193658	SPACER, seal	2	496*‡	112776	WASHER, plain	1
34*	114549	WHEEL, pneumatic	1	497*‡	181818	KNOB, pronged	1
35*	113471	SCRE, cap, hex hd	1	498*‡	193661	JAW	1
36‡	241445	CABLE	1	499*‡	15G952	CASTER	1
38‡	114802	STOP, wire	1	500*‡	108483	SCREW, shoulder	1
292*‡	17H489	LABEL, disk adjustment	1				
482	112960	SCREW, cap, flng hd	2				
483*‡	114548	BEARING, bronze	2				
484*‡	110754	SCREW, cap, sch	2				

\* Included in Swivel Wheel Repair Kit 240719

‡ Included in Swivel Wheel Repair Kit 241105

# Technical Data

<b>LineLazer V 130HS</b>		
Engine	Honda GX120cc	
	<b>US</b>	<b>Metric</b>
Maximum fluid working pressure	3300 psi	(227 bar, 22.7 MPa)
Maximum free-flow delivery	1.3 gpm	4.9 lpm
Cycles per gallon/liter	85 cpg	22.5 cpl
Hydraulic reservoir capacity	1.25 gallons	(4.73 liters)
Hydraulic pressure	1825 psi	(124 bar)
<b>Maximum Tip Size</b>		
1 gun	0.037 in.	
2 guns	0.029 in.	
<b>Noise level (dBa)</b>		
Sound power	110 dBa per ISO 3744	
Sound pressure	96 dBa measured at 3.1 feet (1m)	
<b>Vibration level*</b>		
Left Hand	2.90 m/sec <sup>2</sup>	
Right Hand	2.83 m/sec <sup>2</sup>	
* Vibration measured per ISO 5349 based on 8 hr daily exposure		
<b>Inlet/Outlet Sizes</b>		
Inlet paint strainer	16 mesh stainless steel screen, reusable	
Outlet paint filter	50 mesh stainless steel screen, reusable	
Pump inlet size	1 in. npsm(m)	
Fluid outlet size	3/8 npt(f)	
<b>Dimensions/Weight</b>		
Height	44.5 in.	113.03 cm
Length	68.25 in.	173.36 cm
Width	34.25 in.	87.0 cm
Weight (dry, without packaging)	263 lb	119 kg

Wetted parts...PTFE, Nylon, polyurethane, V-Max™  
 leather, tungsten carbide, stainless steel, chrome plating,  
 nickel-plated carbon steel, ceramic

## Accessories

Must be purchased separately:

### GRACO-APPROVED HYDRAULIC OIL

196236 - 5 Gallons (19 liters)

207428 - 1 Gallon (3.8 liters)



# Graco Standard Warranty

Graco warrants all equipment referenced in this document which is manufactured by Graco and bearing its name to be free from defects in material and workmanship on the date of sale to the original purchaser for use. With the exception of any special, extended, or limited warranty published by Graco, Graco will, for a period of twelve months from the date of sale, repair or replace any part of the equipment determined by Graco to be defective. This warranty applies only when the equipment is installed, operated and maintained in accordance with Graco's written recommendations.

This warranty does not cover, and Graco shall not be liable for general wear and tear, or any malfunction, damage or wear caused by faulty installation, misapplication, abrasion, corrosion, inadequate or improper maintenance, negligence, accident, tampering, or substitution of non-Graco component parts. Nor shall Graco be liable for malfunction, damage or wear caused by the incompatibility of Graco equipment with structures, accessories, equipment or materials not supplied by Graco, or the improper design, manufacture, installation, operation or maintenance of structures, accessories, equipment or materials not supplied by Graco.

This warranty is conditioned upon the prepaid return of the equipment claimed to be defective to an authorized Graco distributor for verification of the claimed defect. If the claimed defect is verified, Graco will repair or replace free of charge any defective parts. The equipment will be returned to the original purchaser transportation prepaid. If inspection of the equipment does not disclose any defect in material or workmanship, repairs will be made at a reasonable charge, which charges may include the costs of parts, labor, and transportation.

**THIS WARRANTY IS EXCLUSIVE, AND IS IN LIEU OF ANY OTHER WARRANTIES, EXPRESS OR IMPLIED, INCLUDING BUT NOT LIMITED TO WARRANTY OF MERCHANTABILITY OR WARRANTY OF FITNESS FOR A PARTICULAR PURPOSE.**

Graco's sole obligation and buyer's sole remedy for any breach of warranty shall be as set forth above. The buyer agrees that no other remedy (including, but not limited to, incidental or consequential damages for lost profits, lost sales, injury to person or property, or any other incidental or consequential loss) shall be available. Any action for breach of warranty must be brought within two (2) years of the date of sale.

**GRACO MAKES NO WARRANTY, AND DISCLAIMS ALL IMPLIED WARRANTIES OF MERCHANTABILITY AND FITNESS FOR A PARTICULAR PURPOSE, IN CONNECTION WITH ACCESSORIES, EQUIPMENT, MATERIALS OR COMPONENTS SOLD BUT NOT MANUFACTURED BY GRACO.** These items sold, but not manufactured by Graco (such as electric motors, switches, hose, etc.), are subject to the warranty, if any, of their manufacturer. Graco will provide purchaser with reasonable assistance in making any claim for breach of these warranties.

In no event will Graco be liable for indirect, incidental, special or consequential damages resulting from Graco supplying equipment hereunder, or the furnishing, performance, or use of any products or other goods sold hereto, whether due to a breach of contract, breach of warranty, the negligence of Graco, or otherwise.

## **FOR GRACO CANADA CUSTOMERS**

The Parties acknowledge that they have required that the present document, as well as all documents, notices and legal proceedings entered into, given or instituted pursuant hereto or relating directly or indirectly hereto, be drawn up in English. Les parties reconnaissent avoir convenu que la rédaction du présente document sera en Anglais, ainsi que tous documents, avis et procédures judiciaires exécutés, donnés ou intentés, à la suite de ou en rapport, directement ou indirectement, avec les procédures concernées.

## **POUR LES CLIENTS DE GRACO PARLANT FRANCAIS**

Les parties reconnaissent avoir convenu que la rédaction du présent document ainsi que de tous les documents, avis et procédures judiciaires exécutés, donnés ou intentés à la suite de ou en rapport, directement ou indirectement, avec les procédures concernées, sera en anglais.

## **ADDITIONAL WARRANTY COVERAGE**

Graco does provide extended warranty and wear warranty for products described in the "Graco Contractor Equipment Warranty Program".

# Graco Information

For the latest information about Graco products, visit [www.graco.com](http://www.graco.com).

For patent information, see [www.graco.com/patents](http://www.graco.com/patents).

**TO PLACE AN ORDER**, contact your Graco distributor or call 1-800-690-2894 to identify the nearest distributor.

*All written and visual data contained in this document reflects the latest product information available at the time of publication. Graco reserves the right to make changes at any time without notice.*

Original instructions. This manual contains English. MM 3A3391

**Graco Headquarters:** Minneapolis

**International Offices:** Belgium, China, Japan, Korea

**GRACO INC. AND SUBSIDIARIES • P.O. BOX 1441 • MINNEAPOLIS MN 55440-1441 • USA**  
**Copyright 2016, Graco Inc. All Graco manufacturing locations are registered to ISO 9001.**

[www.graco.com](http://www.graco.com)

Revision C, May 2019