

Parts



TexSpray™ Mark V Airless Sprayers

310855F

3300 psi (228 bar, 22.8 MPa) Maximum Working Pressure

230 Vac

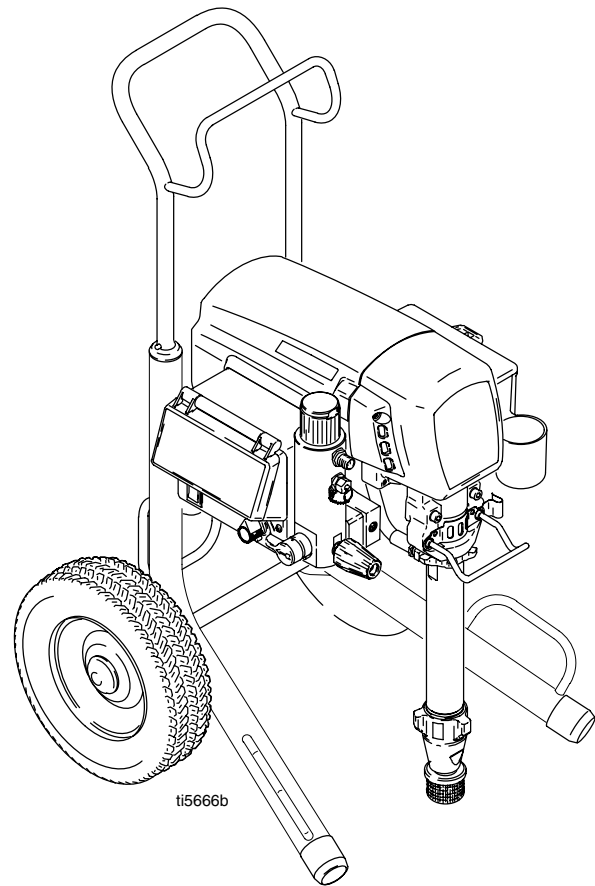
Model 249031

110 Vac UK

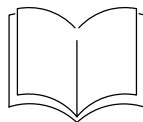
Model 249072

230 Vac Multicord

Model 249178



Related manuals



..... 309935



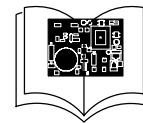
..... 308491



..... 310643



..... 309941



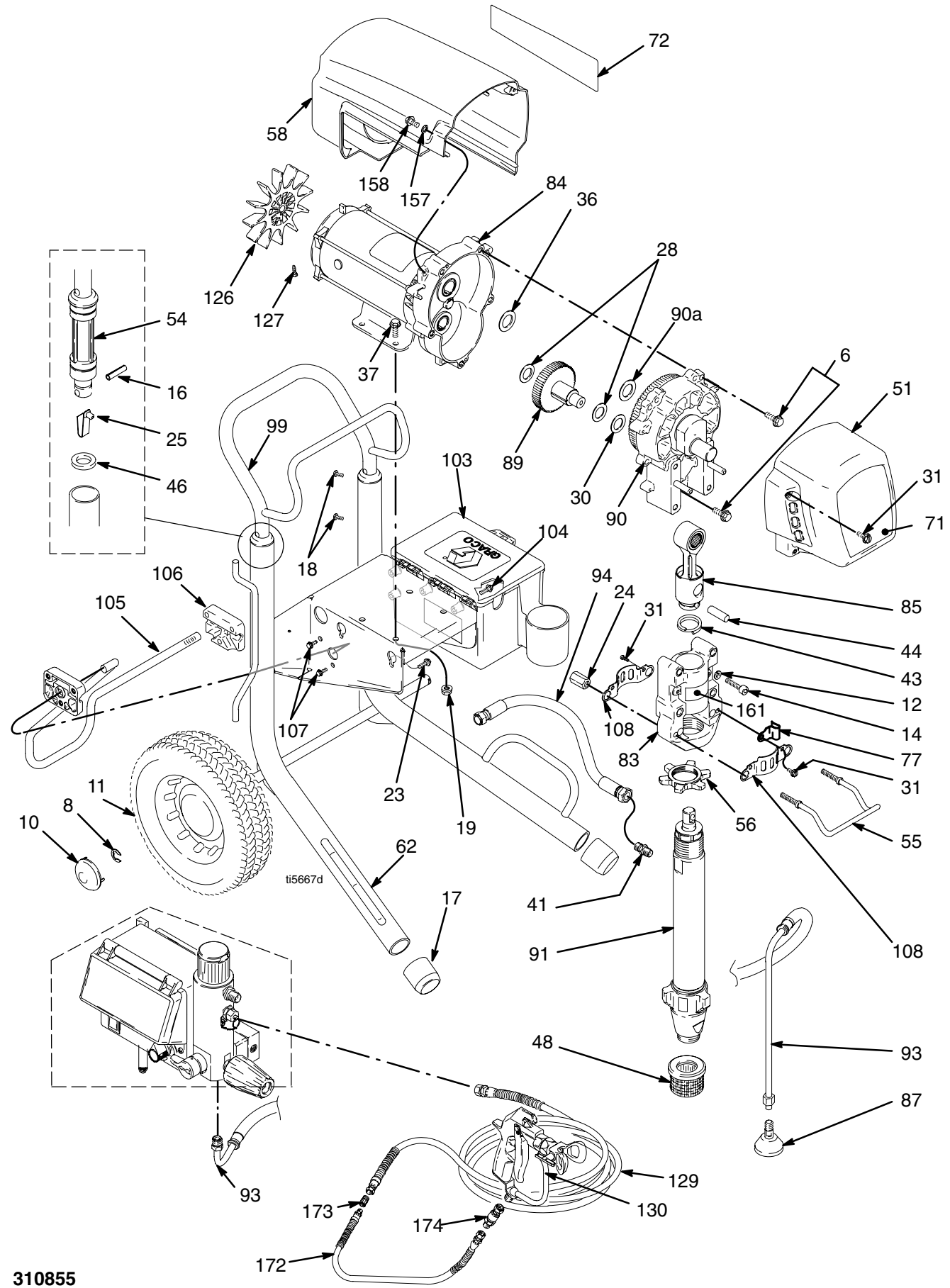
..... 310657

PROVEN QUALITY. LEADING TECHNOLOGY.

GRACO INC. P.O. BOX 1441 MINNEAPOLIS, MN 55440-1441
Copyright 2004, Graco Inc. is registered to I.S. EN ISO 9001

Parts Drawing - Sprayer

Model 249031, 249072, 249178



Parts List - Sprayer

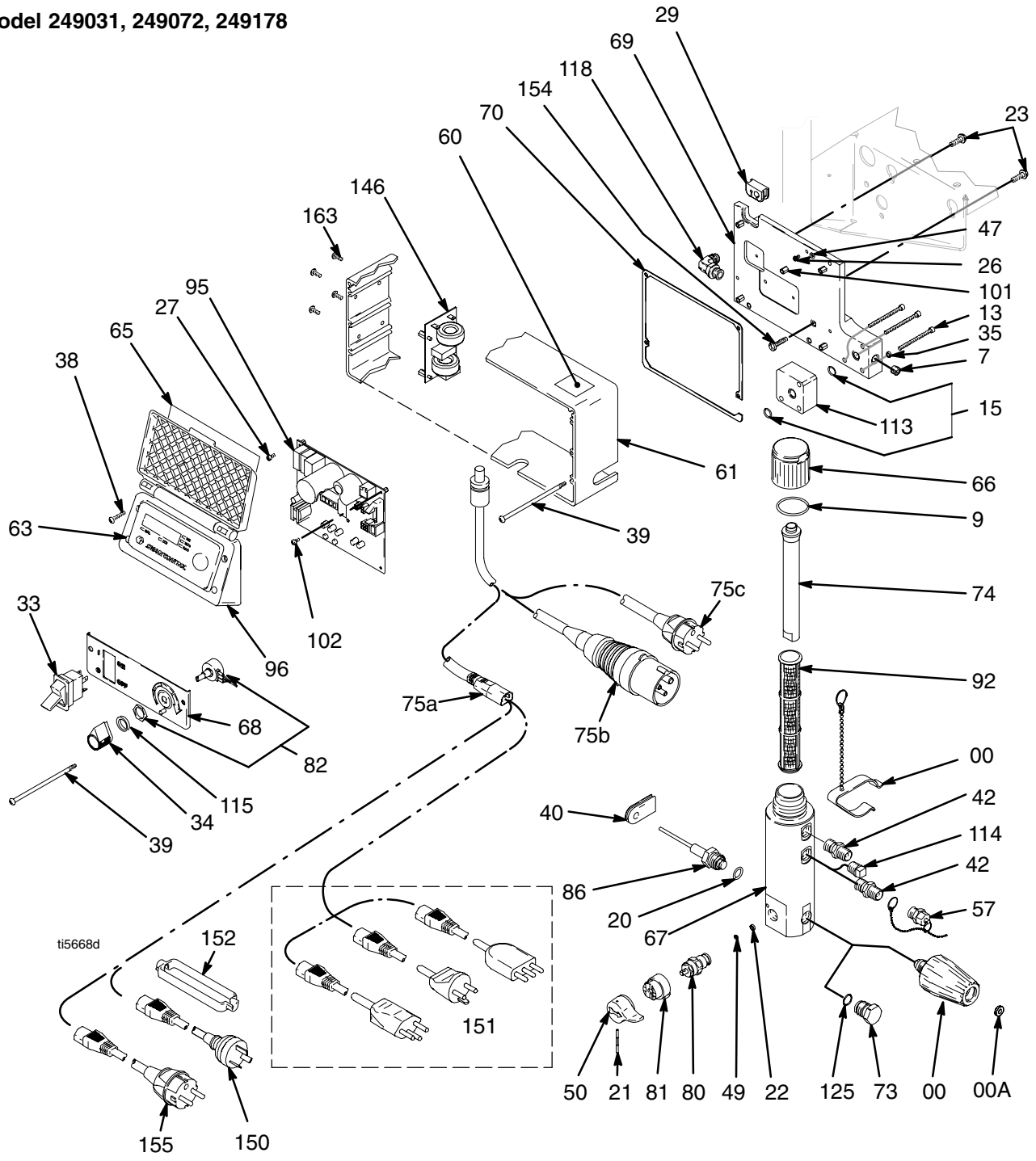
Model 249031, 249072, 249178

Ref .	Part No.	Description	Qty	Ref	Part No.	Description	Qty
6	15C753	SCREW, mach, torx, hex wash hd	5		287243	Model 249031, 249178	1
8	101242	RING, retaining, ext.	2		287199	Model 249072	1
10	104811	CAP, hub	2	85	241279	ROD, connecting; includes 43	1
11	179811	WHEEL, semi pneumatic	2	87	241920	DEFLECTOR, threaded	1
12	106115	WASHER, lock spring (hi-collar)	4	89	287290	GEAR, combination; includes 28, 30	1
14	114666	SCREW, cap, socket hd	4	90		HOUSING, drive; includes 6, 36, 90a	1
16	108068	PIN, spring straight	2		287295	Model 249031, 249178	1
17	276974	CAP, leg	2		287294	Model 249072	1
18	108795	SCREW, mach, pnh	4	90a	114671	WASHER, thrust	1
19	110996	NUT, hex, flanged	4	91		PUMP, displacement	1
23	110963	SCREW, cap, flng hd	2		249059	Models 249031, 249178 (manual 310643)	
24	119672	NUT, hex	2				
25	112827	BUTTON, snap	2		249507	Model 249072 (manual 310643)	
28	114672	WASHER, thrust	2	93	248217	HOSE, coupled; includes 87	1
30	114699	WASHER, thrust	1	94	15F017	HOSE	1
31	118444	SCREW, mach hex washer head	5	99	245245	HANDLE, cart	1
36	116192	WASHER, thrust	1	103	287253	TOOL BOX; includes 104	1
37	100057	SCREW, hex hd	4	104	118852	SCREW, hex washer hd	3
41	117608	NIPPLE, (3/8 npsm x 3/8 npt)	1	105	15C858	HANGER, stand, cart	1
43	183169	SPRING, retaining	1	106	15C982	CAM, cart	2
44	183210	PIN, str, hdls	1	107	114531	SCREW, flange, hex	4
46	183350	WASHER	2	108	15C762	SHIELD, pump rod	2
48	189920	STRAINER, (1-11 1/2 npsm)	1	126	15D088	FAN, motor	1
51	287292	COVER, drive, painted	1	127	115477	SCREW, mach, torx pan hd	1
		includes 157, 158		128▲	222385	TAG, WARNING (not shown)	1
54	191084	SLEEVE, cart	2	129	240797	HOSE, cpld, 3/8 in. x 50 ft	1
55	192719	HANGER, pail	1	130	241705	GUN, spray, airless, texture	1
56	193031	NUT, retaining	1			Manual 308491	
58	287282	SHIELD, motor, painted;	1	157	276980	GROMMET	2
		includes 157, 158		158	119250	SCREW, shoulder	2
62	287207	FRAME, cart	1	161	187437	LABEL, torque	1
71	15F117	LABEL, front	1	168	195767	LABEL, danger	1
72	15F118	LABEL, side	1	172	241735	HOSE, cpld, 1/4 in. x 3 ft	1
77	197124	CLIP, spring	1	173	159841	ADAPTER, 1/4 npt(f) x 3/8 npt(m)	1
79	206994	FLUID, TSL, 8 oz (not shown)	1	174	189018	SWIVEL, 1/4 npsm(f) x 1/4 npsm(m)	1
83	241015	HOUSING, bearing; includes 24, 55	1				
84		MOTOR, electric; includes 126, 127					

▲ Replacement Danger and Warning labels, tags, and cards are available at no cost.

Parts Drawing - Sprayer

Model 249031, 249072, 249178

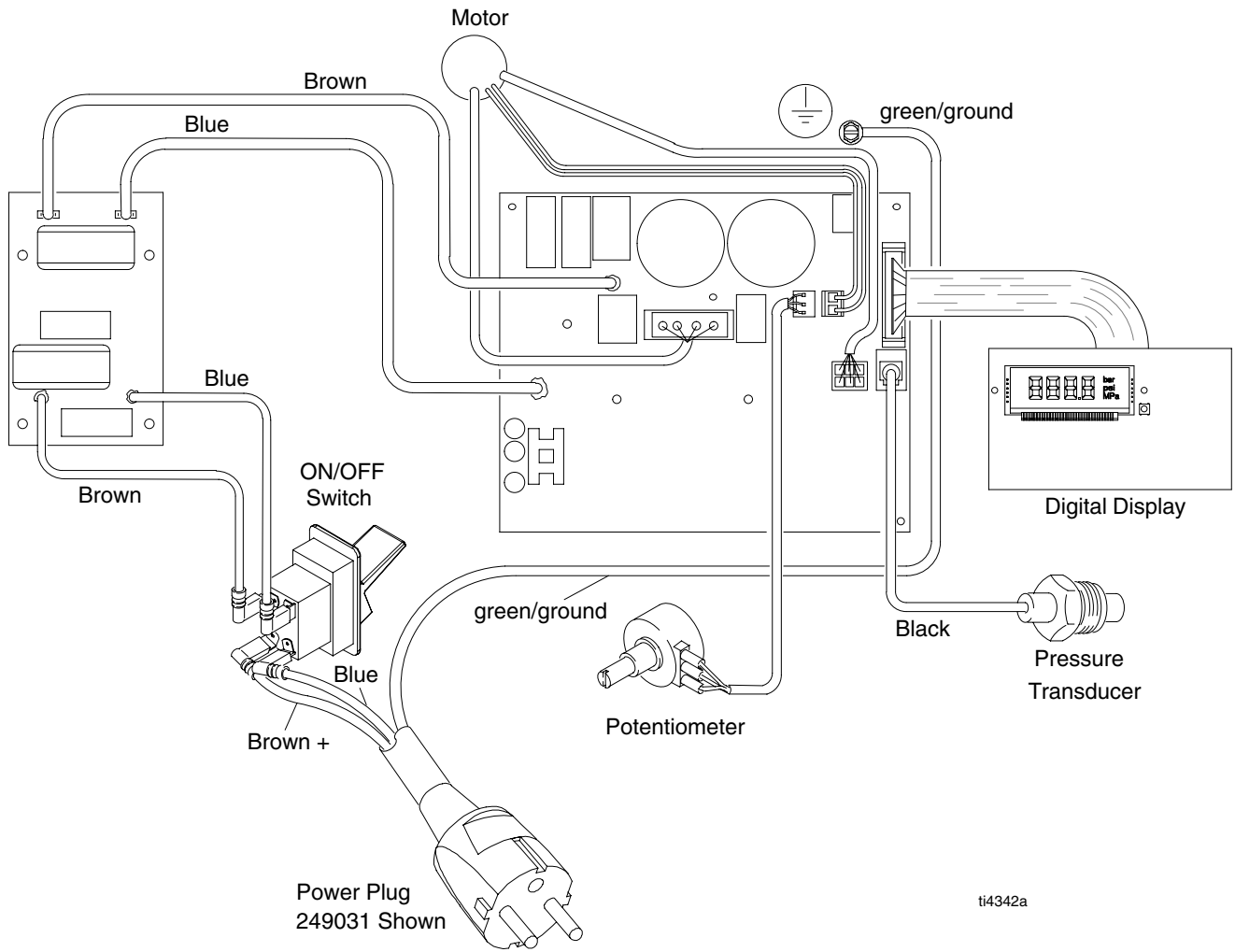


Parts List - Sprayer

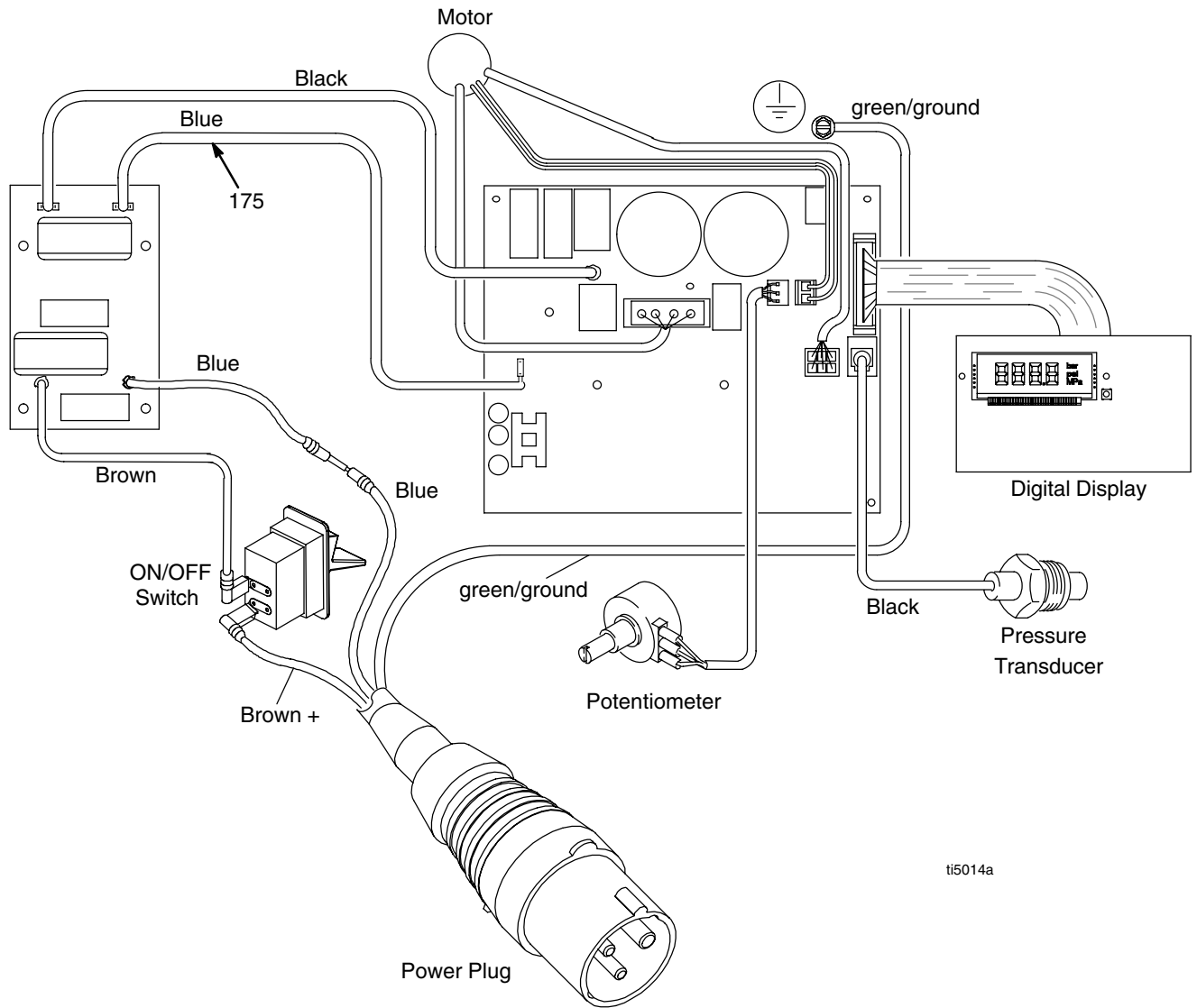
Model 249031, 249072, 249178

REF NO.	PART NO.	DESCRIPTION	QTY	REF NO.	PART NO.	DESCRIPTION	QTY
7	100721	PLUG, pipe	1	75a	15D529	Model 249178, Multicord	1
9	117285	O-RING	1	75b	15D530	Model 249072, UK	1
13	C19817	SCREW, cap, socket hd	3	75c	15D528	Model 249031, CEE/7	1
15	107505	O-RING	2	80	235014	VALVE, drain; includes 22, 49	1
20	111457	O-RING	1	81	224807	BASE, valve	1
21	15C972	PIN, grooved	1	82	236352	POTENTIOMETR, adj, pressure	1
22	111699	O-RING	1	86	243222	TRANSDUCER, press ctrl; includes 20	1
23	110963	SCREW, cap, flg hd	2	92		FILTER, fluid	
26	114391	SCREW, grounding	1		244071	30 mesh, gray	1
27	113045	SCREW, sems, mach, phil truss	5		244067	60 mesh, black	1
29	15D087	GROMMET	1		244068	100 mesh, blue	1
33		SWITCH, rocker			244069	200 mesh, red	1
	15D527	Model 249031, 249178	1	95		CONTROL, bd; includes 27, 102	
	15C979	Model 249072	1		287248	Model 249031, 240V	1
34	116167	KNOB, potentiometer	1		287246	Model 249072 110V, UK	1
35	105510	WASHER, lock, spring (hi-collar)	3	96	287286	COVER, control	
38	116252	SCREW, #8 taptite phil	4			includes 38, 63, 64, 65	1
39	112381	SCREW, mach, pan hd	4	97	287162	VALVE, AutoClean, includes 97a	1
40	15D033	GROMMET, transducer	1	97a	15F950	GASKET	1
42	162485	ADAPTER	2	98	244346	CLAMP, trigger, AutoClean	1
47	186620	LABEL, symbol, ground	1	101	15D160	STUD, board	5
49	187615	O-RING	1	102	114420	SCREW, mach, pnh, sems	3
50	15C780	HANDLE, valve, drain	1	113	15F844	SPACER, filter, base	1
57	240987	STEM, plug, packless	1	115	15C973	GASKET	1
60▲	195793	LABEL, WARNING	1	118	118896	FITTING, elbow, hydraulic	1
61	15D431	BOX, control	1	125	15D541	GASKET	1
63	198648	LABEL, LCD	1	146		FILTER BOARD	
64	15D063	LABEL, instruction (not shown)	1		248220	Model 249031, 249178	1
65	196670	LABEL, cover, control box	1		248219	Model 249072	1
66	287285	CAP, filter; includes 9, 74	1	150	242001	CORDSET, Europe, Model 249178	1
67	15C838	BASE, filter	1	151	287121	CORDSET, Italy, Denmark, Switzerland	1
68	15C947	PANEL, control	1			Model 249178	
69	15C840	PLATE, power bar	1	152	195551	RETAINER, plug, Model 249178	1
70	15D036	GASKET, control box	1	154	115478	SCREW, Torx, pan hd	1
73	248314	PLUG, AutoClean, includes 125	1	155	242005	CORDSET, Australia, Model 249178	1
74	15C766	TUBE, diffusion	1	163	119228	SCREW, mach, flat hd	4
75		CORD, power		175	15E250	WIRE, jumper	1

Model 249031, 249178 Wiring Diagram



Model 249072 Wiring Diagram



ti5014a

TO PLACE AN ORDER OR FOR SERVICE, contact your Graco distributor, or call this number to identify the distributor near you: **1-800-690-2894 Toll Free**

All written and visual data contained in this document reflects the latest product information available at the time of publication. Graco reserves the right to make changes at any time without notice.

MM 310855

Graco Headquarters: Minneapolis
International Offices: Belgium, China, Japan, Korea

GRACO INC. P.O. BOX 1441 MINNEAPOLIS, MN 55440-1441

www.graco.com

PRINTED IN USA 310855
9/2004 Rev. 8/2005