

Monark[®] Air Motor

307141T

EN

For Water Reducible Fluid Pump

180 psi (1.2 MPa, 12 bar) Maximum Working Pressure

Part No. 210004, Series H
For STANCHION TUBE Mounting



Important Safety Instructions

Read all warnings and instructions in this manual.
Save these instructions.

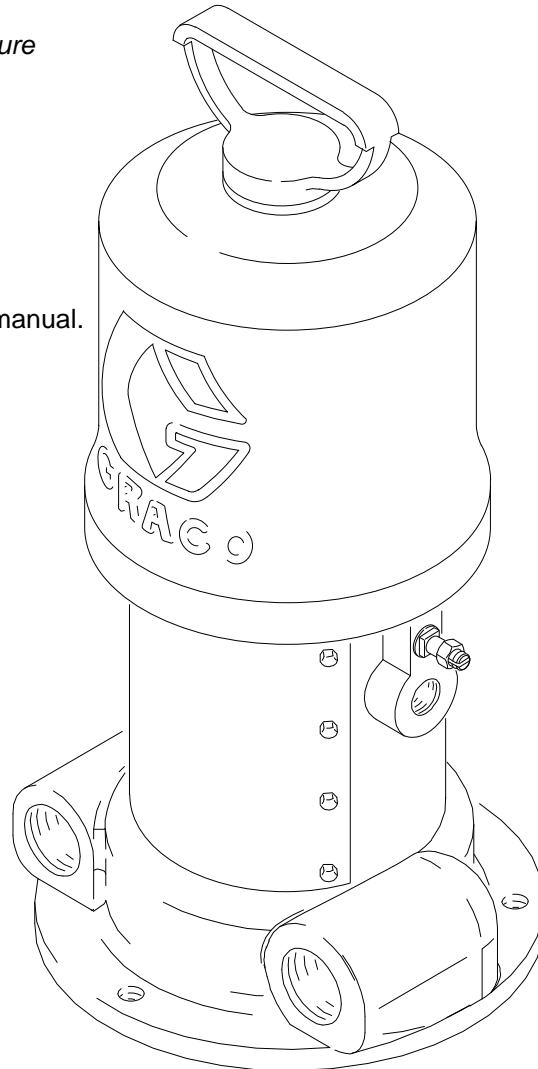


Table of Contents

Warnings	2	Graco Standard Warranty	12
Installation	4	Graco Information	12
Parts	8		

Symbols

Warning Symbol



This symbol alerts you to the possibility of serious injury or death if you do not follow the instructions.

Caution Symbol



This symbol alerts you to the possibility of damage to or destruction of equipment if you do not follow the instructions.

WARNING



INSTRUCTIONS

EQUIPMENT MISUSE HAZARD

Equipment misuse can cause the equipment to rupture or malfunction and result in serious injury.

- This equipment is for professional use only.
- Read all instruction manuals, tags, and labels before operating the equipment.
- Use the equipment only for its intended purpose. If you are not sure, call your Graco distributor.
- Do not alter or modify this equipment.
- Check equipment daily. Repair or replace worn or damaged parts immediately.
- Do not exceed the maximum working pressure stated on the equipment or in the **Technical Data** for your equipment. Do not exceed the maximum working pressure of the lowest rated component in your system.
- Use fluids and solvents which are compatible with the equipment wetted parts. Refer to the **Technical Data** section of all equipment manuals. Read the fluid and solvent manufacturer's warnings.
- Handle hoses carefully. Do not pull on hoses to move equipment.
- Route hoses away from traffic areas, sharp edges, moving parts, and hot surfaces. Do not expose Graco hoses to temperatures above 66°C (150°F) or below -40°C (-40°F).
- Wear hearing protection when operating this equipment.
- Do not lift pressurized equipment.
- Comply with all applicable local, state, and national fire, electrical, and safety regulations.

WARNING



FIRE AND EXPLOSION HAZARD

Improper grounding, poor ventilation, open flames or sparks can cause a hazardous condition and result in a fire or explosion and serious injury.



- Ground the equipment and the object being sprayed. Refer to **Grounding** on page 4.
- If there is any static sparking or you feel an electric shock while using this equipment, **stop spraying/dispensing immediately**. Do not use the equipment until you identify and correct the problem.
- Provide fresh air ventilation to avoid the buildup of flammable fumes from solvents or the fluid being sprayed/dispensed.
- Keep the spray/dispense area free of debris, including solvent, rags, and gasoline.
- Before operating this equipment, electrically disconnect all equipment in the spray/dispense area.
- Before operating this equipment, extinguish all open flames or pilot lights in the spray/dispense area.
- Do not smoke in the spray/dispense area.
- Do not turn on or off any light switch in the spray/dispense area while spraying/dispensing or while operating if fumes are present.
- Do not operate a gasoline engine in the spray/dispense area.



MOVING PARTS HAZARD

Moving parts can pinch or amputate your fingers.

- Keep clear of all moving parts when starting or operating the pump.
- Never operate the pump with the air motor plates removed.
- Before checking or servicing the equipment, follow the **Pressure Relief Procedure** on page 5 to prevent the equipment from starting unexpectedly.

Installation

General Information

NOTE: Reference numbers and letters in parentheses in the text refer to the callouts in the figures and the parts drawing.

NOTE: Always use Genuine Graco Parts and Accessories, available from your Graco distributor.

Grounding

⚠ WARNING

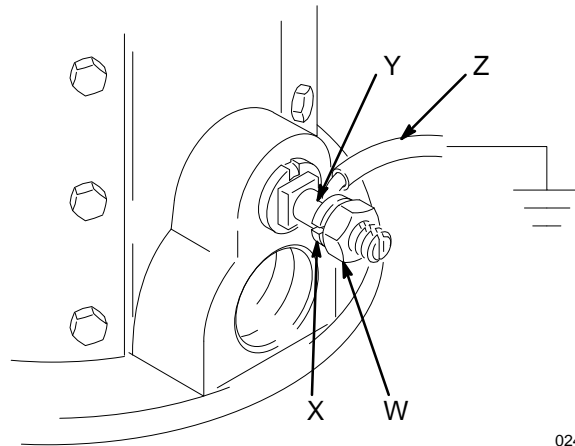
FIRE AND EXPLOSION HAZARD
Before operating the pump, ground the system as explained below. Also read the section **FIRE AND EXPLOSION HAZARD** on page 3.

1. *Pump:* Use a ground wire and clamp as instructed below.
2. *Air hoses:* Use only electrically conductive air hoses.
3. *Fluid hoses:* Use only electrically conductive fluid hoses.
4. *Air compressor:* follow manufacturer's recommendation.
5. *Spray gun or dispensing valve:* Grounding is obtained through connection to a properly grounded fluid hose and pump.
6. *Fluid supply container:* According to your local code.

7. *Object being sprayed:* According to your local code.
8. *All solvent pails used when flushing:* According to your local code. Use only metal pails, which are conductive, placed on a grounded surface. Do not place the pail on a non-conductive surface, such as paper or cardboard, which interrupts the grounding continuity.
9. *To maintain grounding continuity when flushing or relieving pressure,* always hold a metal part of the gun/valve, firmly to side of a grounded metal pail, then trigger the gun/valve.

To ground the air motor; loosen the grounding lug locknut (W) and washer (X). Insert one end of a 12 ga (1.5 mm²) minimum ground wire (Z) into the slot in lug (Y) and tighten the locknut securely. See Fig. 1.

Connect the other end of the wire to a true earth ground. Always check your local code. Order Part No. 222011 Ground Wire and Clamp.



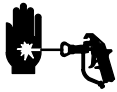
02464

Fig. 1

Service

Pressure Relief Procedure

WARNING



SKIN INJECTION HAZARD

Fluid under high pressure can be injected through the skin and cause serious injury. To reduce the risk of an injury from injection, splashing fluid, or moving parts, follow the **Pressure Relief Procedure** whenever you:

- are instructed to relieve the pressure,
- stop spraying/dispensing,
- check or service any of the system equipment,
- or install or clean the spray tips.

1. Lock the gun trigger safety.
2. Close the bleed-type master air valve (required in your system).
3. Unlock the gun trigger safety.
4. Hold a metal part of the gun firmly to a grounded metal waste container and trigger to relieve the fluid pressure.
5. Lock the gun trigger safety.
6. Open the pump drain valve (required in your system), having a container ready to catch the drainage.
7. Leave the drain valve open until you are ready to spray again.

*If you suspect that the spray tip or hose is completely clogged, or that pressure has not been fully relieved after following the steps above, **very slowly** loosen the tip guard retaining nut or hose end coupling and relieve pressure gradually, then loosen completely. Now clear the tip or hose.*

WARNING

A bleed-type master air valve is required in your system, to reduce the risk of serious injury including injury from moving parts if you are adjusting or repairing the air motor.

The bleed-type master air valve relieves air trapped between this valve and the motor after the air regulator is shut off. Trapped air can cause the motor and pump to cycle unexpectedly. Locate the valve close to the pump, downstream from the air regulator.

WARNING

The piston in the air motor, located behind the air motor plates, moves when air is supplied to the motor. Moving parts can pinch or amputate your fingers or other body parts. Therefore, never operate the pump with the air motor plates removed.

Restarting a Stalled Motor

WARNING

To reduce the risk of serious injury whenever you are instructed to relieve pressure, always follow the **Pressure Relief Procedure** on page 5.

CAUTION

Never exceed 180 psi (12 bar, 1.2 MPa) air supply pressure to the air motor. Exceeding this pressure may cause the air motor to stall with the air transfer valves stuck at mid position, making the air motor inoperative.

To reseat the air transfer valves and restart a stalled motor, relieve the air supply pressure to the motor by closing the bleed-type master air valve. If the air transfer valves fail to reseat, screw the cap nut (24) out of the cylinder (23), pull up on the trip rod (29) and screw the cap nut back into the cylinder. See Fig. 2. Be sure the air supply pressure is less than 180 psi (12 bar, 1.2 MPa) before opening the bleed-type master air valve.

Service

Servicing the Air Motor

⚠ WARNING

To reduce the risk of serious injury whenever you are instructed to relieve pressure, always follow the **Pressure Relief Procedure** on page 5.

Relieve the pressure, then disconnect the air hose from the motor.

Manually push on the piston rod to move the piston to the top of its stroke. Screw the cap nut (24) out of the cylinder (23). Pull up on the cap nut, grip the trip rod (29) with padded pliers and screw the cap nut off of the trip rod. See Fig. 2.

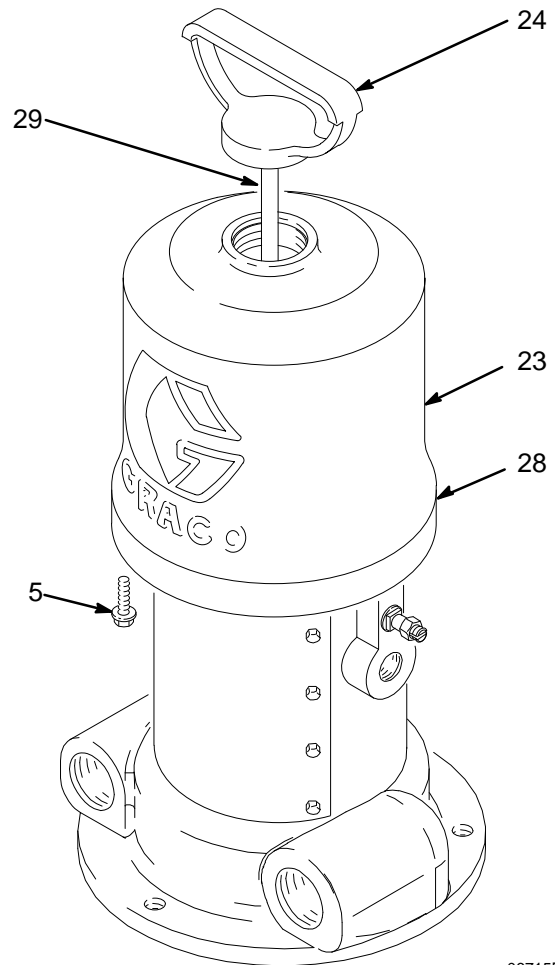
⚠ CAUTION

Do not damage the plated surface of the trip rod. Special pliers, Part No. 207579 is available. Damaging the surface of the trip rod can result in erratic air motor operation.

Remove the six screws (5) holding the cylinder (23) to the base (28) and carefully pull the cylinder straight up off of the piston.

⚠ CAUTION

To prevent damaging the cylinder wall, always lift the cylinder straight up off of the piston. Never tilt the cylinder as it is being removed.



06715B

Fig. 2

Service

⚠ WARNING

Always keep your fingers clear of the toggle assemblies (E) to avoid pinching or amputating them.

Use a screwdriver to push down on the trip rod yoke (8) and snap the toggle assemblies (E) down. Remove the lockwires (14) and upper adjusting nuts (13) from the air transfer valves (G). Screw the valve stems (21) out of the grommets (12) and lower adjusting nuts (13). Remove the valve poppets (26) from the valve stems and inspect them for cracks. See Fig. 3.

Grip the toggle rocker (10) with pliers, compress the spring (11), swing the toggle assembly (E) up and away from the piston lugs (H) and remove the parts. See Fig. 3. Inspect the valve actuator (15) to be sure it is supported by the spring clips (32), but slides into them easily. Remove the trip rod yoke (8), valve actuator (15) and the trip rod (29). Check the exhaust valve poppets (27) for cracks. Pull the piston (33) up out of the base (28) and inspect the o-ring (19) in the base casting.

NOTE: To remove the exhaust valve poppets (27), stretch them out and cut them with a sharp knife.

Clean all parts thoroughly and inspect for wear or damage. Replace parts as necessary. Inspect the polished surfaces of the piston, piston rod and cylinder walls for scratches or wear. Lubricate all parts with a light waterproof grease. Be sure the o-rings are in place, slide the piston rod down through the throat bearing and the lower piston (33) into the base (28).

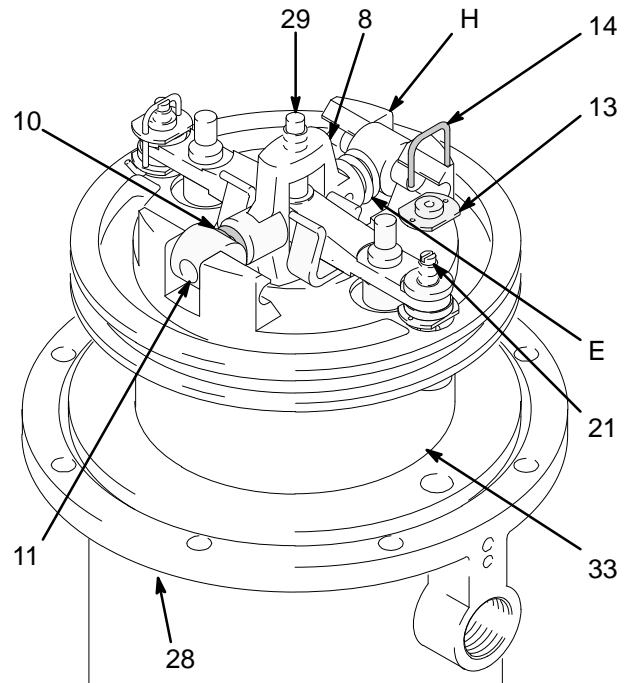
Pull the exhaust valve poppets (27) into the valve actuator (15) and clip off the top part shown with dotted lines. See Fig. 3. Install the valve poppets (26), grommets (12), adjusting nuts (13), trip rod (29), valve actuator (15), trip rod yoke (9) and the toggle assemblies (E) on the piston (33). See Fig. 3.

Set gap on inlet valve (G) using the .145 in. (3.68 mm) side of gauge 171818. Rotate valve stem (21) until snug against gauge, then back off until valve stem slot is lined up with wire holes in valve nut (13) (do not back off more than 1/2 turn). See Fig. 3.

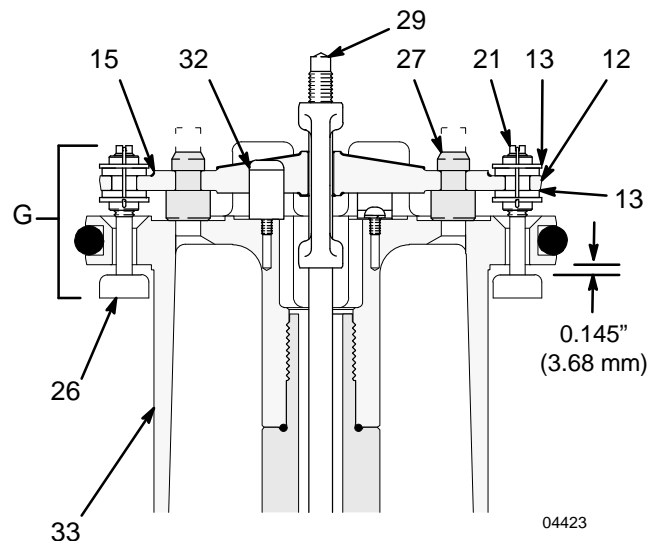
Be sure the toggle assemblies (E) are in the up position and then reinstall the cylinder (23) and the cap nut (24). Reassemble the air motor to the displacement pump. Before mounting the pump, connect an air hose to the air motor and run the pump to be sure it operates smoothly.

⚠ WARNING

Never operate the pump with the air motor plates (25, 37) removed. The piston in the air motor, located behind the air motor plates moves when air is supplied to the motor. Moving parts can pinch or amputate your fingers or other body parts.



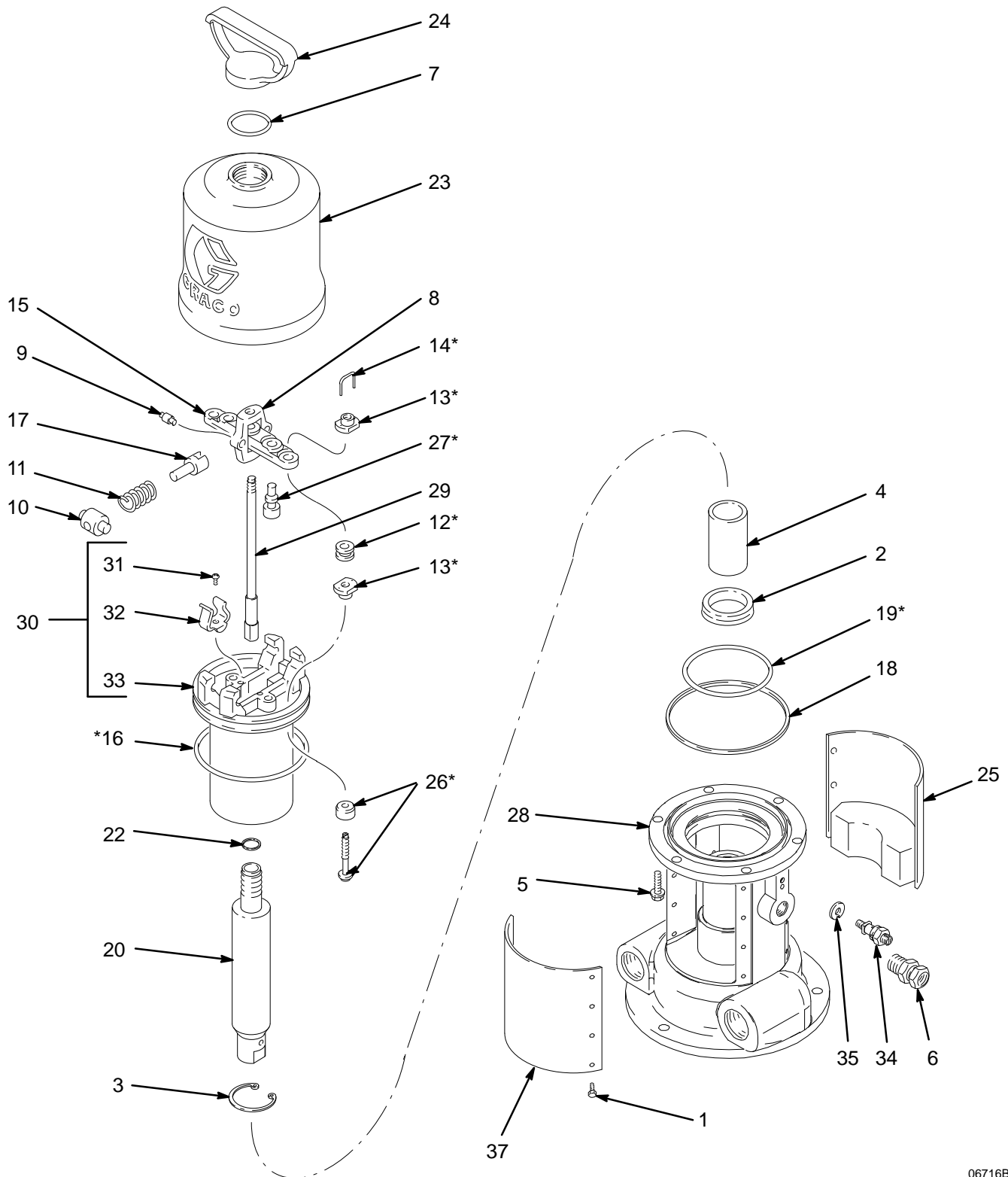
04422



04423

Fig. 3

Parts



06716B

Parts

Model 210004, Series H

Air Motor Assembly

Ref No.	Part No.	Description	Qty	Ref No.	Part No.	Description	Qty
1	17M262	SCREW , thread-forming, hex head; #8-32 x 0.375 in. (9.5 mm)	16	29✓	203965	TRIP ROD	1
2✓	16H224	SEAL, wiper; polyurethane	1	30	214036	PISTON ASSY; Includes items 31-33 (Also includes repair kit 206728 when ordered as a replacement part)	1
3	101525	RING, retainer	1	31	102975	. SCREW, rd hd mach; no. 6-32 x 0.25 in.	2
4	101526	BEARING, bronze	1	32✓	172866	. CLIP, spring	1
5	101578	SCREW, hex hd nylock; 0.312 in.-18 x 0.875"	6	33		. PISTON, bare (not sold separately)	1
6	155665	UNION, straight adapter; 3/8 npt (m x f)	1	34	104029	LUG, grounding	1
7✓	156698	O-RING, nitrile rubber	1	35	104582	WASHER, tab	1
8	158360	YOKE, rod, trip	1	36▲	180233	LABEL, warning	2
9	158362	PIN, toggle	2	37▲	241650	PLATE, warning	1
10	158364	ROCKER, toggle	2				
11	167585	SPRING, helical compression	2				
12*	158367	GROMMET, rubber	2				
13*	160261	NUT, adjusting	4				
14*	160618	LOCKWIRE, transfer valve	2				
15	172867	ACTUATOR, valve	1				
16*	160621	O-RING, nitrile rubber	1				
17	160623	ARM, toggle	2				
18	160624	SEAL, square section; nitrile rubber	1				
19*	160625	O-RING; nitrile rubber	1				
20	160886	ROD, piston	1				
22	160932	GASKET	1				
23	164186	CYLINDER	1				
24	164704	NUT, cap; w/carry handle	1				
25	241651	PLATE, identification	1				
26*	236079	POPPET, valve, polyurethane	2	290460	FRENCH		
27*	170709	POPPET, valve, polyurethane	2	290461	GERMAN		
28	171221	BASE	1	290462	SPANISH		

* These parts are included in Repair Kit 206728, which may be purchased separately.

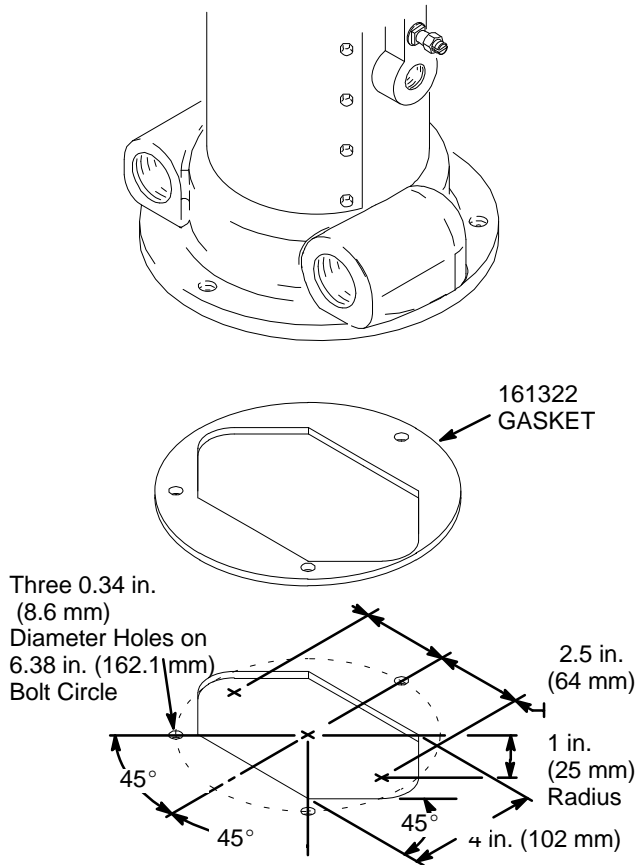
✓ Keep these spare parts on hand to reduce down time.

▲ Replacement Danger and Warning labels, tags and cards are available at no cost.

▲ If you have operators who do not read English, order one of the following labels from your Graco distributor. Paste the label over the English warning plate (37).

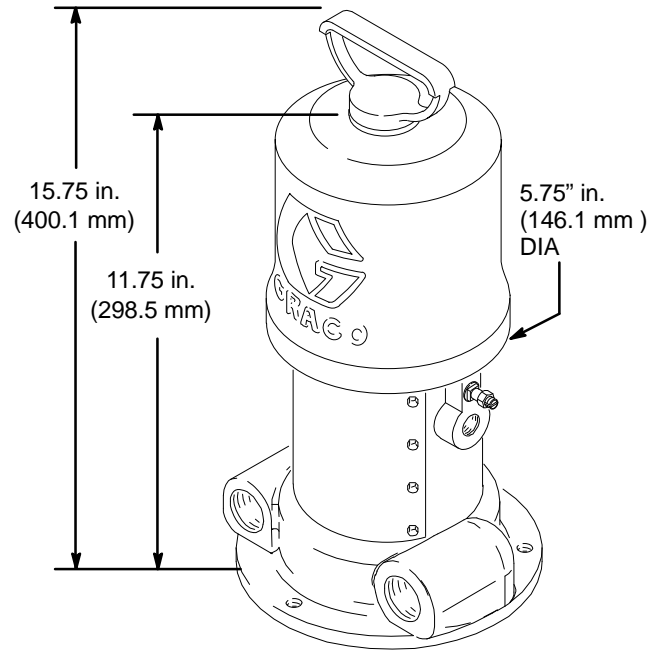
Notes

Mounting Hole Layout



06718B

Dimensions



06714B

Technical Data

Max. inbound air pressure . . . 180 psi (12 bar, 1.2 MPa)
 Effective piston area 7 in² (45 cm²)
 Effective piston diameter 3 in. (76 mm)
 Stroke 3 in. (76 mm)

Air valves Urethane
 Valve mechanism Balanced detented
 Seal Nitrile rubber
 Weight 19 lb (8.6 kg) approx.

Graco Standard Warranty

Graco warrants all equipment manufactured by Graco and bearing its name to be free from defects in material and workmanship on the date of sale to the original purchaser for use. With the exception of any special, extended, or limited warranty published by Graco, Graco will, for a period of twelve months from the date of sale, repair or replace any part of the equipment determined by Graco to be defective. This warranty applies only when the equipment is installed, operated and maintained in accordance with Graco's written recommendations.

This warranty does not cover, and Graco shall not be liable for general wear and tear, or any malfunction, damage or wear caused by faulty installation, misapplication, abrasion, corrosion, inadequate or improper maintenance, negligence, accident, tampering, or substitution of non-Graco component parts. Nor shall Graco be liable for malfunction, damage or wear caused by the incompatibility of Graco equipment with structures, accessories, equipment or materials not supplied by Graco, or the improper design, manufacture, installation, operation or maintenance of structures, accessories, equipment or materials not supplied by Graco.

This warranty is conditioned upon the prepaid return of the equipment claimed to be defective to an authorized Graco distributor for verification of the claimed defect. If the claimed defect is verified, Graco will repair or replace free of charge any defective parts. The equipment will be returned to the original purchaser transportation prepaid. If inspection of the equipment does not disclose any defect in material or workmanship, repairs will be made at a reasonable charge, which charges may include the costs of parts, labor, and transportation.

THIS WARRANTY IS EXCLUSIVE, AND IS IN LIEU OF ANY OTHER WARRANTIES, EXPRESS OR IMPLIED, INCLUDING BUT NOT LIMITED TO WARRANTY OF MERCHANTABILITY OR WARRANTY OF FITNESS FOR A PARTICULAR PURPOSE.

Graco's sole obligation and buyer's sole remedy for any breach of warranty shall be as set forth above. The buyer agrees that no other remedy (including, but not limited to, incidental or consequential damages for lost profits, lost sales, injury to person or property, or any other incidental or consequential loss) shall be available. Any action for breach of warranty must be brought within two (2) years of the date of sale.

Graco makes no warranty, and disclaims all implied warranties of merchantability and fitness for a particular purpose in connection with accessories, equipment, materials or components sold but not manufactured by Graco. These items sold, but not manufactured by Graco (such as electric motors, switches, hose, etc.), are subject to the warranty, if any, of their manufacturer. Graco will provide purchaser with reasonable assistance in making any claim for breach of these warranties.

In no event will Graco be liable for indirect, incidental, special or consequential damages resulting from Graco supplying equipment hereunder, or the furnishing, performance, or use of any products or other goods sold hereto, whether due to a breach of contract, breach of warranty, the negligence of Graco, or otherwise.

FOR GRACO CANADA CUSTOMERS

The parties acknowledge that they have required that the present document, as well as all documents, notices and legal proceedings entered into, given or instituted pursuant hereto or relating directly or indirectly hereto, be drawn up in English. Les parties reconnaissent avoir convenu que la rédaction du présente document sera en Anglais, ainsi que tous documents, avis et procédures judiciaires exécutés, donnés ou intentés à la suite de ou en rapport, directement ou indirectement, avec les procédures concernées.

Graco Information

For the latest information about Graco products, visit www.graco.com.

TO PLACE AN ORDER, contact your Graco distributor, or call one of the following numbers to identify the distributor closest to you:

1-800-328-0211 Toll Free

612-623-6921

612-378-3505 Fax

All written and visual data contained in this document reflects the latest product information available at the time of publication. Graco reserves the right to make changes at any time without notice.

Original instructions. This manual contains English. MM 307141

Graco Headquarters: Minneapolis
International Offices: Belgium, China, Japan, Korea

GRACO INC. AND SUBSIDIARIES • P.O. BOX 1441 • MINNEAPOLIS MN 55440-1441 • USA
Copyright 1974, Graco Inc. All Graco manufacturing locations are registered to ISO 9001.

www.graco.com

Revision T, April 2016