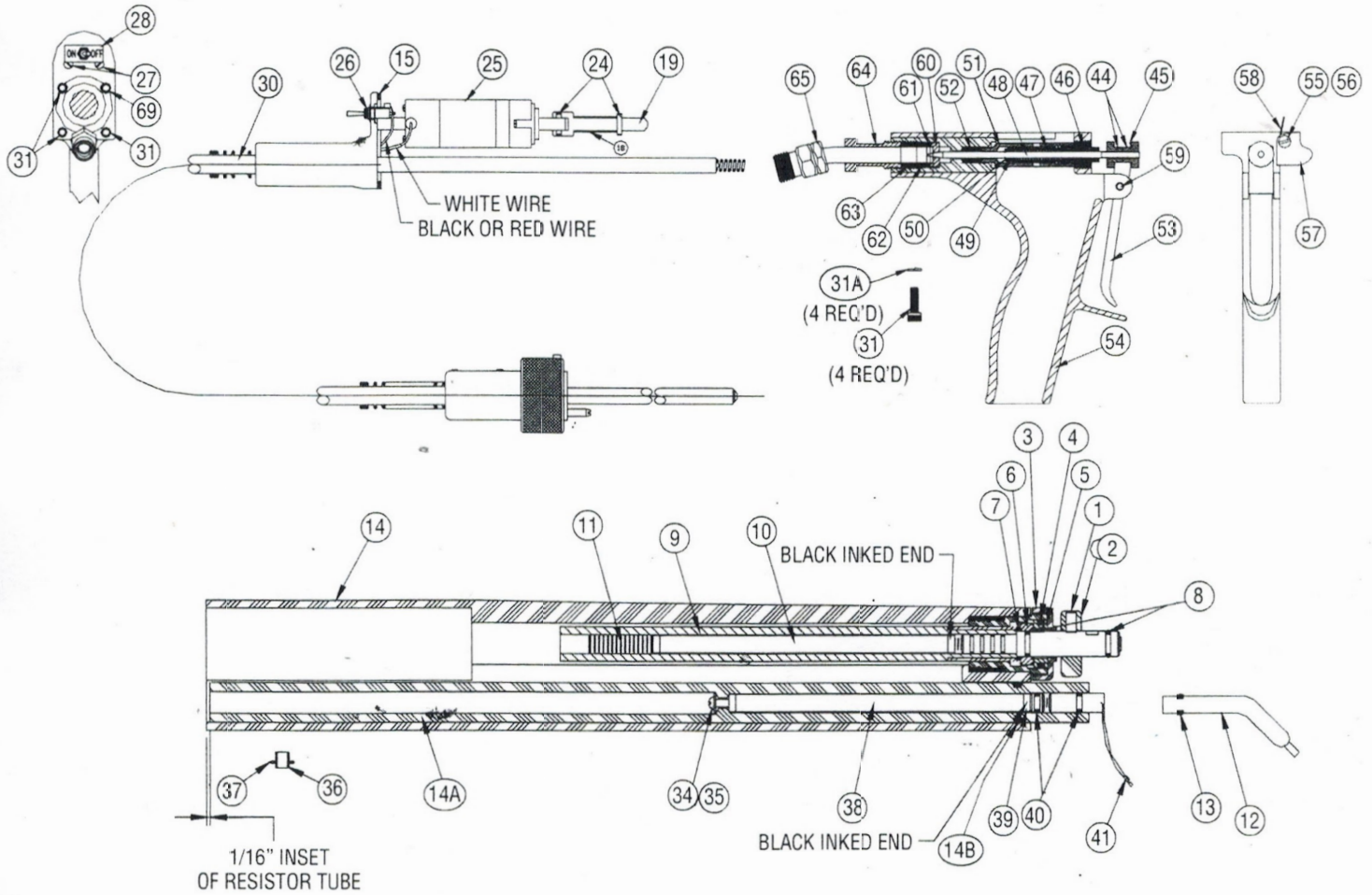


No. 2 Process Gun

(model 19372)



Dielectric Grease Part No. ITW/59972-00-01

#	Description	Part #	#	Description	Part #	#	Description	Part #
Barrel Assembly (Includes items 1-14B):								
1	Screw, #10 - 32 x 3/8-in. (2 Required)	8488-12F	36	Paint Tube	2803-00	4	in., Rim	4627-00
2	Collar	6714-00	37	O-Ring, .239 I.D. x .070 C.S.	7554-07	6	in., Rim, Hub, & Probe	11492-00
3	Nut	6713-00	38	Resistor, 525 Meg	2842-01	6	in., Hub & Probe	4704-00
4	O-Ring, .674 I.D. x .103 C.S.	7554-20	39	Seal, Resistor	3959-00	6	in., Rim	4703-00
5	Seal, Outer, Ceramic	6710-00	40	O-Ring, .208 I.D. x .070 C.S. (2 Required)	7554-06	66A	Spring, Conical (Not Shown)	6126-00
6	Seal, Inner, Teflon	6711-00	41	Brush Assembly	3695-00	69	Screw	8301-12C
7	O-Ring, .362 I.D. x .103 C.S.	7554-13	42	Gun Handle Assembly, Complete (Includes items 42-65):	7233-00	70	Screw, Bell Hub (Not Shown)	8488-08C
8	O-Ring, .301 I.D. x .070 C.S.	7554-08	43	Needle Assembly, Complete (Includes items 44-51):	3655-00	71	Fluid Line Assembly:	
9	Drive Shaft	7225-00	44	Locknut (2 Required)	3441-00	25	ft. (Standard)	8340-25
10	Resistor	4175-01	45	Washer	5008-00	36	ft. (Optional)	8340-36
11	Spring	14003-00	46	Retainer, Spring	3658-00	50	ft. (Optional)	8340-50
12	Feed Tube:		47	Spring	2846-00	75	ft. (Optional)	8340-75
	For 2-3/4 in. Bell	6335-00	48	Needle	3657-00	100	ft. (Optional)	8340-100
	For 4 in. Bell	3700-00-K3	49	Eyelet	3803-01	71A	Hose End Assembly, Fluid	7619-00
	For 6 in. Bell	4076-00	50	Snap Ring	3688-01	71B	Nut, 9/16-18 L.H.	6503-00
13	O-Ring, .176 I.D. x .070 C.S.	7554-05	51	Housing, Spring	3659-00	71C	Union Stem	7623-00
14	Barrel (Housing) Assembly (Includes items 14A & 14B):	8489-00	52	Packing	2845-00	71D	Ferrule	7617-00
14A	Resistor Housing	6204-00	53	Trigger	3649-00	71E	Hose, Fluid	77031-00
14B	O-Ring, .549 I.D. x .103 C.S.	7554-21	54	Handle	7234-00	72	Adapter, 3/8-in. F x 9/16-in. M	7244-00
Motor and Cable Assembly (Includes items 15-19 & 24-41):								
15	Gasket	3968-00	55	Screw, #6-32	7747-20C	73	Can, Bell Cleaning (Not Shown)	5170-00
18	Spring	8491-00	56	Spacer, Bushing	3978-00	74	Gun Holder (Not Shown)	3936-00
19	Drive Adapter	75757-00	57	Latch, Trigger	3979-00	75	Circuit Tester (Not Shown)	20868-00
24	Roll Pin (2 Required)	4359-01	58	Spring, Trigger Latch	3977-00	76	Literature Kit (Not Shown)	17338-01
25	Motor Assembly	3639-00	59	Roll Pin	2594-08	77	Spare Parts Kit (Not Shown)	9096-00
26	ON/OFF Switch	4125-00	60	Needle Seat	3654-00	78	Grounding Assbly (Not Shown)	70539-00
27	Screw, #6 - 32 x .375 Long (2 Required)	8457-12C	61	Bushing, 1/16	6803-01	79	Clamp Assembly, Ground (Target Ground) (Not Shown).	LSME4000-00,
28	ON/OFF Plate	4126-00	62	Sleeve	3653-00	80	Filter Assembly, Fine	76938-01*
30**	High Voltage Cable Assembly without Motor	19370-XX*	63	Bushing, 5/16	6803-02		Filter Assembly, Coarse (Optional)	76038-02
	High Voltage Cable Assembly with Motor and Switch	19371-XX*	64	Retainer, Hose	7135-00	80C	Insert, 100 Mesh, Fine (Not Shown)	7720-01
31	Screw, 8 - 32 x .25 Long (7 Required)	8301-16C	65	Hose Connector Assembly	17356-00	80D	Insert, 60 Mesh, Coarse (Not Shown)	7720-02
31A	Washer, #8 (4 Required)	7734-03	66	Bell Assembly:		80E	Housing, Front	76940-00
34	Screw	7747-16C		2-3/4 in., Rim, Hub, & Probe	11491-00	80F	Nut	6503-00
35	Washer	7486-06		2-3/4 in., Hub & Probe	9777-00	80G	Housing, Rear	76941-00
				2-3/4 in., Rim	9772-00	83	Grease, (4) 1 oz Tubes (Not Shown)	59972-00
				4 in., Rim, Hub, & Probe	11438-00	84	Dielectric Oil (Not Shown)	3614-00
				4 in., Hub & Probe	4628-00	85	Cement, Contact (5 oz. Tube) (Not Shown)	6548-00
				4 in., Hub & Probe (High Humidity)	4628-01			