

PARTS IDENTIFICATION

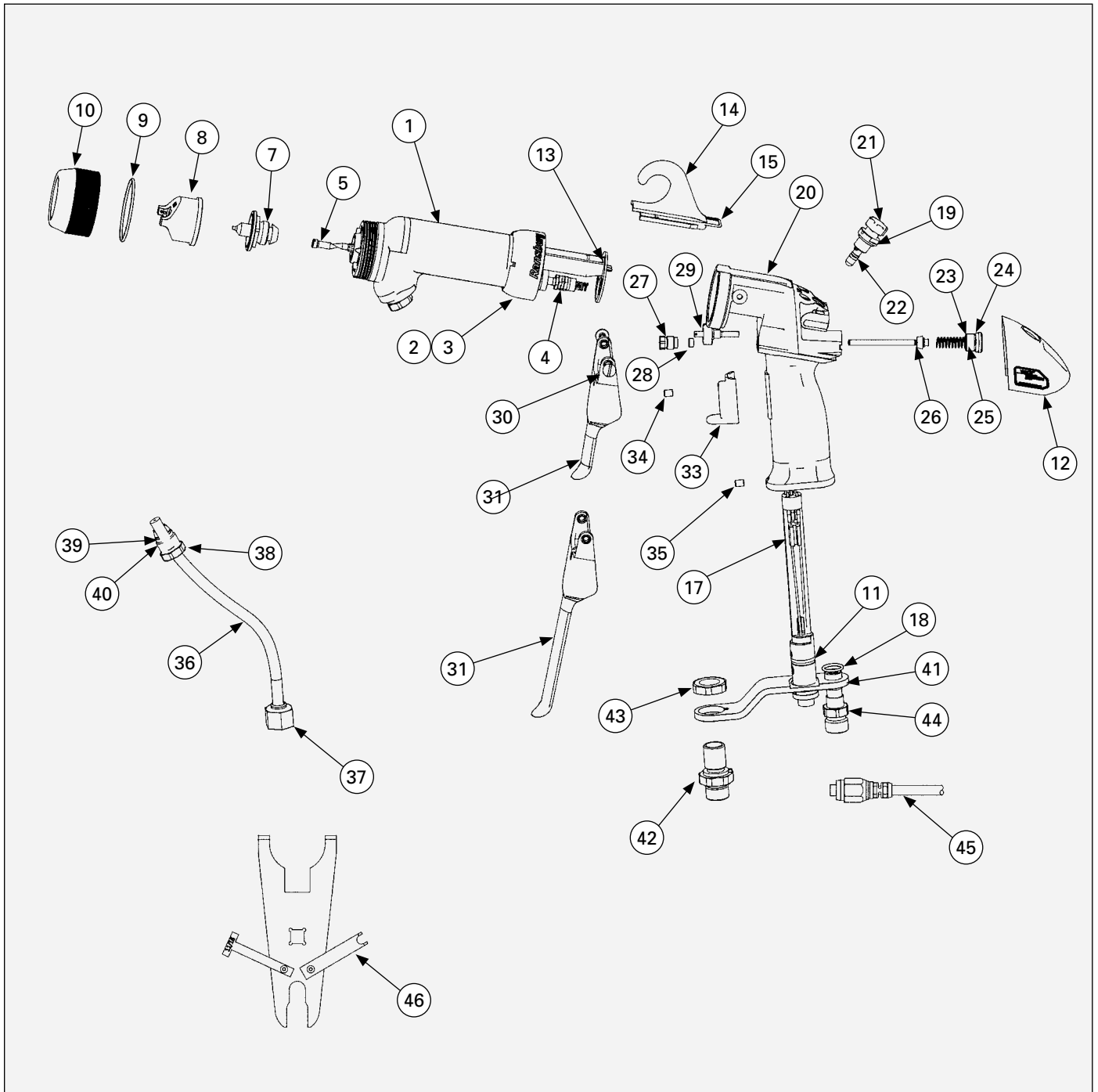


Figure 40: R90/70 Cascade Solventborne Applicator Breakdown

R90/70 CASCADE SOLVENTBORNE APPLICATOR - PARTS LIST (Figure 40)

Item #	Part #	Description	Qty
1	79468-00	Barrel, Machined, R90	1
	79469-00	Barrel, Machined, R70	1
2	79373-00	Nut, Retaining Barrel	1
3	75326-00	Ring, Retaining	1
4	79599-01	Needle Shaft Assembly, R90, 2k Packings (Std.)	1
	79599-02	Needle Shaft Assembly, R70, 2k Packings (Std.)	1
5	Table D-"D3"	Restrictor, Standard Air Spray (Black)	1
6	--	--	--
7	Table D-"D2" *	Nozzle, Fluid	1
8	Table D-"D1" **	Cap, Air	1
9	LSOR0005-17	O-Ring, PTFE Encapsulated	1
10	79379-00	Nut, Retaining, Air Nozzle	1
11	79001-09	O-Ring, Solvent Proof	1
12	79471-01	Assembly, Rear Cover	1
13	79378-00	Gasket, Barrel Cover	1
14	79322-00	Hook, Molded	1
15	80185-00	O-Ring, Solvent Resistant	1
16			
17	79460-03	Assembly, Plug	1
18	79001-08	O-Ring, Solvent Proof	2
19	79001-07	O-Ring, Solvent Proof	2
20	79476-00	Handle, Assembly	1
21	79445-10	Fan Air Adjust, Assembly	1
22	79001-16	O-Ring, Solvent Proof	1
23	17130-00	Spring, Return	1
24	79001-31	O-Ring, Solvent Proof	1
25	79453-00	Cap, Retaining, Air Valve	1
26	79310-00	Air Valve, Assembly	1
27	78635-00	Nut, Retaining, Air Valve	1
28	10051-05	Cup Seal, Spring Loaded	1
29	79560-00	Trigger Stop, Assembly	1
30	79454-00	Screw, Trigger Retention	2
31	Table B-"B1"	Trigger, Molded	1
32	--	--	--
33	79324-00	Shelf, Finger Molded	Table B-"B2"
34	19603-8F	Set Screw, Cup Point	Table B-"B2"
35	19603-10F	Set Screw, Cup Point	1
36	Table C-"C4"	Tube, Fluid	1
37	3587-03	Nut and Ferrule	Table C-"C5"

* See "Fluid Nozzle Selection Chart" in the "Installation" section.

** See "Air Cap/Fluid Nozzle Selection Chart" in the "Installation" section.

(Continued On Next Page)

**R90/70 CASCADE SOLVENTBORNE APPLICATOR -
PARTS LIST (Figure 40) (Cont.)**

Item #	Part #	Description	Qty
38	79385-00	Nut, Connector, Hose	Table C-"C5"
39	EMF-202-05	Ferrule, Back, 3/8" Tube	Table C-"C5"
40	EMF-203-05	Ferrule, Front, 3/8" Tube	Table C-"C5"
41	Table C-"C2"	Bracket, Support	1
42	Table C-"C1"	Fitting, Fluid (Straight Offset Bracket)	1
43	Table C-"C3"	Nut, Hex	1
44	18847-01	Fitting, Air Inlet, 1/4" NPSM(M) (Std.)	1
	18847-00	Fitting, Air Inlet, 3/8" NPSM(M) (Optional)	1
45	Table A - "A2"	Cable, Low Voltage, Vector	Table A - "A1"
46	19749-00	Special Applicator Wrench	1
47	72315-00	Conductive Ferrule	1
48	6241-06	Fitting, Fluid	1
49	7787-03	Swivel Fitting	1

VECTOR R90/R70 CASCADE SOLVENTBORNE MODEL IDENTIFICATION

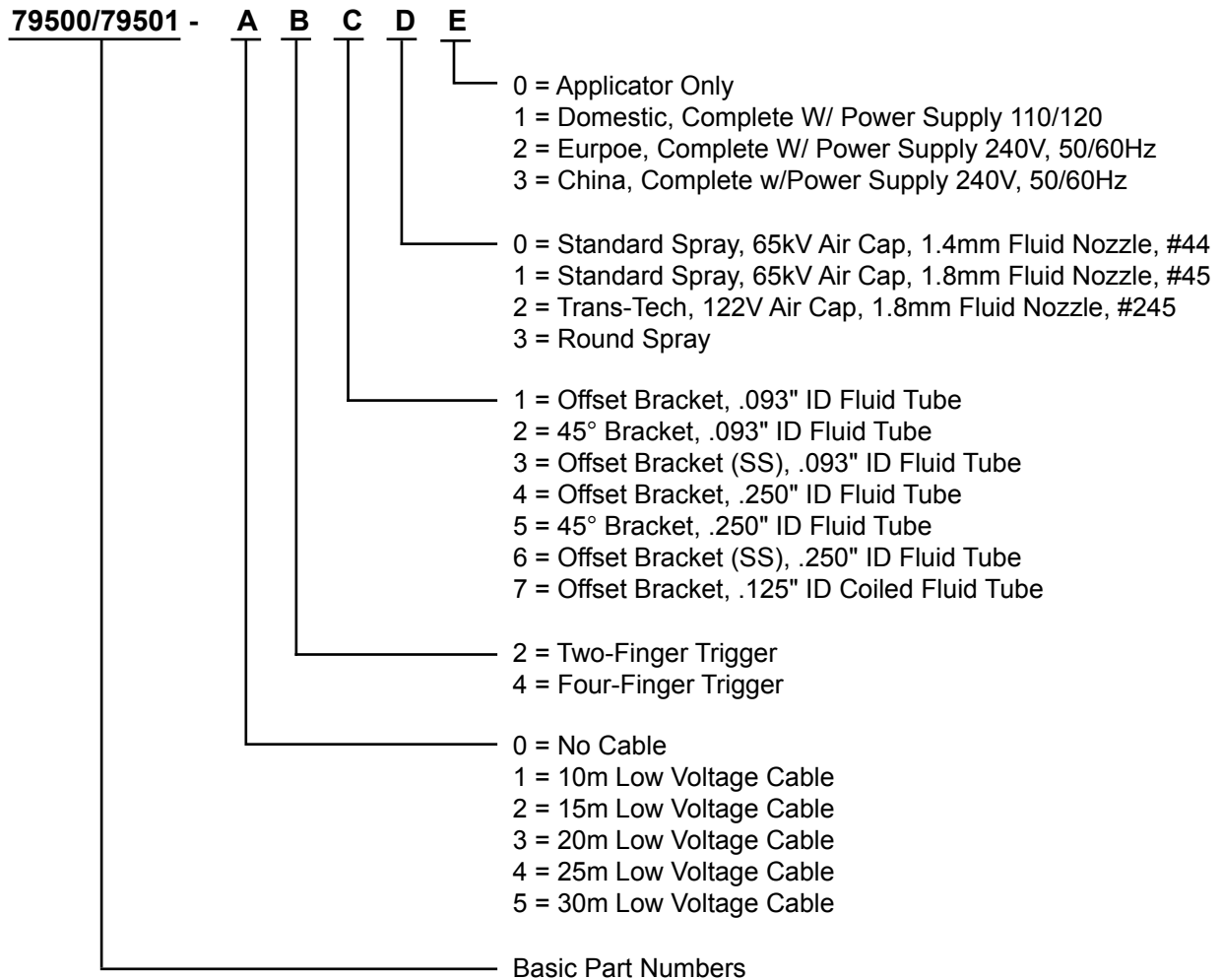


TABLE A - LOW VOLTAGE CABLE LENGTHS

"A" Dash #	Description	"A1"	"A2"
0	No Cable	0	---
1	10m	1	79338-10
2	15m	1	79338-15
3	20m	2	79338-10
4	25m	1	79338-10
		1	79338-15
5	30m	2	79338-15

TABLE B - TRIGGER TYPE

"B" Dash #	Description	"B1"	"B2"
2	2-Finger Trigger	79325-02	1
4	4-Finger Trigger	79325-04	0

TABLE C - FLUID DELIVERY COMBINATION

"C" Dash #	Description	"C1"	"C2"	"C3"	"C4"	"C5"
1	Offset Bracket, .093" ID Fluid Tube	70399-00	79438-00	10553-06	9704-16	1
2	45° Bracket, .093" ID Fluid Tube	70442-00	79439-00	10553-06	9704-16	1
3	Offset Bracket (SS), .093" ID Fluid Tube	70399-00	79438-01	10553-06	9704-16	1
4	Offset Bracket, .250" ID Fluid Tube	70399-00	79438-00	10553-06	9704-11	1
5	45° Bracket, .250" ID Fluid Tube	70442-00	79439-00	10553-06	9704-11	1
6	Offset Bracket (SS), .250" ID Fluid Tube	70399-00	79438-01	10553-06	9704-11	1
7	Offset Bracket, .125" ID Coiled Fluid Tube	79650-00	79438-00	10553-05	79871-00	0

TABLE D - SPRAY SELECTION

"D" Dash #	Description	"D1"	"D2"	"D3"
0	Standard Spray, 65V Air Cap, 1.4mm Fluid Nozzle, #44	79374-65	79377-44	74963-05
1	Standard Spray, 65V Air Cap, 1.8mm Fluid Nozzle, #45	79374-65	79377-45	74963-05
2	Trans-Tech, 122V Air Cap, 1.8mm Fluid Nozzle, #245	79374-122	79552-245	74963-06
3	Round Spray	79962-00	79959-00	74963-04

TABLE E - CONTROL UNIT

Dash #	Description	Control Unit
0	No Control Unit	---
1	Domestic, 110/120V	80131-X11
2	Europe, 240V - 50/60 Hz	80131-X12
3	China, 240V - 50/60 Hz	80131-X13

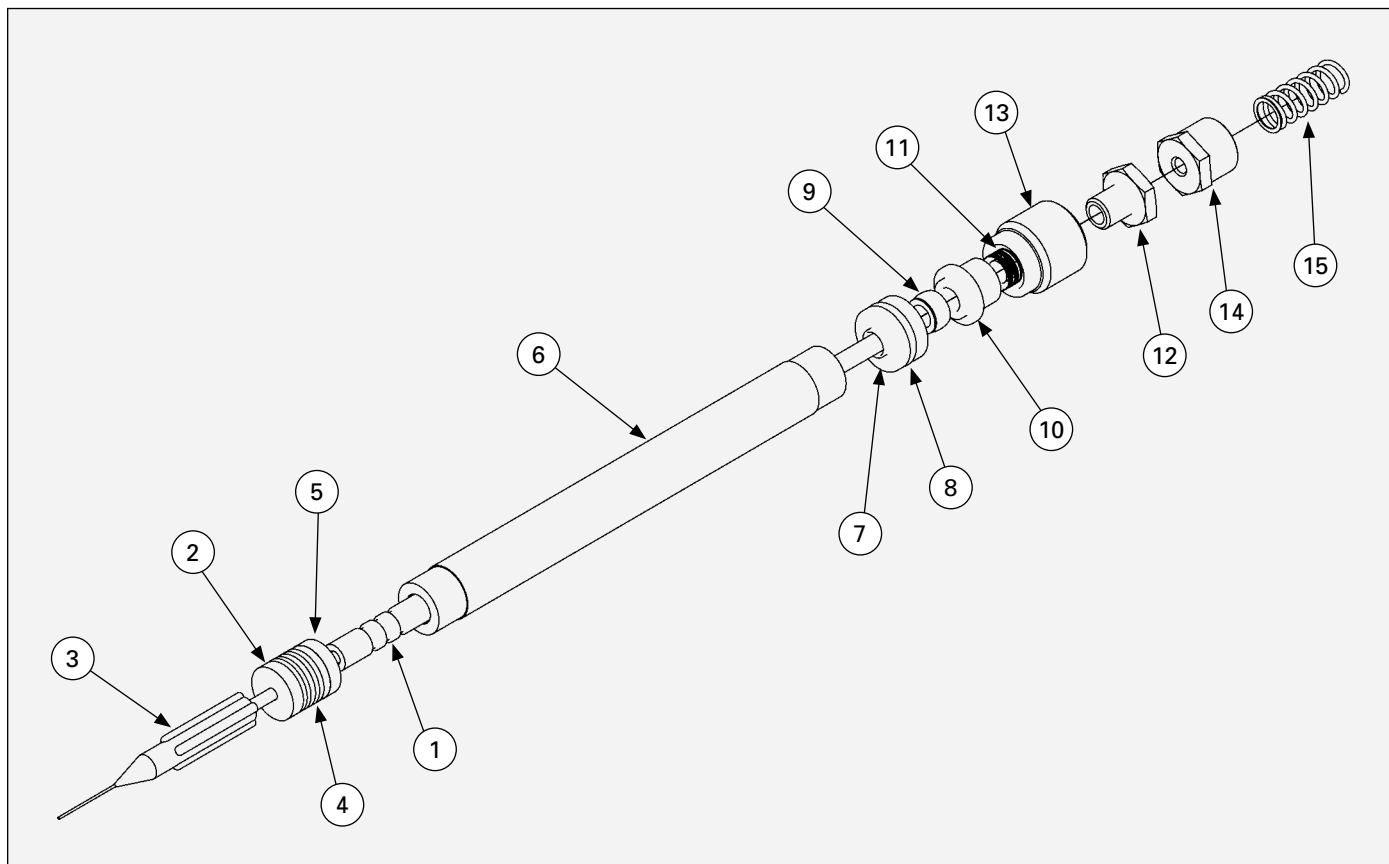


Figure 41: R90 (79599-01) and R70 (79599-02) Cascade Needle Shaft (2k Packings)-Standard

R90 (79599-01) AND R70 (79599-02) CASCADE NEEDLE SHAFT (STANDARD 2K PACKINGS) - PARTS LIST (Figure 41)

Item #	Part #	Description	Qty
1	78627-04	Shaft Assembly, 2-Piece Needle, R90, 2k Packings	1
	78627-05	Shaft Assembly, 2-Piece Needle, R70, 2k Packings	
2	74653-00	Adapter, Male Chevron	1
3	70430-01	Electrode, High Wear	1
4	14323-00	Seal, Chevron	4
5	18821-00	Adapter, Female Chevron	1
6	18842-01	Tube, Packing, R90	1
	18842-02	Tube Packing, R70	
7	78629-00	Retainer, Needle Seal, Rear	1
8	79001-06	O-Ring, Solvent Proof	1
9	10051-05	Cup Seal, Spring Loaded	1
10	78630-00	Spacer, Seal	1
11	17390-04	Washer, Beville Spring	6
12	78632-00	Nut, Locking Trigger Adjustment	1
13	78631-00	Nut, Packing	1
14	78633-00	Spring Retainer, Needle Shaft	1
15	80141-00	Spring	1
16	SI-07-03	Service Instruction	1