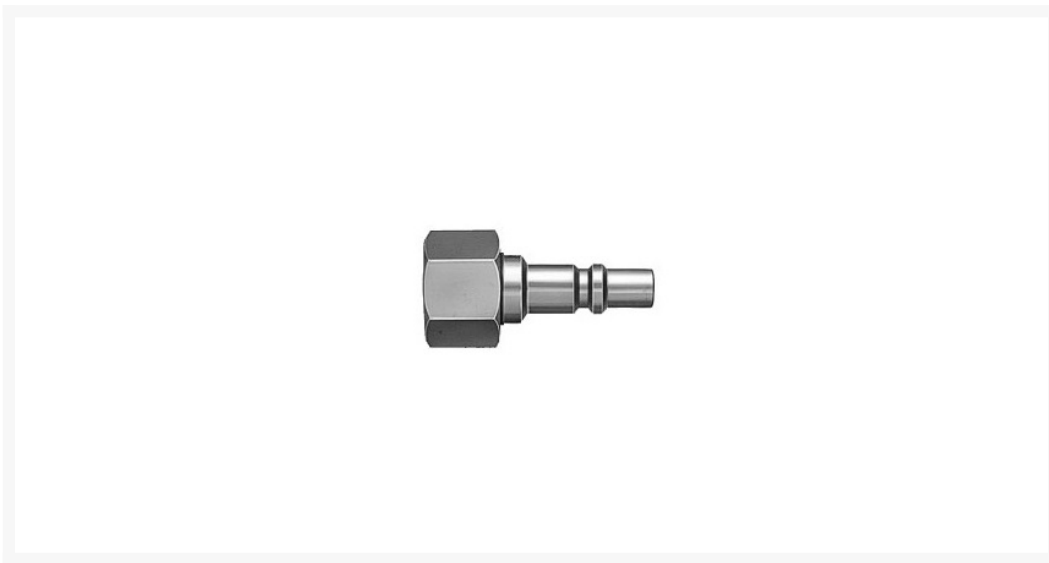




Nitto Mini Gas Cupla PF Plug Female Thread

\$0.00
INCL. GST

Product Images



Short Description

Nitto Mini Gas Cupla PF Plug Female Thread are designed exclusively for oxygen and acetylene welding and gas cutting hoses.

Description

Nitto Mini Gas Cupla series are designed for oxy/acetylene gas hoses with a unique double lip to prevent minor leaks during connection. Two types of cupla within each model prevent accidental connection to the wrong gas hose.

Both plug and sockets can be purchased with in built valves however built in valve sockets can not be connected with valve-less plugs.

Nitto Mini Gas Cupla PF Plug Female Thread feature –

- From cylinder to torch, all piping connections associated with oxyacetylene equipment are now in push to connect configuration.
- Double lip prevents minor leaks during connection.
- Oxygen and fuel gas couplings have different sizes to prevent accidental inter-connection.
- To prevent accidental interconnection, no Cuplas for oxygen can be connected with those for acetylene gas Cuplas.
- However, oxygen plugs and sockets are interchangeable by themselves and acetylene gas plugs and sockets are interchangeable by themselves.

Nitto Cube Cupla PF Plug Female Thread are available in -

- 22PF Plug For Oxygen with 5/8" Female Thread
- 32PF Plug For Acetylene with 5/8" Female Thread

AA Spray stock a full range of Nitto Air Fittings with fast delivery Australia wide!

Additional Information

Brands	Nitto
--------	-------

Additional Options

Please choose Nitto fittings size	Nitto 22PF Plug For Oxygen with 5/8" Female Thread	\$0.00
	Nitto 32PF Plug For Acetylene with 5/8" Female Thread	\$0.00

