



# Ransburg 3695-00 Brush Assembly

Regular Price

**\$495.00** Special  
Price

**\$420.00**

**INCL. GST**

## Product Images



## Short Description

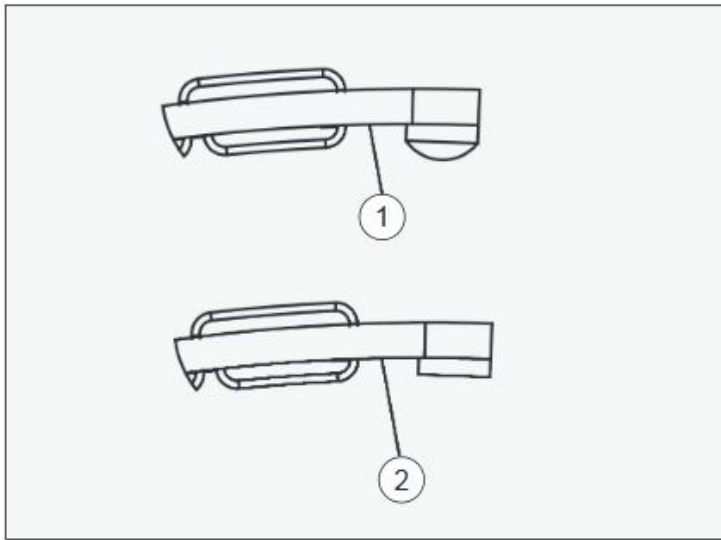
Ransburg 3695-00 Brush Assembly is used with the Ransburg No.2 Deuce Electrostatic Gun and will suit all sizes of bell 2-3/4", 4" & 6".

## Description

---

Ransburg 3695-00 Brush Assembly includes "O"ring 7554-06 and should be changed when the contact tip is worn 50% or half way. Keep a spare brush assembly on hand to avoid downtime.

Do not apply excessive pressure on the brush tip, ensure that the tip is lightly resting on the edge of the bell. Excessive pressure on the brush will result in premature wear on the tip causing poor contact – Please refer to the instruction manual.



**Figure 11: Brush Tip New and Worn**

### **BUSH TIP NEW AND WORN (Figure 11)**

Item #	Description
1	New Brush Tip
2	Worn Brush Tip

Ransburg Part No. 3695-00

---

[Click here to see the full range of Ransburg No.2 Electrostatic Spare Parts](#)

AA Spray stock a full range of Ransburg electrostatic spray guns, spare parts and we are one of the few Authorised Ransburg Service Repair Agents in Australia.

## Additional Information

---

Brands	Ransburg
Equipment Type	Electrostatic Spray Guns
Machine Type	Electric 240V
Machine Model Number	No.2 Gun
OEM	Original Part

