



# Ransburg 8340-36 Assembly, Fluid Hose 10m

**\$764.72**  
**INCL. GST**

## Product Images



## Short Description

Ransburg 8340-36 Assembly, Fluid Hose 10m x 1/4" is a durable solvent resistant fluid hose that supplies paint from the pressure pot to the inlet of the Ransburg No.2 electrostatic gun.

## Description

Ransburg 8340-36 Assembly, Fluid Hose 10m is a durable solvent resistant fluid hose that supplies paint from the pressure pot to the inlet of the Ransburg No.2 electrostatic gun. Quality made in the USA and includes fittings at each end.

Hose features re-usable fittings at both ends.

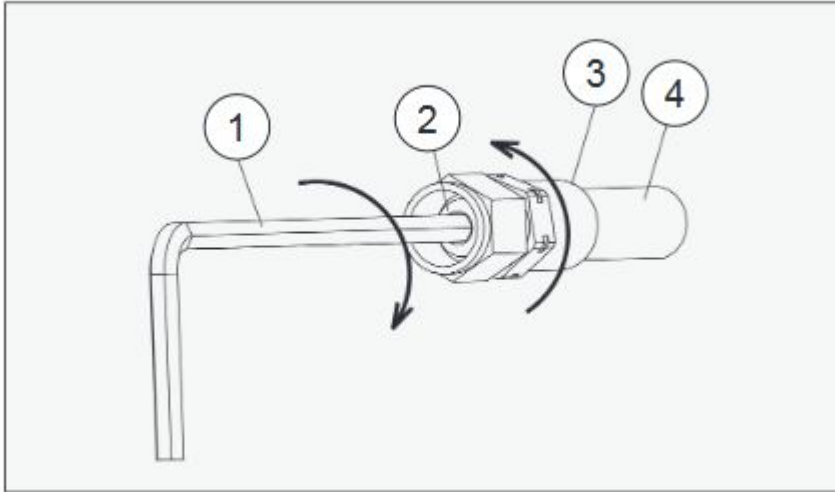


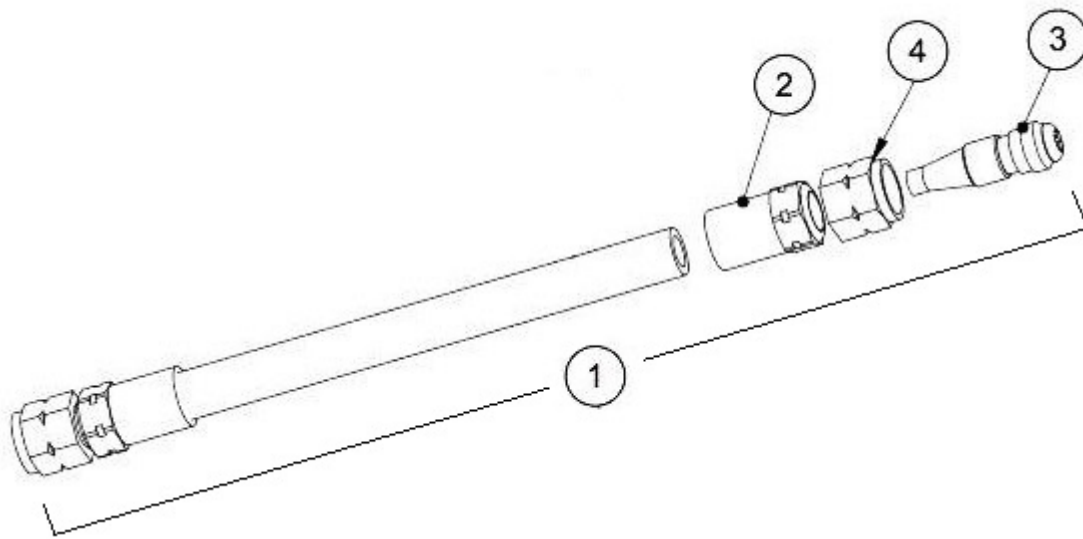
Figure 5: Air or Fluid Fitting Assembly Procedure

### AIR/FLUID FITTING ASSEMBLY PROCEDURE (Figure 5)

Item #	Description
1	4.5 mm (3/16") Hex Key
2	Stem
3	Ferrule
4	Hose (Fluid or Air)

#### Items used in the hose assembly 8340-36 -

- Item 1 - [8340-36](#) Fluid hose 10m
- Item 2 - [7617-00](#) Fitting hose, ferrule, chrome plate
- Item 3 - [7623-00](#) Stem union fitting, hose
- Item 4 - [6503-00](#) Nut fitting 9/16-18 left hand thread



Lubricate all fittings with [Ransburg LSCH0009 Dielectric Grease](#).

Ransburg Part No. 8340-36

---

[Click here to see the full range of Ransburg No.2 Electrostatic Spare Parts](#)

AA Spray stock a full range of Ransburg electrostatic spray guns, spare parts and we are one of the few Authorised Ransburg Service Repair Agents in Australia.

## Additional Information

---

Brands	Ransburg
Equipment Type	Electrostatic Spray Guns
Machine Type	Electric 240V
Machine Model Number	No.2 Gun
OEM	Original Part

