



Ransburg 3655-00 Needle Valve Assembly

\$433.29
INCL. GST

Product Images



Short Description

Ransburg 3655-00 Needle Valve Assembly controls the fluid flow through the handle which is directly activated by pulling or releasing the gun trigger.

Description

Ransburg 3655-00 Needle Valve Assembly controls the fluid flow through the handle which is directly activated by pulling or releasing the gun trigger for all Ransburg No.2 electrostatic spray guns.



Figure 30: 7233-00 Handle Parts List

7233-00 HANDLE - PARTS LIST (Figure 30)

Item #	Description	Part #
1	HANDLE, MACHINED NO. 2	7234-00
2	ASSEMBLY, NEEDLE	3655-00
3	TRIGGER #2 MACHINED	3649-00
4	PIN,ROLL	2594-8
5	HOSE RETAINER	7135-00
6	PACKING	2845-00
7	BUSHING	6803-2
8	SEAT, NEEDLE	3654-00
9	SLEEVE	3653-00
10	BUSHING	6803-1
11	CONNECTOR ASSEMBLY, HOSE	17356-00
12	BUSHING SPACER	3978-00
13	SCREW, RD HD, #6	7747-20C
14	LATCH, TRIGGER	3979-00
15	SPRING, LATCH,TRIGGER	3977-00
16	WASHER, THRUST	5008-00

Ransburg 3655-00 Needle Valve Assembly Parts –

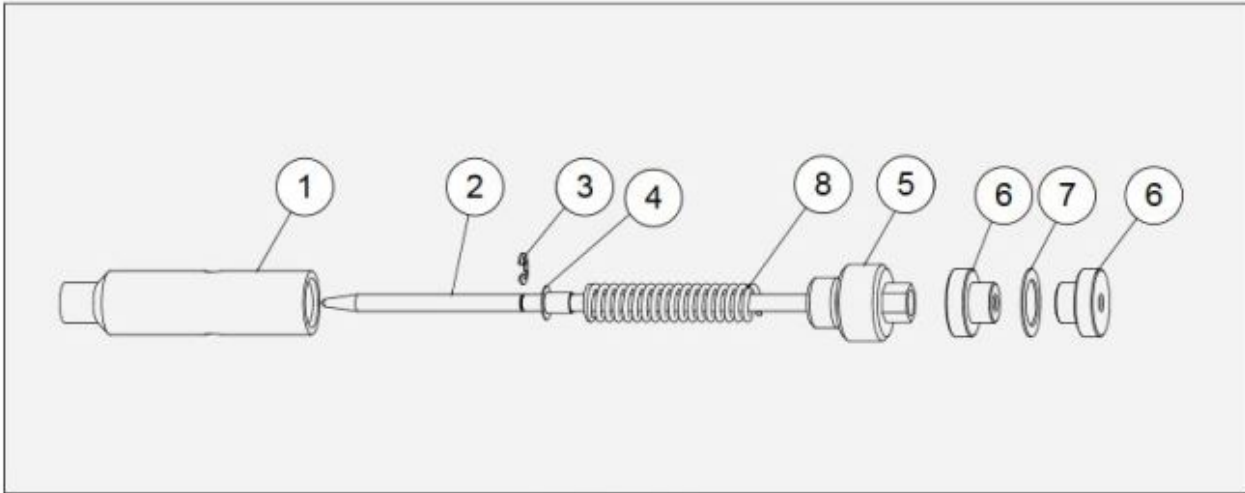


Figure 29: Needle Valve Assembly Parts

NEEDLE VALVE ASSEMBLY PARTS LIST (Figure 29)		
Item #	Description	Part #
1	Housing, Spring	3659-00
2	Needle, No.2 Hand Gun	3657-00
3	External Retaining Ring	3688-1
4	Eyelet, #5	3803-01
5	Retainer, Spring	3658-00
6	Nut, Lock	3441-00
7	Washer, Plastic Thrust	5008-00
8	Spring, Compression	2846-00

Ransburg Part No. 3655-00

[Click here to see the full range of Ransburg No.2 Electrostatic Spare Parts](#)

AA Spray stock a full range of Ransburg electrostatic spray guns, spare parts and we are one of the few Authorised Ransburg Service Repair Agents in Australia.

Additional Information

Brands	Ransburg
Equipment Type	Electrostatic Spray Guns
Machine Type	Electric 240V
Machine Model Number	No.2 Gun
OEM	Original Part

