



# Graco 287513 ProConnect Pump For UltraMax II 1095 & GMax II 5900

**\$1,606.00**  
**INCL. GST**

## Product Images



## Short Description

---

Graco 287513 Displacement Pump will suit UltraMax II 1095 & Gmax II 5900 airless ProContractor series sprayers between 2010-2016. Please note, this is the original ProConnect pump that uses a connecting pin between the end of the piston rod and the connecting rod.

## Description

---

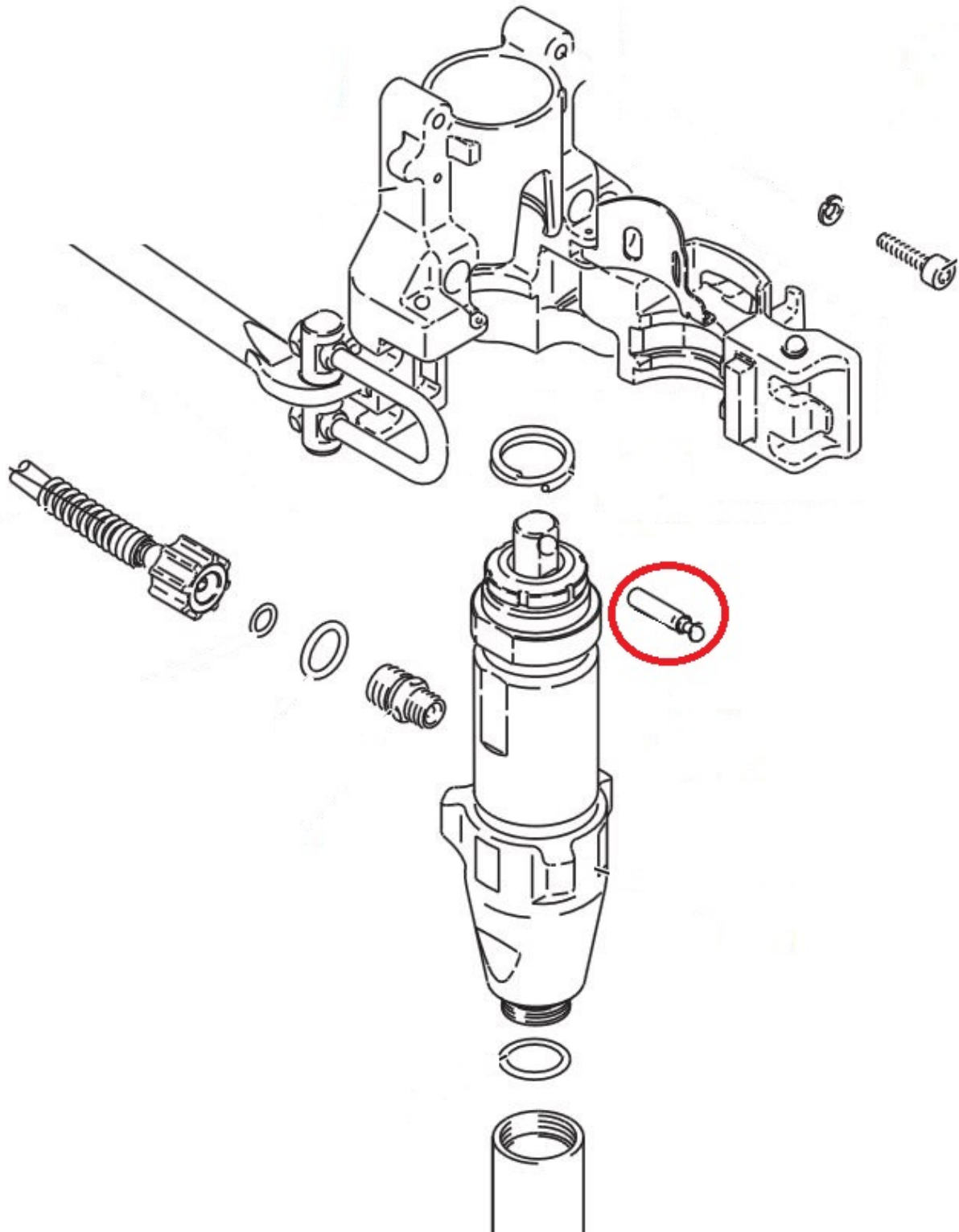
Graco 287513 ProConnect Displacement pump can be quickly changed on the job to keep you spraying. Thanks to Graco's ProConnect pump removal system changing your worn pump has never been easier.

Simple three step removal systems allows fast replacement of worn pumps to keep you spraying and eliminating down time.

### **Graco 287513 Displacement pump will suit the following models –**

- Graco [258884](#) –UltraMax II 1095 ProContractor (No hose reel)
- Graco [258886](#) –UltraMax II 1095 ProContractor (With hose reel)
- Graco 258732 –GMax II 5900 (With hose reel)

Please note, this is the original ProConnect pump that uses a connecting pin between the end of the piston rod and the connecting rod. Connecting pin is circled in red below.



This pump will not fit later model ProContractor UltraMax II 1095 airless sprayers sold in Australia from 2016 onwards.

Graco Part No. 287513

Visit our product download centre for manuals & spare parts

## Additional Information

Brands	Graco
Equipment Type	Airless Sprayers
Machine Type	Electric 240V, Petrol
Machine Model Number	1095 UltraMax II, 5900 GMax II
OEM	Original Part

