



# Wagner 0158245 Pressure Control Valve

Regular Price

**\$460.92** Special  
Price

**\$391.79**

**INCL. GST**

## Product Images



## Short Description

Wagner 0158245 Pressure Control Valve suits older Wagner diaphragm airless sprayers from about 1970 through to the late 90's. These include the classic models sold in Australia such as the 207, 6500, 7000 & the Finish 400.

## Description

---

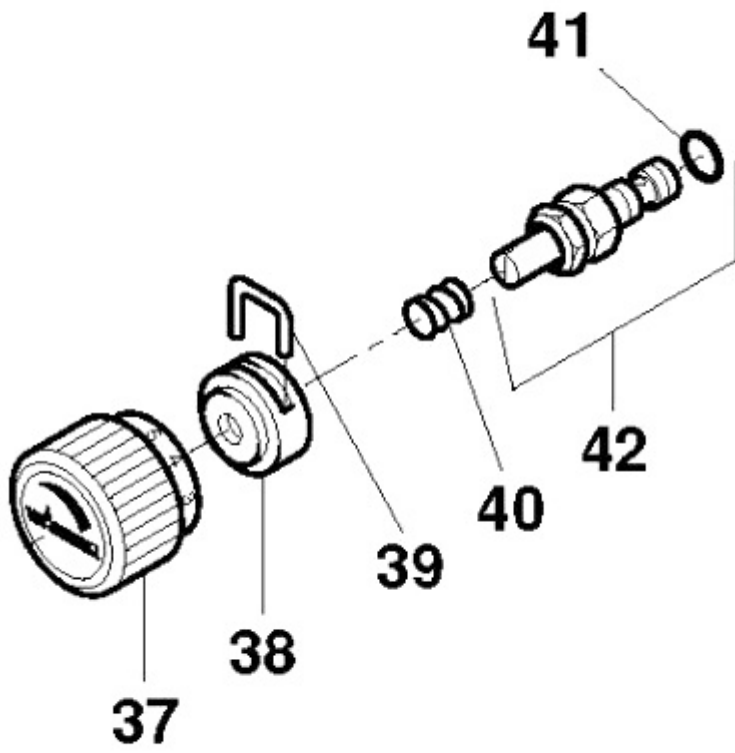
Wagner 0158245 Pressure Control Valve suits older Wagner diaphragm airless sprayers from about 1970 through to the late 90's.

### **Wagner 0158245 Pressure Control Valve suits -**

- Wagner Everspray 2500
- Wagner Everspray 3000
- Wagner Everspray 3500
- Wagner Everspray 4500
- Wagner 1400H
- Wagner 2600H
- Wagner 6500H
- Wagner 7000H
- Wagner F205
- Wagner F207
- Wagner F400
- Wagner F500
- Wagner F250
- Wagner F270
- Wagner F350
- Wagner F370

### **Wagner 0158245 Pressure Control Valve includes the following items -**

- Item 37 - 0158251 Pressure control knob
- Item 38 - 0010859 Stop sleeve
- Item 39 - 0010858 Clip
- Item 40 - 0010861 Compression spring
- Item 42 - 0010825 Pressure control unit
- Item 41 - 9971365 O ring 9.25 x 1.78



Wagner Part No. 0158245

[Visit our product download centre for manuals & spare parts](#)

## Additional Information

---

Brands	Wagner
Equipment Type	Airless Sprayers
Machine Type	Electric 240V, Petrol Powered
Machine Model Number	F250, F270, F350, F370, F205, F207, F208G, F211, Everspray 1000, Everspray 2000, Everspray 2500, Everspray 3000, Everspray GE3000, Everspray 3500, Everspray 4500, 1400H, 2600H, 6500H, 7000H, Finish 400, Finish 500
OEM	Original Part

