



Ransburg 6503-00 Nut Fitting 9/16-18 LH Thread

\$26.24
INCL. GST

Product Images



Short Description

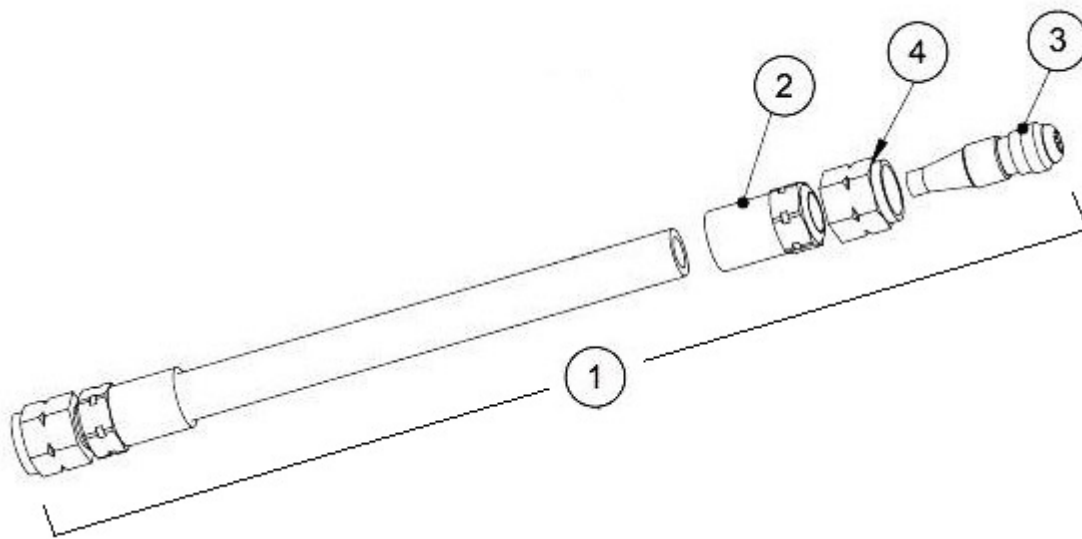
Ransburg 6503-00 Nut Fitting 9/16-18 LH Thread is one of three fittings needed to make up the connection fitting assembly at the end of the Ransburg 10m x 1/4" material hose part no. 8340-36.

Description

Ransburg 6503-00 Nut Fitting 9/16-18 LH Thread is one of three fittings needed to make up the connection fitting assembly at the end of the Ransburg 10m x 1/4" material hose part no. 8340-36.

Items used in the hose assembly 8340-36 -

- Item 1 - 8340-36 Fluid hose 10m
- Item 2 - 7617-00 Fitting hose, ferrule, chorme plate
- Item 3 - 7623-00 Stem union fitting, hose
- Item 4 - 6503-00 Nut fitting 9/16-18 left hand thread



Ransburg 6503-00 Nut Fitting 9/16-18 LH Thread only requires a few simple tools to fit and remove. These fittings are re-usable which means if your hose becomes kinked near the end you can remove the fittings, cut the hose a little shorter and re-use the same fittings.

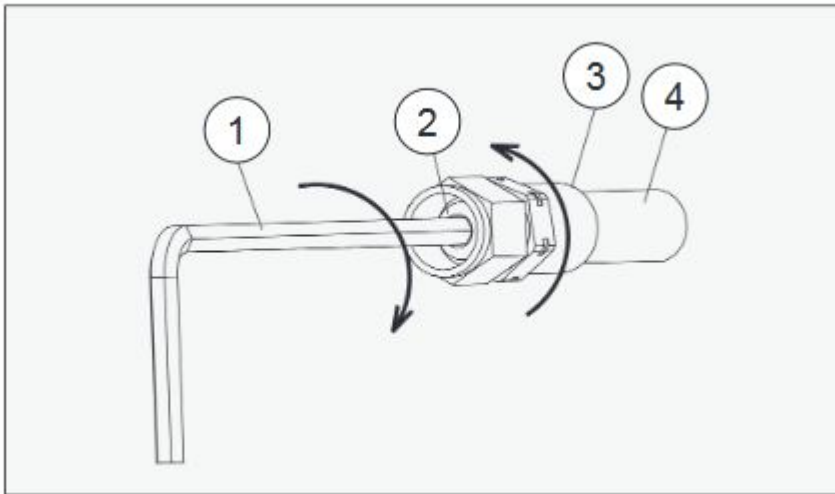


Figure 5: Air or Fluid Fitting Assembly Procedure

AIR/FLUID FITTING ASSEMBLY PROCEDURE (Figure 5)	
Item #	Description
1	4.5 mm (3/16") Hex Key
2	Stem
3	Ferrule
4	Hose (Fluid or Air)

Lubricate all fittings with [Ransburg LSCH0009 Dielectric Grease](#).

Ransburg Part No. 6503-00

[Click here to see the full range of Ransburg No.2 Electrostatic Spare Parts](#)

AA Spray stock a full range of Ransburg electrostatic spray guns, spare parts and we are one of the few Authorised Ransburg Service Repair Agents in Australia.

Additional Information

Brands	Ransburg
Equipment Type	Electrostatic Spray Guns
Machine Type	Electric 240V
Machine Model Number	No.2 Gun
OEM	Original Part

