



# Ransburg 7617-00 Fitting Hose Ferrule Chrome Plate

**\$16.06**  
**INCL. GST**

## Product Images



## Short Description

Ransburg 7617-00 Fitting Hose Ferrule Chrome Plate is one of three fittings needed to make up the

connection fitting assembly at the end of the Ransburg 10m x 1/4" material hose part no. 8340-36.

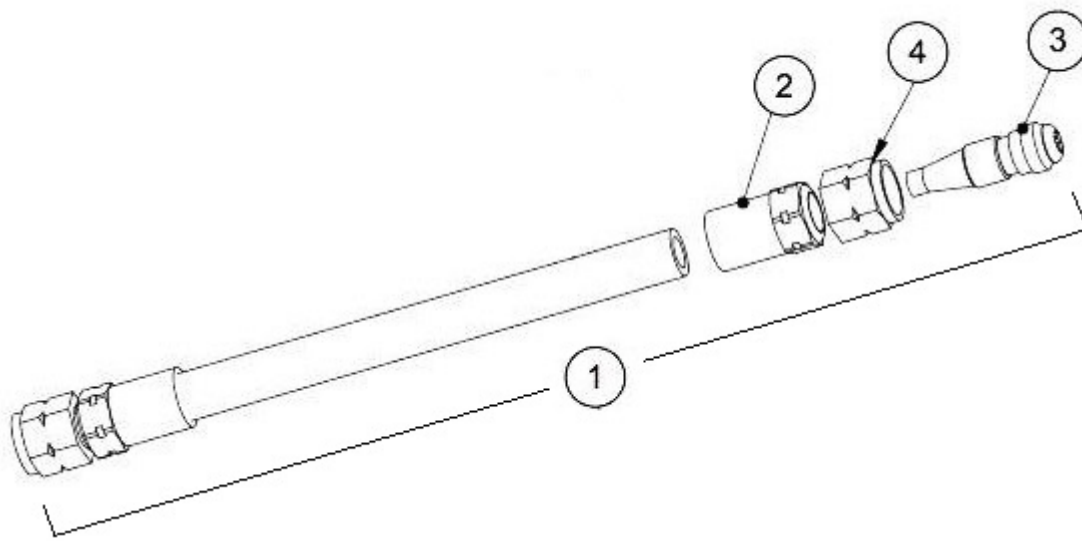
## Description

---

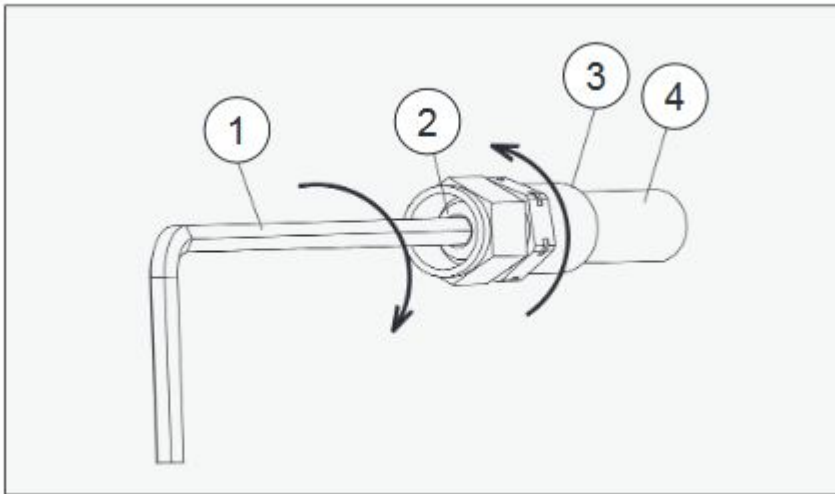
Ransburg 7617-00 Fitting Hose Ferrule Chrome Plate is one of three fittings needed to make up the connection fitting assembly at the end of the Ransburg 10m x 1/4" material hose part no. 8340-36.

### Items used in the hose assembly 8340-36 -

- Item 1 - 8340-36 Fluid hose 10m
- Item 2 - 7617-00 Fitting hose, ferrule, chrome plate
- Item 3 - 7623-00 Stem union fitting, hose
- Item 4 - 6503-00 Nut fitting 9/16-18 left hand thread



Ransburg 6503-00 Nut Fitting 9/16-18 LH Thread only requires a few simple tools to fit and remove. These fittings are re-usable which means if your hose becomes kinked near the end you can remove the fittings, cut the hose a little shorter and re-use the same fittings.



**Figure 5: Air or Fluid Fitting Assembly Procedure**

<b>AIR/FLUID FITTING ASSEMBLY PROCEDURE (Figure 5)</b>	
<b>Item #</b>	<b>Description</b>
1	4.5 mm (3/16") Hex Key
2	Stem
3	Ferrule
4	Hose (Fluid or Air)

Lubricate all fittings with [Ransburg LSCH0009 Dielectric Grease](#).

Ransburg Part No. 7617-00

[Click here to see the full range of Ransburg No.2 Electrostatic Spare Parts](#)

AA Spray stock a full range of Ransburg electrostatic spray guns, spare parts and we are one of the few Authorised Ransburg Service Repair Agents in Australia.

## Additional Information

---

Brands	Ransburg
Equipment Type	Electrostatic Spray Guns
Machine Type	Electric 240V
Machine Model Number	No.2 Gun
OEM	Original Part

