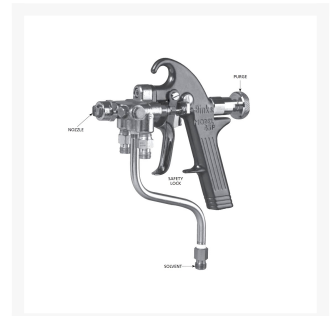




Binks 6370-0000-6 43P Plural Component Airless Gun

\$5,352.38
INCL. GST

Product Images



Short Description

The Binks 43P Airless Plural Component Spray Gun is an internal impingement mix plural component. This

model has an internal impingement method of fluid mixing with no moving parts, stainless steel gun head and drop forged aluminum gun body.

Description

The Binks 43P Airless Plural Component Spray Gun is an internal impingement mix plural component.

This model has an internal impingement method of fluid mixing with no moving parts. The mixing chamber has replaceable PTFE liner. A separate, independent solvent flush valve and control make gun head cleanout fast. Gun head is stainless steel, the body is drop-forged aluminum.

Please note - This gun does not include a spray tip.

Binks 6370-0000-6 43P Plural Component Airless Gun features -

- Resin inlets with spring loaded check valves
- Separate inlet for solvent purge
- Solvent purge control
- Externally removable impingement orifices - Ball type needle fluid valves
- Gun head clean-out ports
- Interchangeable spray tips - Trigger safety lock
- Stainless steel head, aluminum body
- Various pour/atomizing adapters available - Interchangeable orifice sizes for off-ratio materials.
- Made in the USA.

Binks Part No. 6370-000-6

Replaces Binks Part No. 102-1700

AA Spray stock Binks 43P plural component airless spray guns and a full range of spare parts.

[Click here to see the full range of spare parts for the Binks 43P Gun](#)

Additional Information

Brands	Binks
Equipment Type	Airless Sprayers
Machine Type	Airless Spray Guns
Machine Model Number	43P
OEM	Original Part

