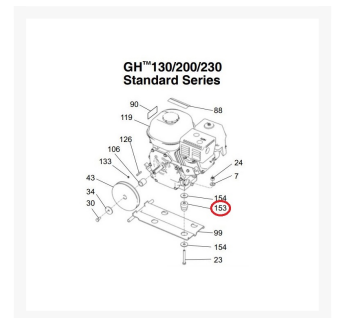




# Graco 15E888 Dampener Motor Mount

**\$25.19**  
**INCL. GST**

## Product Images



## Short Description

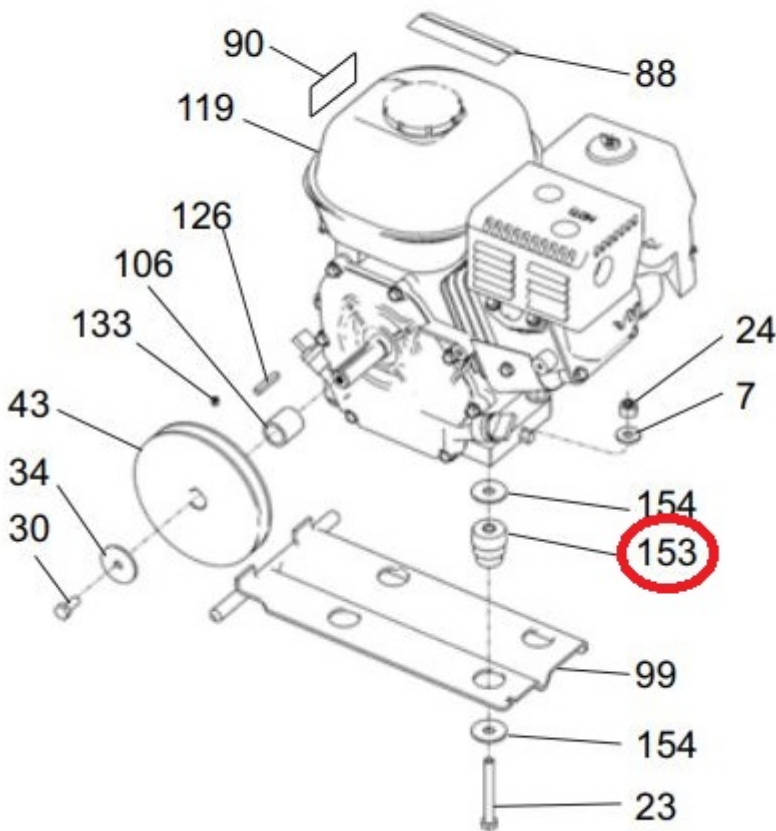
Graco 15E888 Dampener Motor Mount is used for mounting Honda Petrol Engines on Graco GH130/GH200/GH230 petrol airless sprayers & 130HS/200HS/200DC/200MMA line marking machines.

## Description

Graco 15E888 Dampener Motor Mount is used for mounting Honda Petrol Engines on Graco GH130/GH200/GH230 petrol airless sprayers & 130HS/200HS/200DC/200MMA line marking machines.

Dampener motor mount is designed to reduce vibration from the motor but over time the rubber will begin to breakdown and they will need to be replaced. Worn dampener motor mounts can cause the Honda engine positioning to change and effect the alignment on the drive belt causing premature wear on the belt and even oil leaks from the crank seal of the Honda engine.

### GH™130/200/230 Standard Series



**Graco 15E888 Dampener Motor Mount will suit the following models –**

- Graco GH130 Petrol airless sprayers
- Graco GH200 Petrol airless sprayers
- Graco GH230 Petrol airless sprayers
- Graco 130HS LineLazer IV line marker
- Graco 200HS LineLazer IV line marker
- Graco 130HS LineLazer V line marker
- Graco 200HS LineLazer V line marker
- Graco 200DC LineLazer V line marker
- Graco 200MMA LineLazer V line marker
-

Visit our product download centre for manuals & spare parts

## Additional Information

---

Brands	Graco
Equipment Type	Airless Sprayers, Line Marking Machines
Machine Type	Petrol
Machine Model Number	GH130, GH200, GH230, 200HS LineLazer V, 130HS LineLazer IV, 130HS LineLazer V, 200HS LineLazer IV
OEM	Original Part

