



# Atomex AX/XM-300-000A Air Motor Repair Kit

**\$99.00**  
**INCL. GST**

## Product Images



## Short Description

---

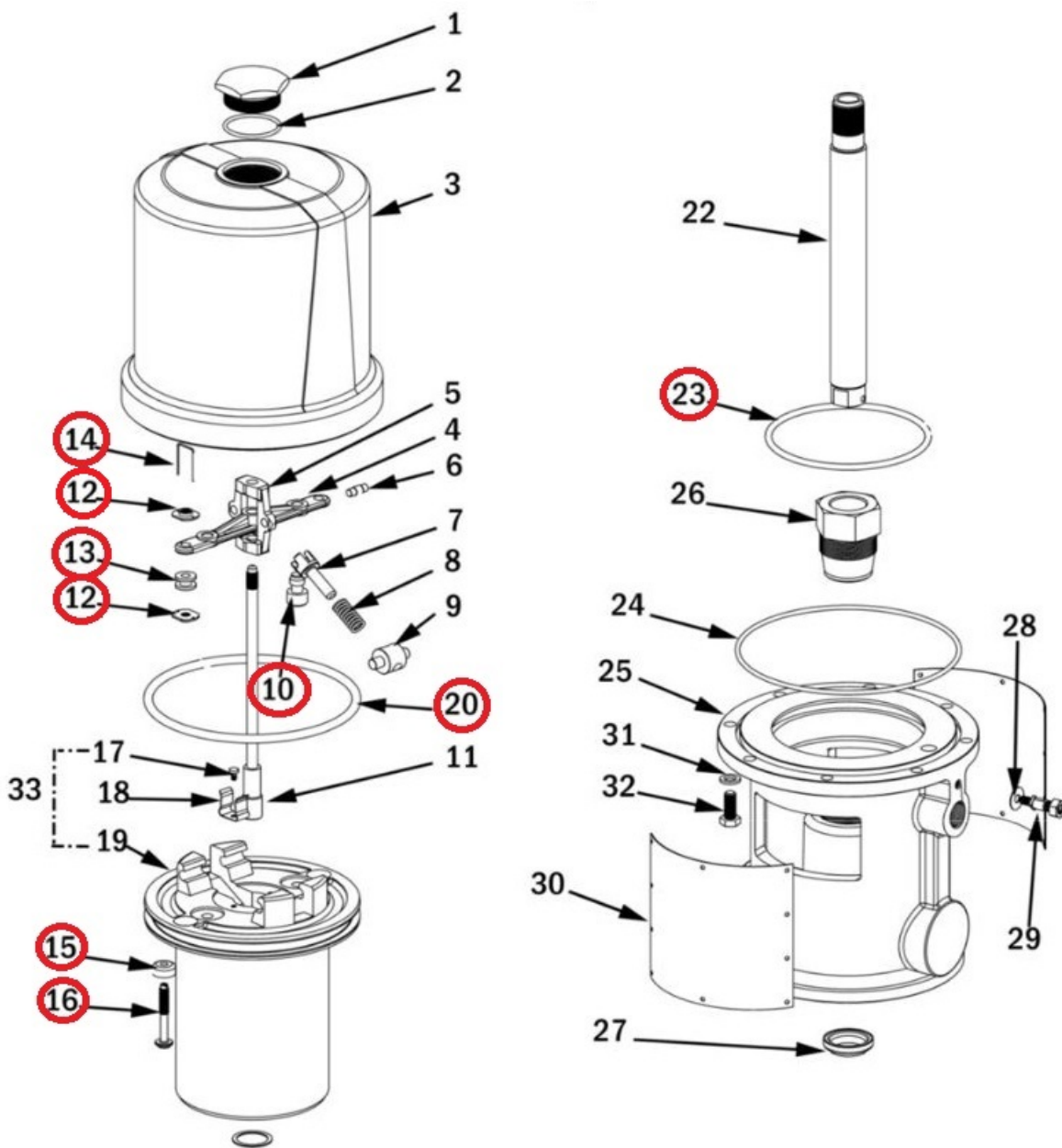
Atomex AX/XM-300-000A Air Motor Repair Kit is used for servicing the Atomex XM-30 Air Driven Airless Sprayer air motors. Includes poppet valves, nut adjusters, lockwires, valve stem and o-rings.

## Description

Atomex AX/XM-300-000A Air Motor Repair Kit is used for servicing the Atomex XM-30 Air Driven Airless Sprayer air motors. Includes poppet valves, nut adjusters, lockwires, valve stem and o-rings.

**Atomex AX/XM-300-000A Air Motor Repair Kit includes the following items -**

- Item 10 – AX/XM-301-010A Poppet, valve x 2
- Item 12 – AX/XM-301-012A Nut, adjusting x 4
- Item 13 – AX/XM-301-013A Grommet, rubber x 2
- Item 14 – AX/XM-301-014A Lockwire x 2
- Item 15 – AX/XM-301-015A Poppet, valve x 2
- Item 16 – AX/XM-301-016A Stem, valve x 2
- Item 20 – AX/XM-301-020A O-ring, piston x 1
- Item 23 – AX/XM-301-020A O-ring, cylinder x 1



**Atomex AX/XM-300-000A Air Motor Repair Kit suit the following models -**

- Atomex XM-30 Pneumatic Airless Sprayer Trolley Mounted
- Atomex XM-30 Pneumatic Airless Sprayer Pail Mounted

Atomex Part No. AX/XM-300-000A

Replaces Titan Part No. 0533925

---

[Visit our product download centre for manuals & spare parts](#)

## Additional Information

---

Brands	Atomex
Equipment Type	Airless Sprayers
Machine Type	Pneumatic
Machine Model Number	XM-30
OEM	Original Part

