



Atomex AX/XM-301-020F Intake Housing

\$128.33
INCL. GST

Product Images

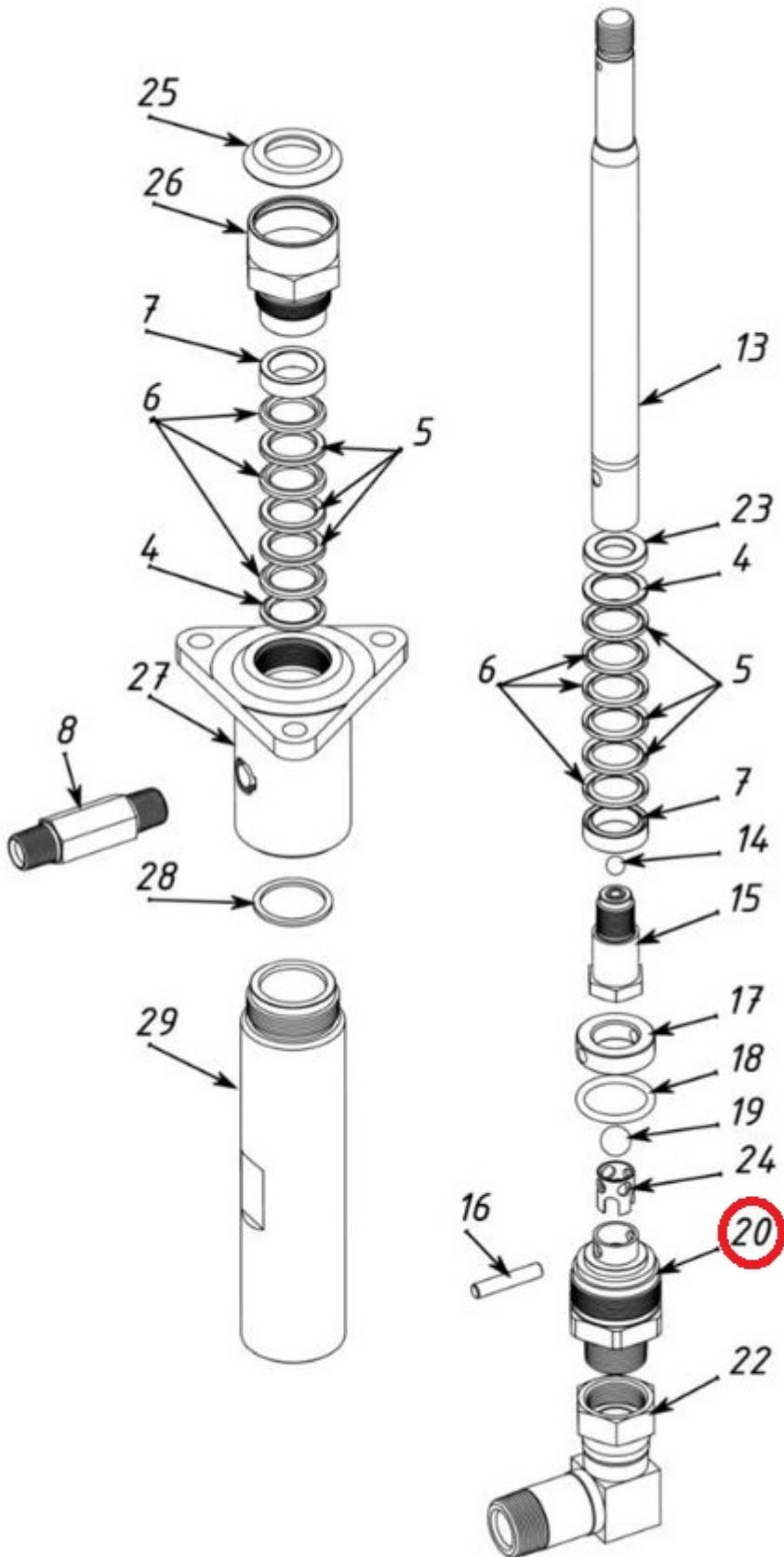


Short Description

Atomex AX/XM-301-020F Intake Housing is for the Atomex XM-30 Airless Sprayer fluid displacement pump part no. AX/XM-301-105. Intake housing is also know as the pump "foot valve" where the lower ball is located.

Description

Atomex AX/XM-301-020F Intake Housing is for the Atomex XM-30 Airless Sprayer fluid displacement pump part no. AX/XM-301-105. Intake housing is also know as the pump "foot valve" where the lower ball is located.



Atomex AX/XM-301-020F Intake Housing suit the following models -

- Atomex XM-30 Pneumatic Airless Sprayer Trolley Mounted
- Atomex XM-30 Pneumatic Airless Sprayer Pail Mounted

[Visit our product download centre for manuals & spare parts](#)

Additional Information

Brands	Atomex
Equipment Type	Airless Sprayers
Machine Type	Pneumatic
Machine Model Number	XM-30
OEM	Original Part

