



Atomex AX/XM-301-016F Pin Retainer

\$2.52
INCL. GST

Product Images

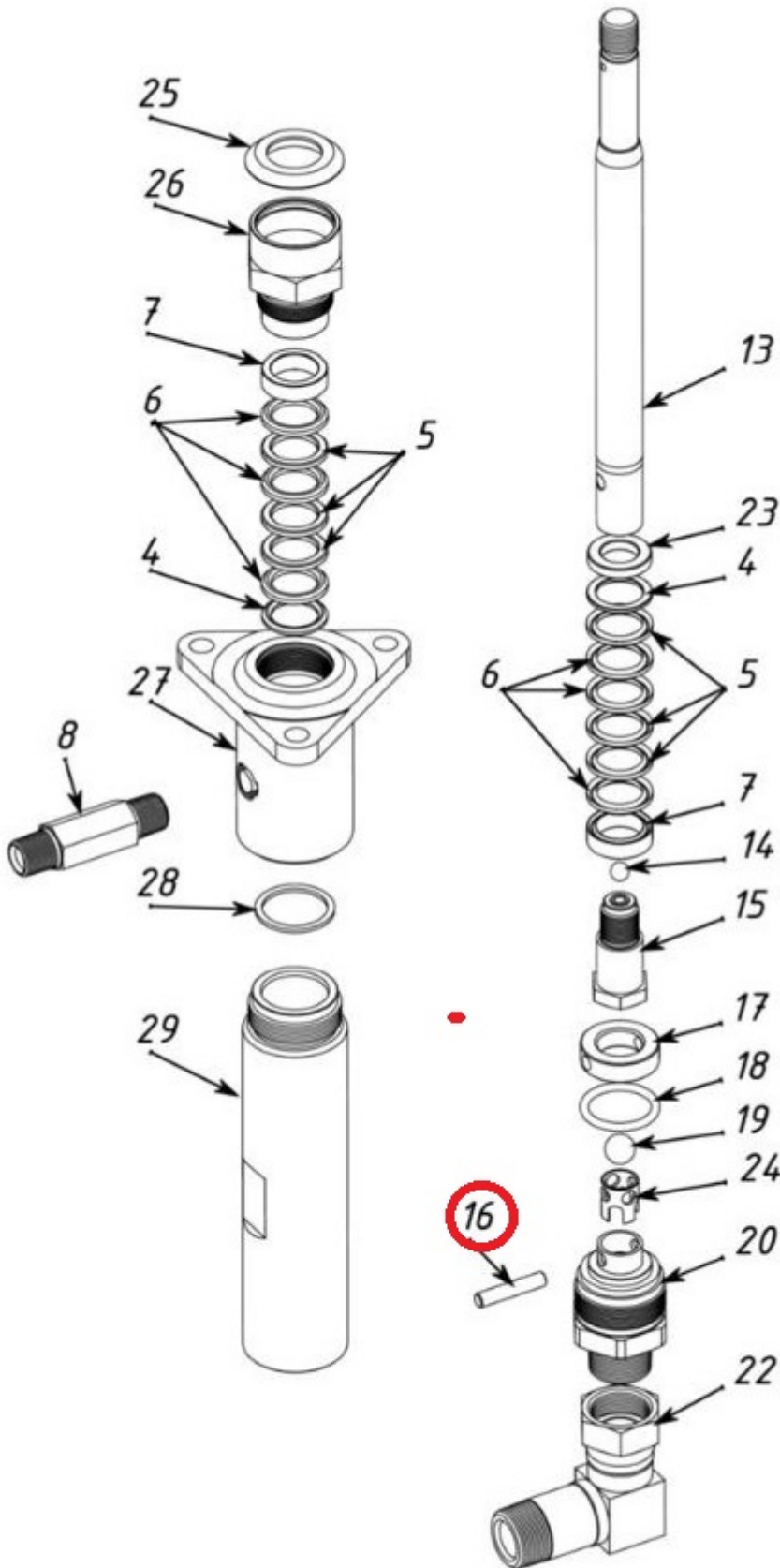


Short Description

Atomex AX/XM-301-016F Pin Retainer is used in the Atomex XM-30 Airless Sprayer fluid section part no. AX/XM-301-105. The pin retainer is used in the intake housing part no. AX/XM-301-20F.

Description

Atomex AX/XM-301-016F Pin Retainer is used in the Atomex XM-30 Airless Sprayer fluid section part no. AX/XM-301-105. The pin retainer is used in the [intake housing part no. AX/XM-301-20F](#)



Atomex AX/XM-301-016F Pin Retainer suit the following models -

- Atomex XM-30 Pneumatic Airless Sprayer Trolley Mounted
- Atomex XM-30 Pneumatic Airless Sprayer Pail Mounted
-

Visit our product download centre for manuals & spare parts

Additional Information

Brands	Atomex
Equipment Type	Airless Sprayers
Machine Type	Pneumatic
Machine Model Number	XM-30
OEM	Original Part

