



Wagner 0580060 Control Pro 250/350 Fluid Section

\$327.40
INCL. GST

Product Images



Short Description

Wagner 0580060 Control Pro 250/350 Fluid Section is a complete pump replacement which includes the piston, inlet valve, outlet valve and prime/spray valve.

Description

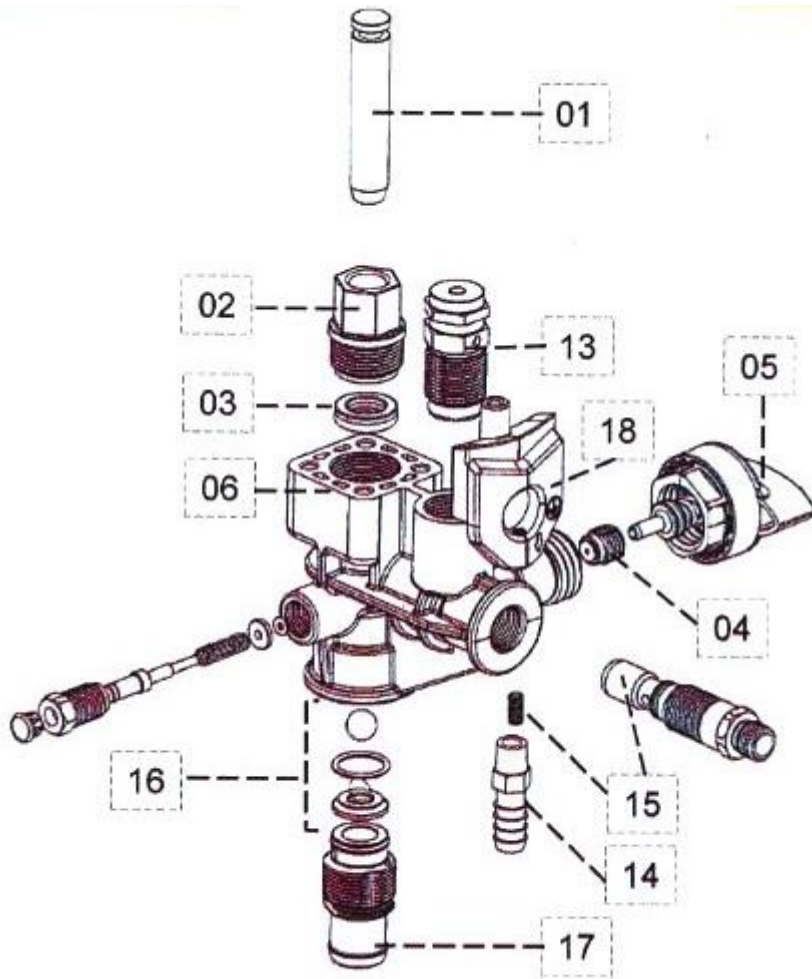
Wagner 0580060 Control Pro 250/350 Fluid Section is a complete pump replacement which includes the piston, inlet valve, outlet valve and prime/spray valve.

If your Control Pro Sprayer is losing pressure, difficult to prime or leaks paint from the fluid section area then you should replace the pump.

Replacing the pump is the ideal way to service your Control Pro Sprayer, changing the entire fluid section ensures that the machine will work to optimum performance.

Wagner 0580060 Fluid Section includes the following items -

- Item 01 - [0580032 Piston](#)
- Item 02 - [0580077 Piston bushing](#)
- Item 03 - [0580080 Piston seal](#)
- Item 04 - [0580076 Prime valve seat](#)
- Item 05 - [0580063 Prime valve switch](#)
- Item 06 - [0580061 Fluid section housing](#)
- Item 13 - [0580074 Transducer assembly](#)
- Item 14 - [9885553 Return hose fitting](#)
- Item 15 - [0580072A Outlet valve](#)
- Item 16 - [0580391 Inlet valve repair kit](#)
- Item 17 - [0580071A Inlet valve housing with "O-ring"](#)
- Item 18 - [0580065 Ground Plate](#)



Wagner 0580060 Control Pro 250/350 Fluid Section is used with the following models -

Wagner Control Pro 250M (Sold in Bunnings only)

Wagner Control Pro 350M (Sold in Bunnings only)

[Wagner Control Pro 350 Extra Skid](#) (Part no. 2371063)

[Wagner Control Pro 350 Extra Cart](#) (Part no. 2371067)

Wagner Part No. 0580060

[Click here to see Control Pro 250/350 Spare Parts & Accessories](#)

Additional Information

Brands	Wagner
Equipment Type	Airless Sprayers
Machine Type	Electric 240V
Machine Model Number	Control Pro 350, Control Pro 250
OEM	Original Part

