



Wagner 0418912 Paint Crew Inlet & Outlet Valve Repair Kit

Regular Price

\$165.00 Special Price

\$79.44

INCL. GST

Product Images



Short Description

Wagner 0418912 Paint Crew Inlet & Outlet Valve Kit Set includes the inlet valve, inlet valve o-rings & outlet valve complete. Simple service kit only requires a few tools to change over but always consult the instruction

manual before attempting to service.

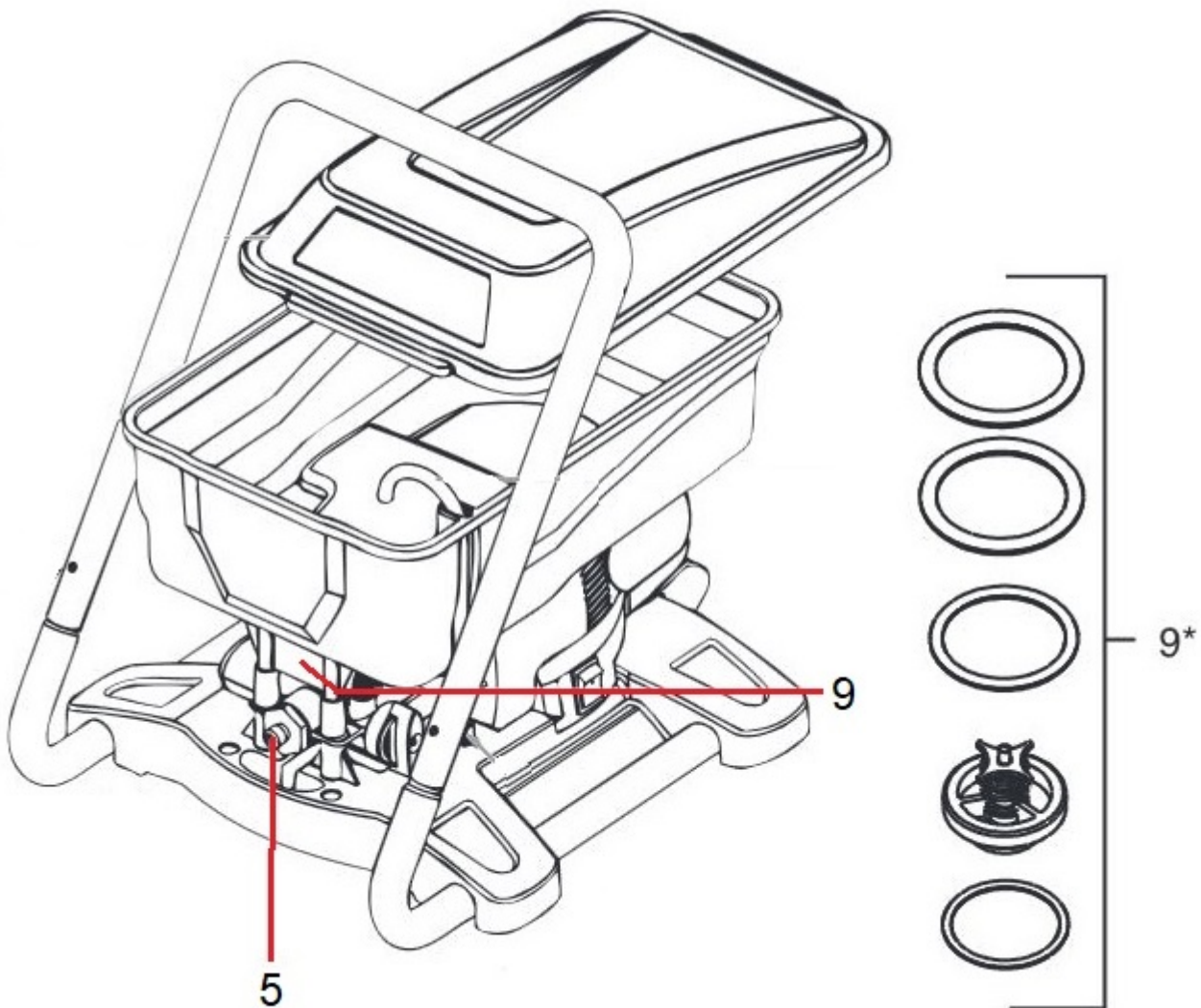
Description

Wagner 0418912 Paint Crew Inlet & Outlet Valve Kit Set includes the inlet valve, inlet valve o-rings & outlet valve complete. Simple service kit only requires a few tools to change over but always consult the instruction manual before attempting to service.

This service kit is what you will require if your sprayer no longer primes, builds pressure or sprays. The inlet and outlet valves will wear over time and need replacing.

Wagner 0418912 Paint Crew Inlet & Outlet Valve Kit includes -

- Item 5 - 0515237 Outlet valve complete
- Item 9 - 0515221 Inlet valve with o-rings



Wagner 0418912 Paint Crew Inlet & Outlet Valve Kit is used with the following models -

Wagner Paint Crew DIY Airless Sprayer

Wagner Part No. 0418912

Visit our product download centre for manuals & spare parts

Additional Information

Brands	Wagner
Equipment Type	Airless Sprayers
Machine Type	Electric 240V
Machine Model Number	Paint Crew
OEM	Original Part

