



Wagner 0515221 Paint Crew Inlet Valve Repair Kit

\$25.85
INCL. GST

Product Images



Short Description

Wagner 0515221 Paint Crew Inlet Valve Repair Kit includes the inlet valve & inlet valve o-rings. Simple service kit only requires a few tools to change over but always consult the instruction manual before attempting to service.

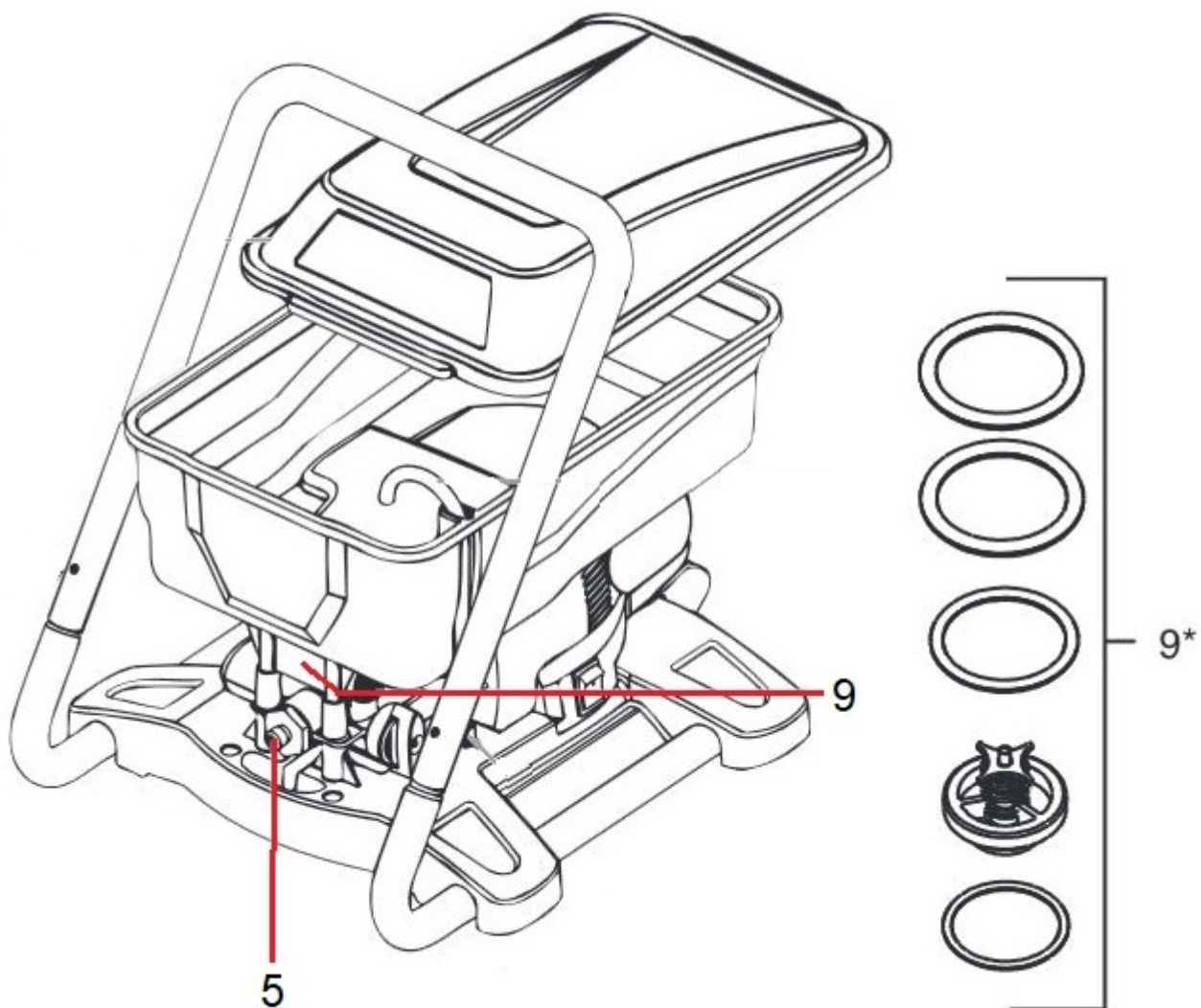
Description

Wagner 0515221 Paint Crew Inlet Valve Repair Kit includes the inlet valve & inlet valve o-rings. Simple service kit only requires a few tools to change over but always consult the instruction manual before attempting to service.

It is recommended to change both the inlet and outlet valves to ensure your machine is working to maximum performance. Use Wagner Inlet & Outlet Valve Repair Kit [Part No. 0418912](#)

Wagner 0515221 Paint Crew Inlet Valve Repair Kit includes -

- Item 9 - 0515221 Inlet valve with o-rings



Wagner 0515221 Paint Crew Inlet Valve Repair Kit is used with the following models -

Wagner Paint Crew DIY Airless Sprayer

Wagner Part No. 0515221

[Visit our product download centre for manuals & spare parts](#)

Additional Information

Brands	Wagner
Equipment Type	Airless Sprayers
Machine Type	Electric 240V
Machine Model Number	Paint Crew
OEM	Original Part

