



Wagner 0418715 Project Pro 117 Service Kit

\$583.15
INCL. GST

Product Images



Short Description

Wagner 0418715 Project Pro 117 Service repair Kit includes complete piston rod, packing seals, packing nut, packing insertion tool, copper grease and intake valve assembly.

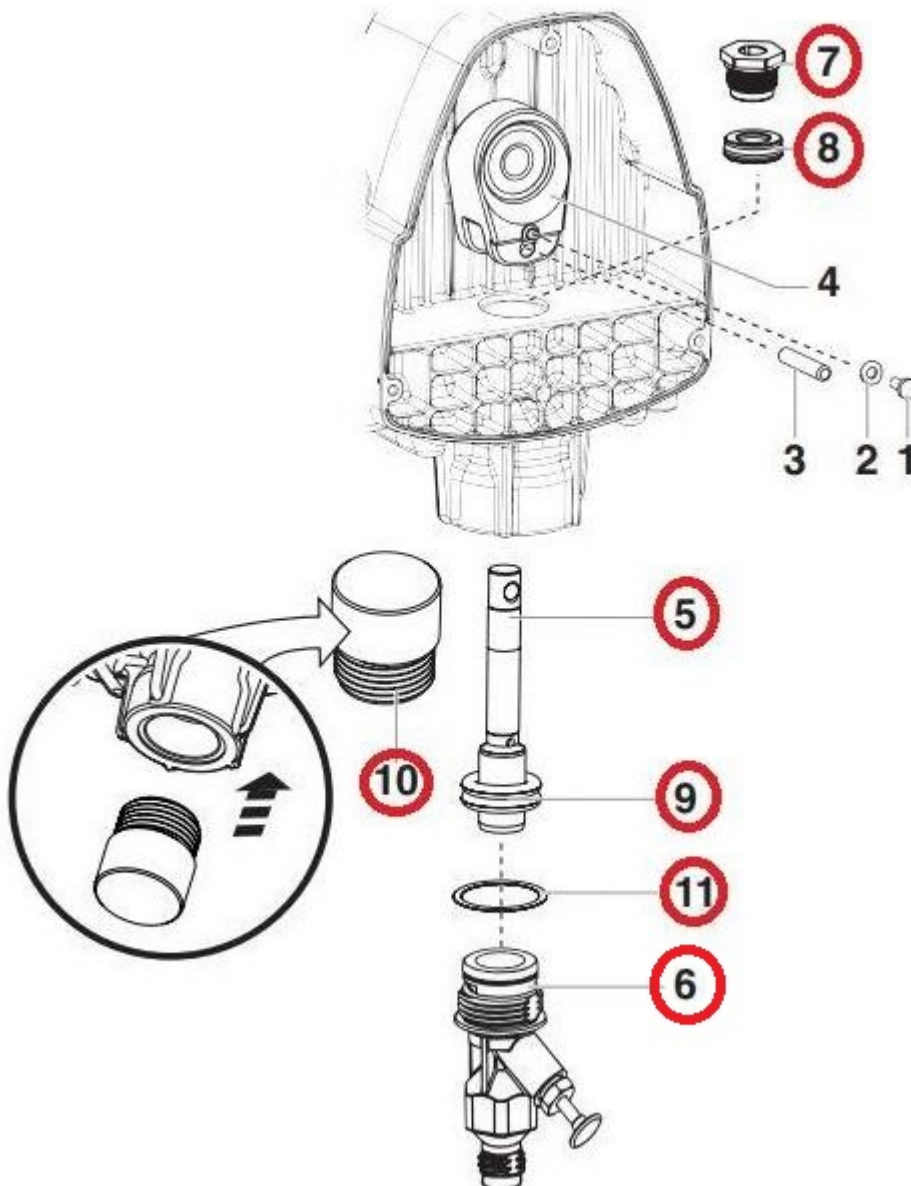
Description

Wagner 0418715 Project Pro 117 Service repair Kit includes complete piston rod, packing seals, packing nut, packing insertion tool, copper grease and intake valve assembly.

This service kit is what you will require if your sprayer no longer primes, builds pressure or leaks paint around the top of the packing nut. Packing seals & piston rods will wear over time with use and replacing these items are a normal part of maintenance.

Wagner 0418715 Project Pro 117 Service Repair Kit includes the following items -

- Item 5 - 9822600 Piston rod complete
- Item 7 - 0512386 Packing nut
- Item 6 - 0516292 Intake Valve Assembly
- Item 8 - 0512306 Upper packing seal
- Item 9 - 0523384 Lower packing seal
- Item 10 - Packing seal insertion tool
- Item 11 - O-ring



Wagner 0418715 Project Pro 117 Service Kit is used with the following models -

Wagner Project Pro 117 DIY Airless Sprayer

Wagner Part No. 0418715

[Visit our product download centre for manuals & spare parts](#)

Additional Information

Brands	Wagner
Equipment Type	Airless Sprayers
Machine Type	Electric 240V
Machine Model Number	Project Pro 117
OEM	Original Part

