



Graco 108526 Replacement Packing O- Ring

\$14.78
INCL. GST

Product Images



Short Description

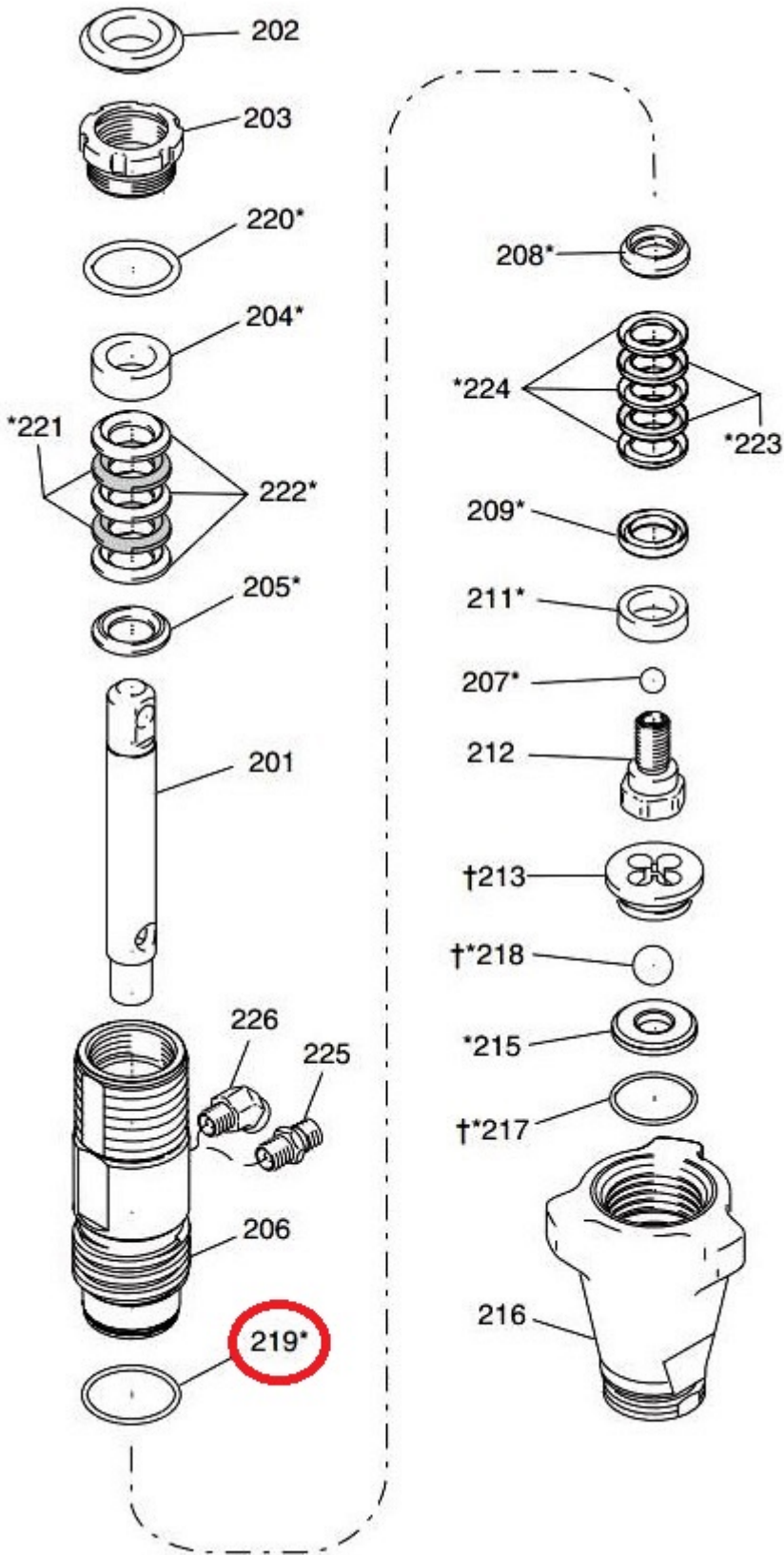
Graco 108526 Replacement Packing O-Ring is widely used throughout the Graco range of equipment including Ultra, PC Pro, UltraMax II & GMax II airless sprayers.

Description

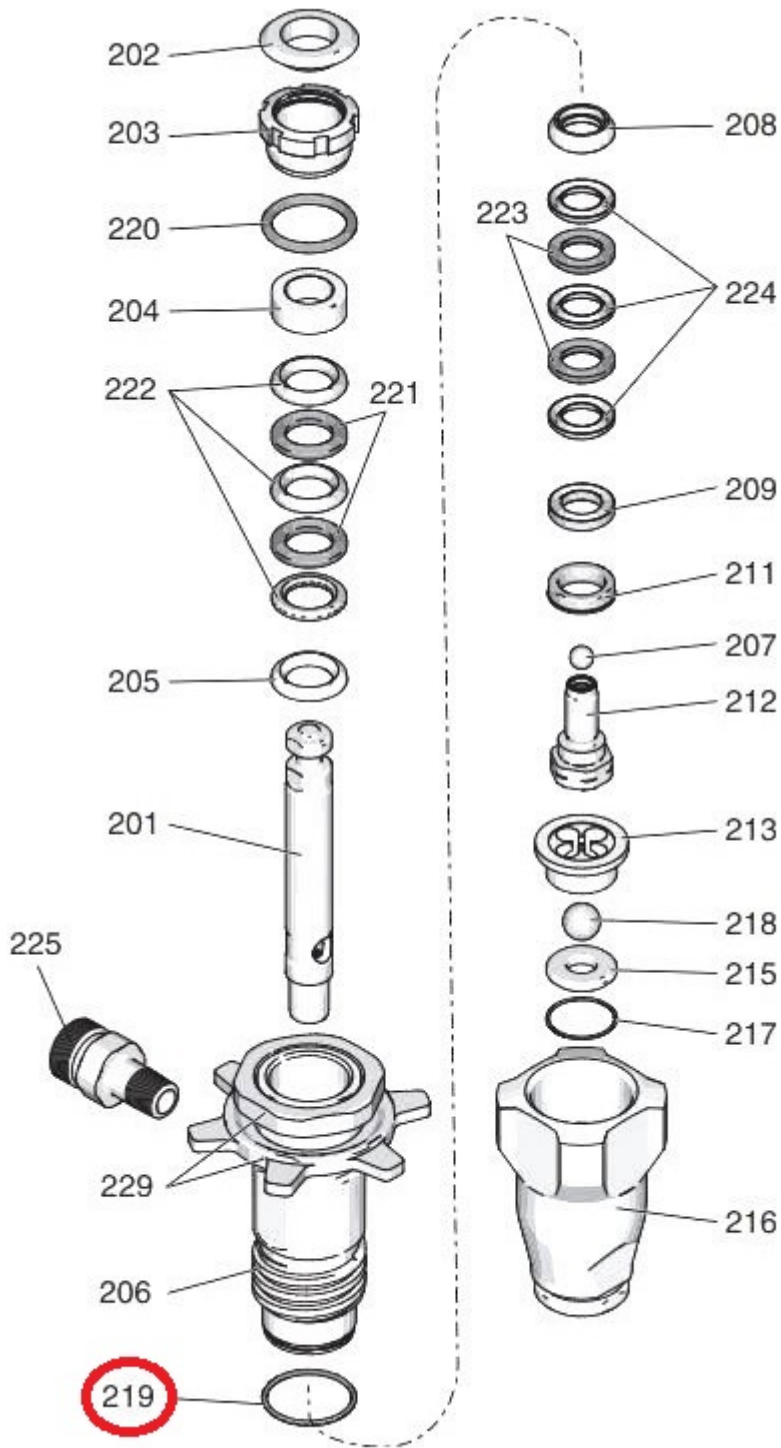
Graco 108526 Replacement Packing O-Ring is widely used throughout the Graco range of equipment including Ultra, PC Pro, UltraMax II & GMax II airless sprayers.

The 108526 Packing O-Ring also known as a "teflon seal" is commonly purchased for Graco 190, 390, 395, 490, 495, 595, 695 & 795, Gmax II 3400 & Gmax II 3900 airless sprayers where paint leaks out of the pump between the cylinder and the intake valve housing or "foot valve".

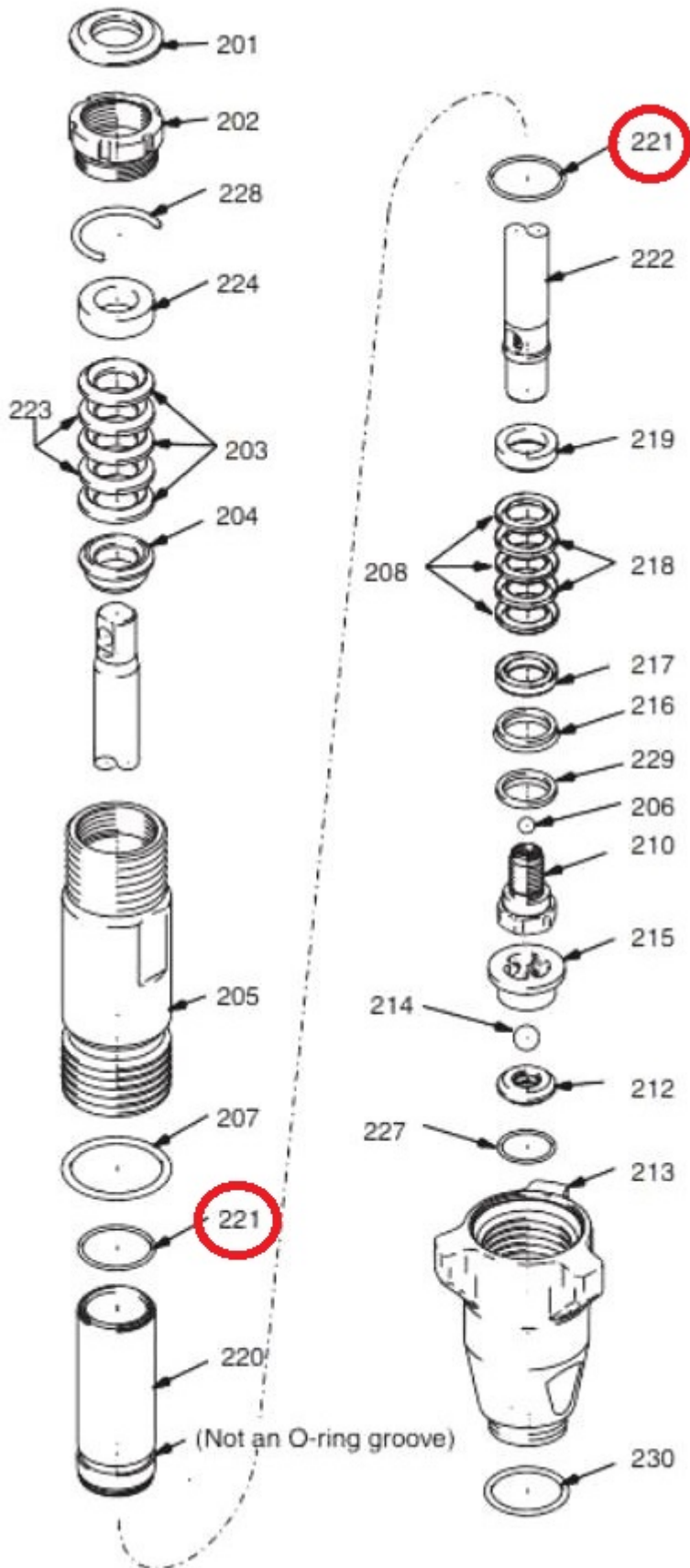
Location of 108526 Packing O-Ring in an older 17C720 pump -



Location of 108526 Packing O-Ring in a newer 17C488 PC pump -



Location of 108526 Packing O-Ring in a 695/795 pump -



It is common for these seals to break which will cause paint to leak out of the intake housing. Many customers attempt to fix the foot valve leak wrapping teflon tape, blue tape, rags and all sorts of things but the only fix will be to replace the seal. Replacement of this seal is very quick and easy so we recommend that you keep a few in your tool box.

Atomex Part No. AX/G108-526

Replaces Graco Part No. 108526

Replaces Airlessco Part No. 106-011

[Visit our product download centre for manuals & spare parts](#)

Additional Information

Brands	Airlessco, Graco
Equipment Type	Airless Sprayers
Machine Type	Electric 240V
Machine Model Number	190 PC Express, 390 PC, 395 PC PRO, 490 PC PRO, 495 PC PRO, 595 PC PRO, 650 PC PRO, 395 PC FinishPro, 595 PC FinishPro, 390, 395 Ultra, 490 UltraMax II, 495 UltraMax II, 595 UltraMax II, 390 FinishPro, 395 FinishPro, 595 FinishPro, 3400 LineLazer, 3900 LineLazer V, 5900 LineLazer V, 695 UltraMax II, 795 UltraMax II, 3400 GMax II, 3900 GMax II, 5900 GMax II, GH130, 130HS LineLazer IV, 130HS LineLazer V, 3900 LineLazer IV, 5900 LineLazer IV, 5900HD Gmax II, LP500, LP600, LP2600, LP540, LP690
OEM	Aftermarket

