



Wagner 0504117 Project Pro 115 Sleeve Kit

\$25.85
INCL. GST

Product Images



Short Description

Wagner 0504117 Project Pro 115 Sleeve Kit includes tension nut, sleeve inlet, o-ring and gasket. The sleeve kit can easily be damaged when removing to replace the inlet valve so keeping a spare sleeve kit will reduce frustration when refitting.

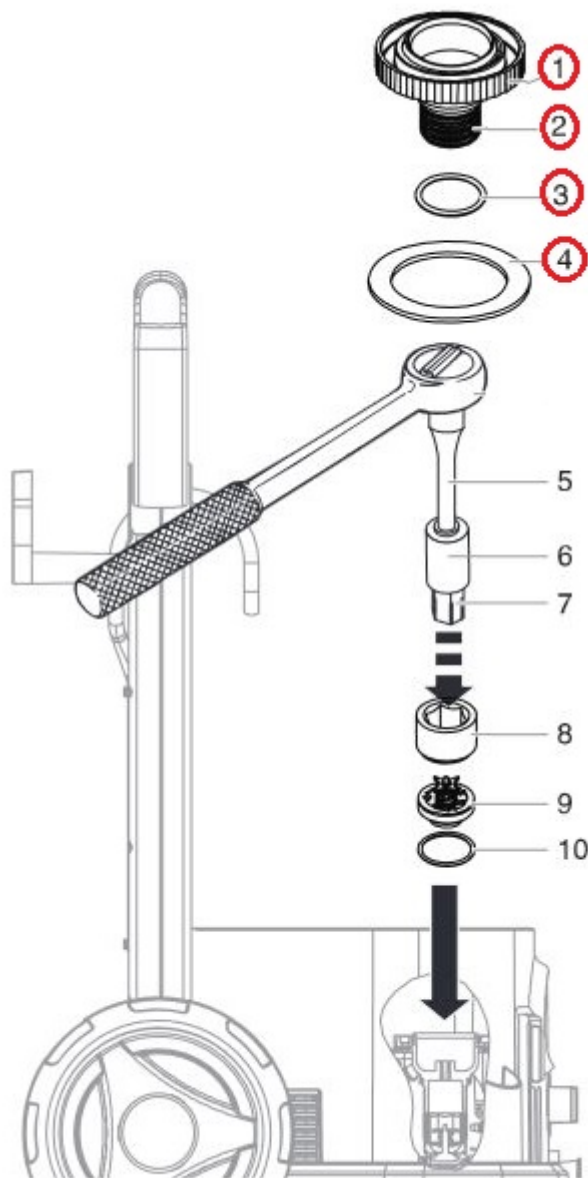
Description

Wagner 0504117 Project Pro 115 Sleeve Kit includes tension nut, sleeve inlet, o-ring and gasket.

The sleeve kit can easily be damaged when removing to replace the inlet valve, we suggest to purchase this item when fitting a new Repair Service Kit [Part No. 0418714](#).

Wagner 0504117 Project Pro 115 Sleeve Kit includes the following items -

- Item 1 - 0515534 Tension nut
- Item 2 - [0515502 Sleeve inlet](#)
- Item 3 - 9871169 O-ring
- Item 4 - 0515533 Gasket



Wagner 0504117 Project Pro 115 Sleeve Kit is used with the following models -

Wagner Project Pro 115 DIY Airless Sprayer

Wagner Part No. 0504117

Visit our product download centre for manuals & spare parts

Additional Information

Brands	Wagner
Equipment Type	Airless Sprayers
Machine Type	Electric 240V
Machine Model Number	Project Pro 115
OEM	Original Part

