



# Wagner 2399783 Control Pro 150 Inlet Valve Kit

**\$49.20**  
**INCL. GST**

## Product Images



## Short Description

---

Wagner 2399783 Control Pro 150 Inlet Valve Kit is required when servicing your Control Pro 150. Worn inlet valves should be replaced if your sprayer will not hold pressure.

## Description

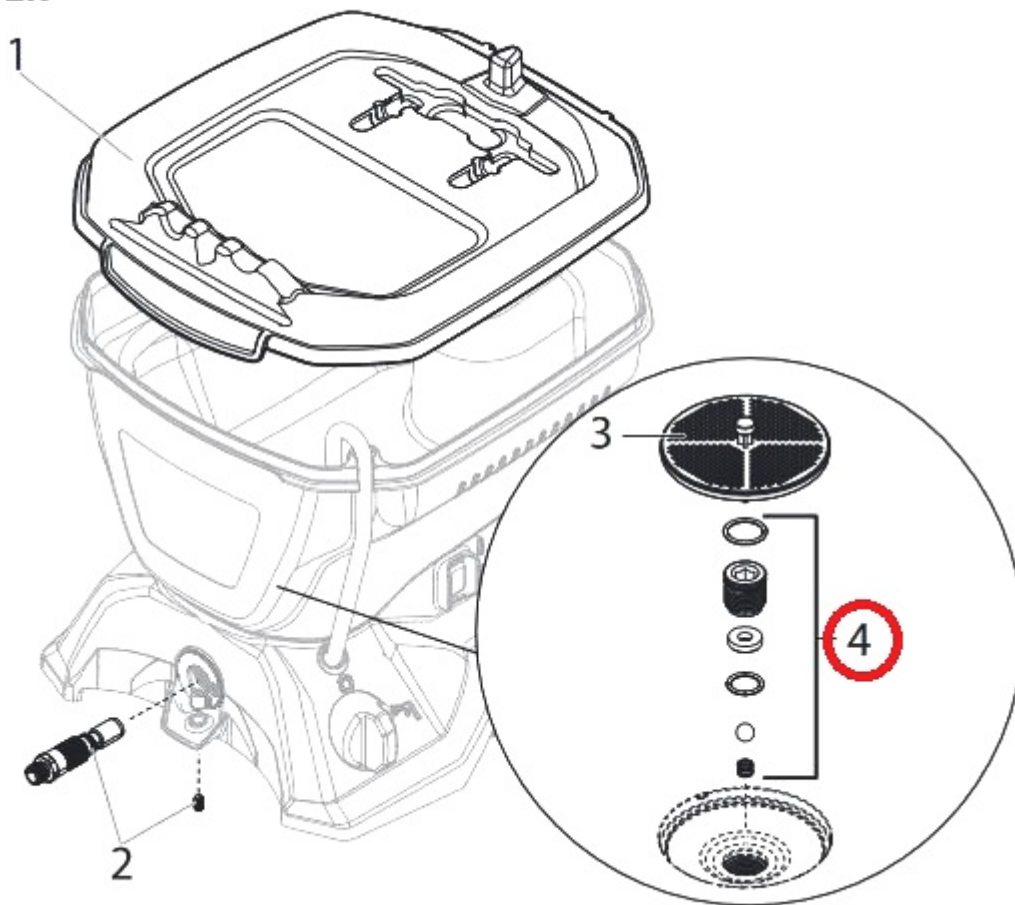
---

Wagner 2399783 Control Pro 150 Inlet Valve Kit is required when servicing your Control Pro 150. Worn inlet valves should be replaced if your sprayer will not hold pressure.

It is recommended to change the Outlet Valve ([part no. 2399767](#)) at the same time as these valves will both wear at the same rate. Replacing your [Control Pro Spray Tip](#) is also a must, if your sprayer has reached the point of use where it needs to be serviced your spray tip is most likely worn.

**Wagner 2399783 Inlet Valve Kit includes all items shown in location 4 -**

### SPRAYER



**Wagner 2399783 Inlet Valve Kit is used with the following models -**

Wagner Control Pro 150

Wagner Part No. 2399783

---

[Click here to see Control Pro 150 Spare Parts & Accessories](#)

## Additional Information

---

Brands	Wagner
Equipment Type	Airless Sprayers
Machine Type	Electric 240V
Machine Model Number	Control Pro 150
OEM	Original Part

