



# Wagner 2399777 Control Pro 150 Inlet Filter

**\$11.62**  
**INCL. GST**

## Product Images



## Short Description

---

Wagner 2399777 Control Pro 150 Inlet Filter is required when using your Control Pro 150. Blocked or missing filters will affect the performance of your sprayer.

## Description

---

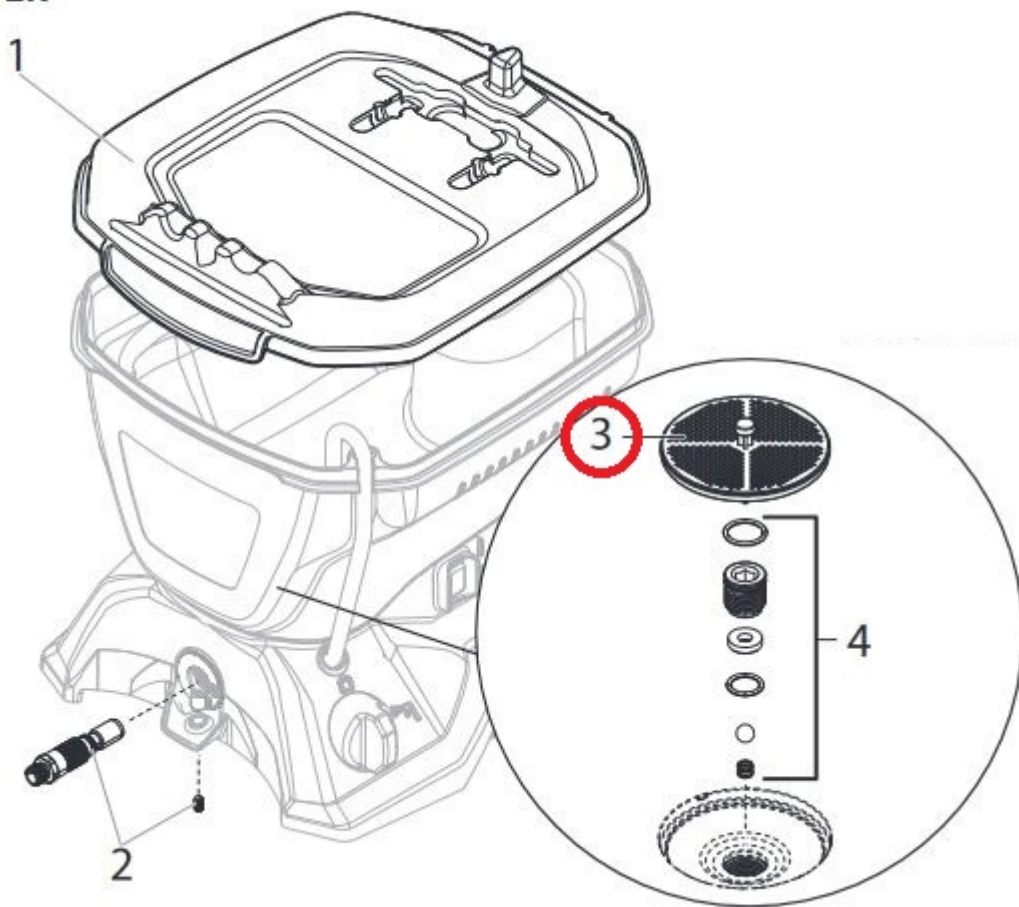
Wagner 2399777 Control Pro 150 Inlet Filter is required when using your Control Pro 150. Blocked or missing filters will affect the performance of your sprayer.

The filter is designed to stop rubbish and debris in the paint from entering the pump which may cause the inlet valve to not close or block the outlet valve. If you think that new paint out of unopened drum is clean and free of rubbish then you are mistaken - it's not!

Always wash your filter after each use until it is completely clean and do not run this machine without a filter otherwise you will encounter problems.

**Wagner 2399777 Control Pro 150 Inlet Filter is shown in location 3 -**

### SPRAYER



**Wagner 2399777 Inlet Valve Kit is used with the following models -**

Wagner Control Pro 150

Wagner Part No. 2399777

---

[Click here to see Control Pro 150 Spare Parts & Accessories](#)

## Additional Information

---

Brands	Wagner
Equipment Type	Airless Sprayers
Machine Type	Electric 240V
Machine Model Number	Control Pro 150
OEM	Original Part

