



# Wagner 0580032 Control Pro 250/350 Piston

**\$26.75**  
**INCL. GST**

## Product Images



## Short Description

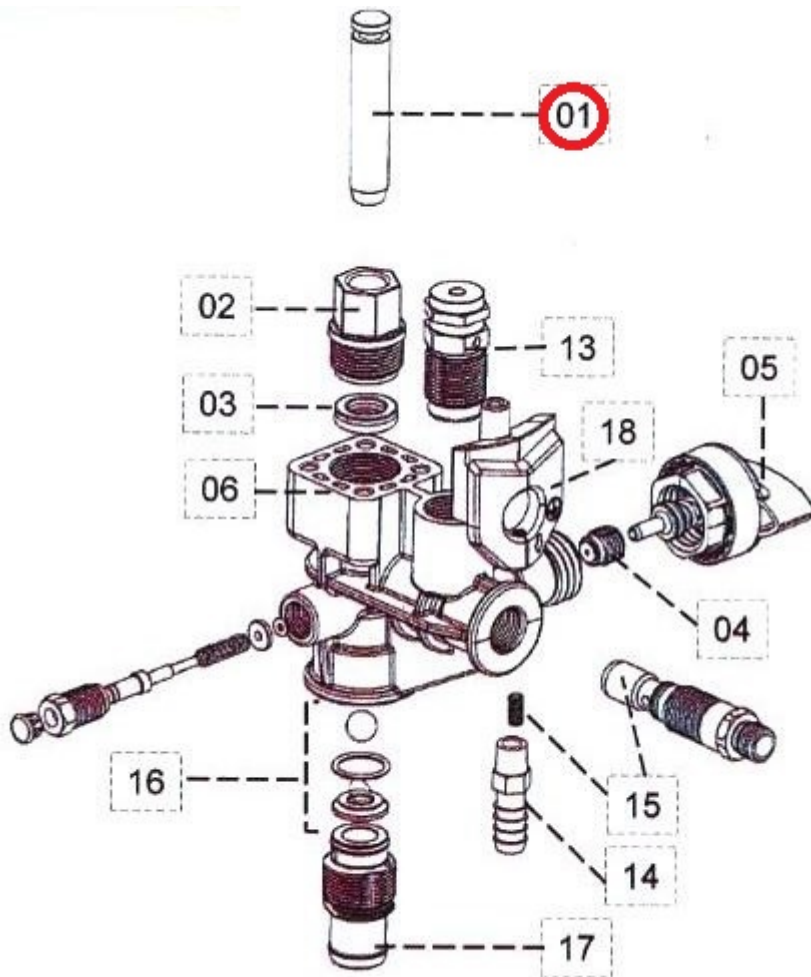
---

Wagner 0580032 Control Pro 250/350 Piston is used in both Control Pro 250 & 350 models. The piston seal should be replaced if the fluid pump is leaking from the top of the pump around the piston.

## Description

Wagner 0580032 Control Pro 250/350 Piston is used in both Control Pro 250 & 350 models. The piston seal should be replaced if the fluid pump is leaking from the top of the pump around the piston.

Recommended to also change the Piston Seal Part No. [0580080](#)



**Wagner 0580032 Control Pro 250/350 Piston is used with the following models -**

Wagner Control Pro 250M (Sold in Bunnings only)

Wagner Control Pro 350M (Sold in Bunnings only)

[Wagner Control Pro 350 Extra Skid](#) (Part no. 2371063)

[Wagner Control Pro 350 Extra Cart](#) (Part no. 2371067)

Wagner Part No. 0580032

---

[Click here to see Control Pro 250/350 Spare Parts & Accessories](#)

## Additional Information

---

Brands	Wagner
Equipment Type	Airless Sprayers
Machine Type	Electric 240V
Machine Model Number	Control Pro 350, Control Pro 250
OEM	Original Part

