



# Wagner 0580063 Control Pro 250/350 Prime Valve Switch

**\$130.50**  
**INCL. GST**

## Product Images



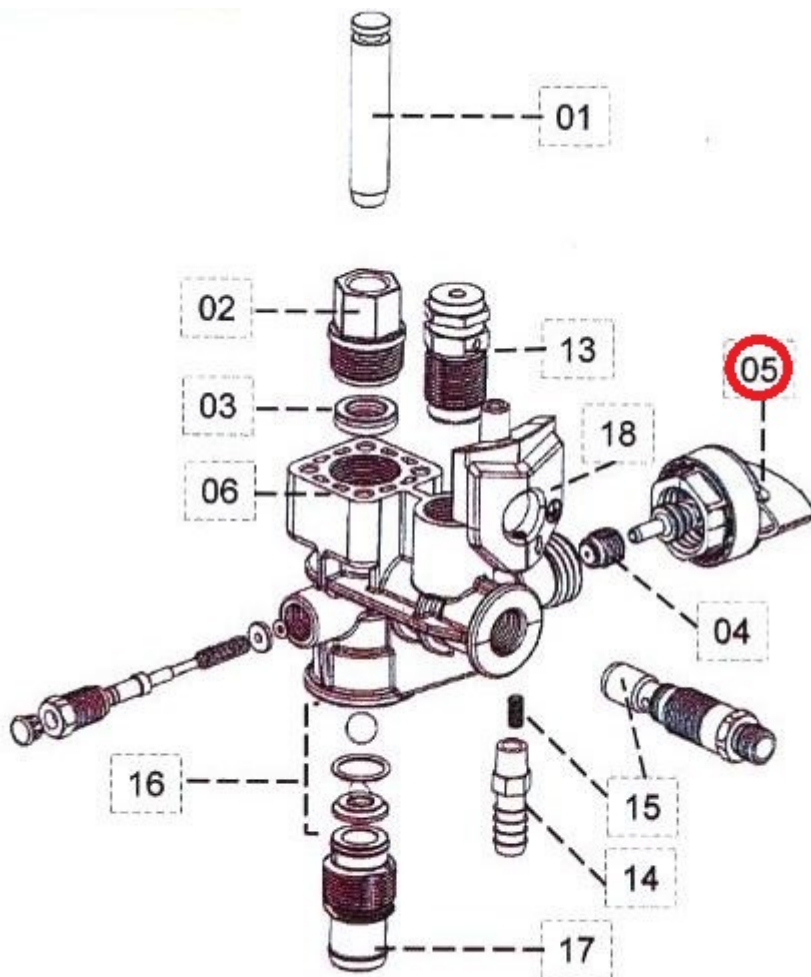
## Short Description

Wagner 0580063 Control Pro 250/350 Prime Valve Switch is used in both Control Pro 250 & 350 models. Prime spray valves will need to be replaced if the valve leaks paint through the return hose when in the closed position.

## Description

Wagner 0580063 Control Pro 250/350 Prime Valve Switch is used in both Control Pro 250 & 350 models. Prime spray valves will need to be replaced if the valve leaks paint through the return hose when in the closed position.

When replacing the Prime Valve Switch it is recommended to also replace the Prime Valve Seat Part No. 0580076.



**Wagner 0580063 Control Pro 250/350 Prime Valve Switch is used with the following models -**

Wagner Control Pro 250M (Sold in Bunnings only)

Wagner Control Pro 350M (Sold in Bunnings only)

[Wagner Control Pro 350 Extra Skid](#) (Part no. 2371063)

[Wagner Control Pro 350 Extra Cart](#) (Part no. 2371067)

Wagner Part No. 0580063

---

[Click here to see Control Pro 250/350 Spare Parts & Accessories](#)

## Additional Information

---

Brands	Wagner
Equipment Type	Airless Sprayers
Machine Type	Electric 240V
Machine Model Number	Control Pro 350, Control Pro 250
OEM	Original Part

