



Wagner 0580071A Control Pro 250/350 Inlet Valve Housing

\$20.30
INCL. GST

Product Images

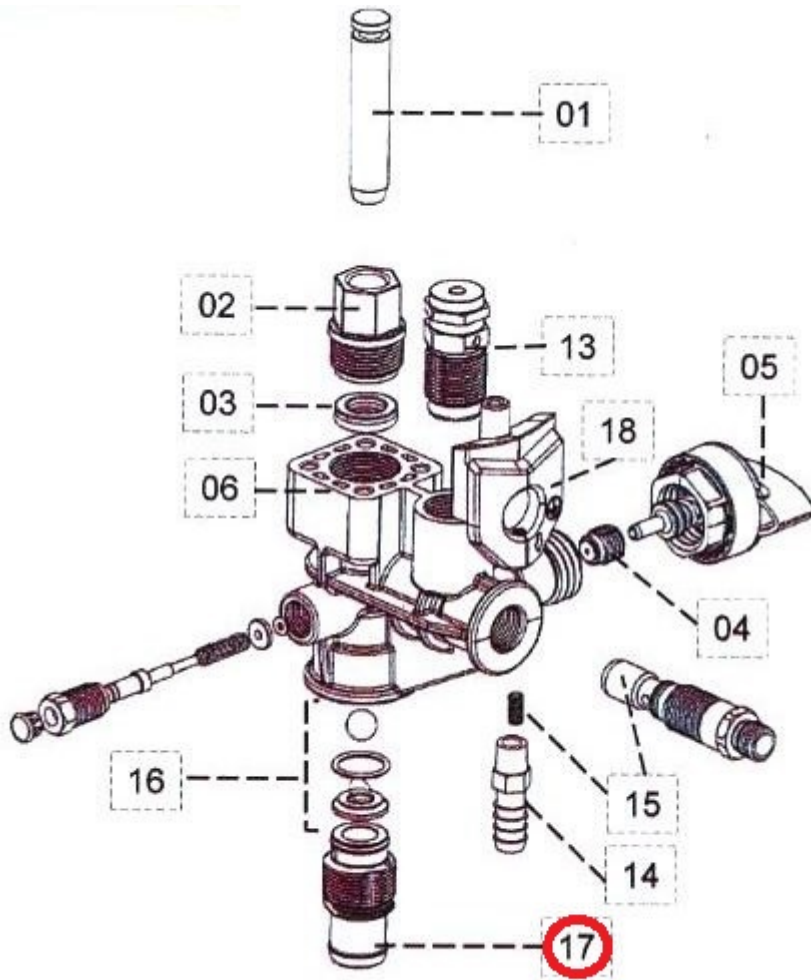


Short Description

Wagner 0580071A Control Pro 250/350 Inlet Valve Housing is used in both Control Pro 250 & 350 models. The Inlet Housing retains the inlet valve into the fluid section.

Description

Wagner 0580071A Control Pro 250/350 Inlet Valve Housing is used in both Control Pro 250 & 350 models. The Inlet Housing retains the inlet valve into the fluid section.



Wagner 0580071A Control Pro 250/350 Inlet Valve Housing is used with the following models -

Wagner Control Pro 250M (Sold in Bunnings only)

Wagner Control Pro 350M (Sold in Bunnings only)

[Wagner Control Pro 350 Extra Skid](#) (Part no. 2371063)

[Wagner Control Pro 350 Extra Cart](#) (Part no. 2371067)

Wagner Part No. 0580071A

[Click here to see Control Pro 250/350 Spare Parts & Accessories](#)

Additional Information

Brands	Wagner
Equipment Type	Airless Sprayers
Machine Type	Electric 240V
Machine Model Number	Control Pro 350, Control Pro 250
OEM	Original Part

