



# Wagner 9885553 Control Pro 250/350 Return Hose Fitting

**\$9.60**  
**INCL. GST**

## Product Images



## Short Description

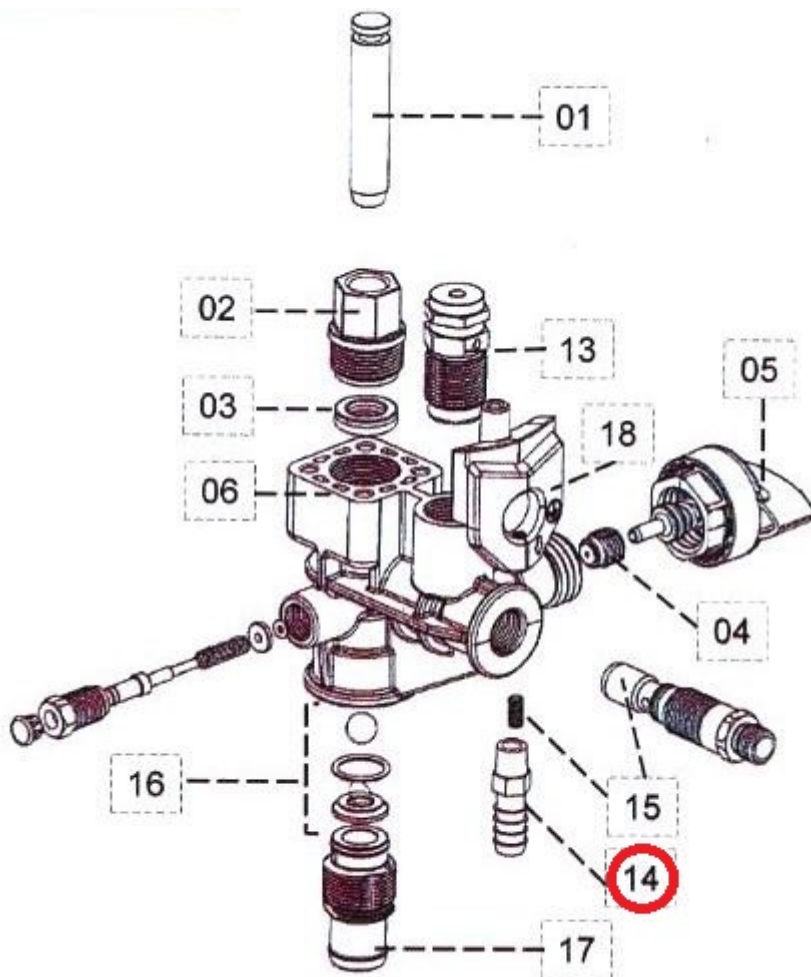
---

Wagner 9885553 Control Pro 250/350 Return Hose Fitting is used in both Control Pro 250 & 350 models. The return hose fitting is quite easily broken when trying to remove the return hose, keep a couple of spares in your tool box.

## Description

Wagner 9885553 Control Pro 250/350 Return Hose Fitting is used in both Control Pro 250 & 350 models. The return hose fitting is quite easily broken when trying to remove the return hose, keep a couple of spares in your tool box.

Avoid using thread tape when fitting this into the fluid section housing, use hydraulic sealant such as [BondLoc B577](#) on the threads to avoid leaks.



**Wagner 9885553 Control Pro 250/350 Return Hose Fitting is used with the following models -**

Wagner Control Pro 250M (Sold in Bunnings only)

Wagner Control Pro 350M (Sold in Bunnings only)

[Wagner Control Pro 350 Extra Skid](#) (Part no. 2371063)

[Wagner Control Pro 350 Extra Cart](#) (Part no. 2371067)

Wagner Part No. 9885553

---

[Click here to see Control Pro 250/350 Spare Parts & Accessories](#)

## Additional Information

---

Brands	Wagner
Equipment Type	Airless Sprayers
Machine Type	Electric 240V
Machine Model Number	Control Pro 350, Control Pro 250
OEM	Original Part

