



Graco 198931 Replacement Bearing Ball Sealed

\$19.25
INCL. GST

Product Images

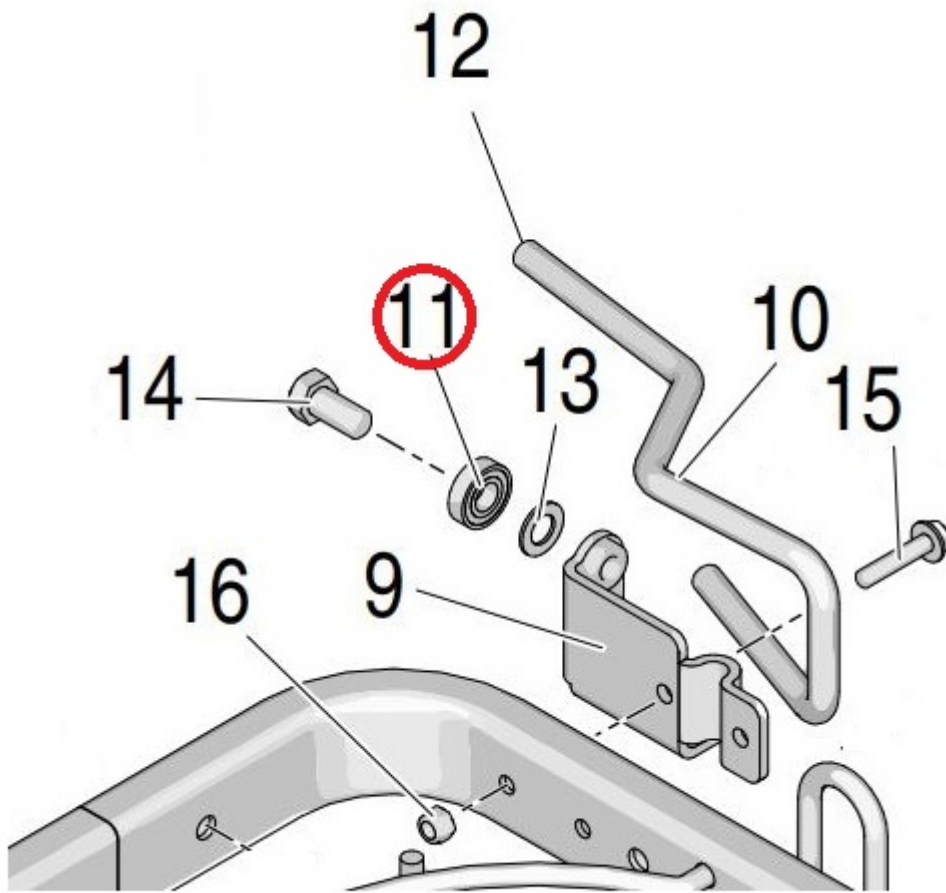


Short Description

Graco 198931 Replacement Bearing Ball Sealed for Graco LineLazer IV & LineLazer V line marking machines. Used in the foot brake assembly for all Graco LineLazer IV & LineLazer V push line marking machines.

Description

Graco 198931 Replacement Bearing Ball Sealed for Graco LineLazer IV & LineLazer V line marking machines. Used in the foot brake assembly for all Graco LineLazer IV & LineLazer V push line marking machines.



Graco LineLazer IV & V Foot Brake assembly uses the following items -

- Item 09 - 198891 Bracket
- Item 10 - 198930 Rod, brake
- Item 11 - 198931 Bearing
- Item 12 - 114808 Cap, vinyl orange
- Item 13 - 195134 Spacer, ball guide
- Item 14 - 113961 Screw cap, hex HD
- Item 15 - 112960 Screw
- Item 16 - 101566 Nut, lock
-

Atomex Part No. AX/G198-931

Replaces Graco Part No. 198931

[Visit our product download centre for manuals & spare parts](#)

Additional Information

Brands	Graco
Equipment Type	Line Marking Machines
Machine Type	Petrol, Battery
Machine Model Number	3400 LineLazer, 3900 LineLazer V, 5900 LineLazer V, 200HS LineLazer V, 250DC LineLazer V, ES1000 LineLazer V, ES2000 LineLazer V, 130HS LineLazer IV, 130HS LineLazer V, 3900 LineLazer IV, 5900 LineLazer IV, 200HS LineLazer IV
OEM	Aftermarket

