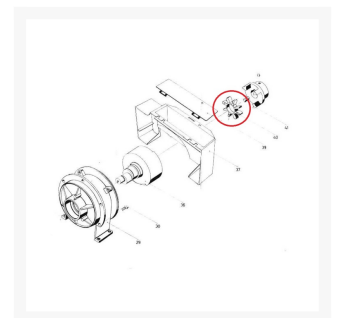




Wagner 9993806 Replacement Gear Rim Suit Wagner 207

\$61.60
INCL. GST

Product Images

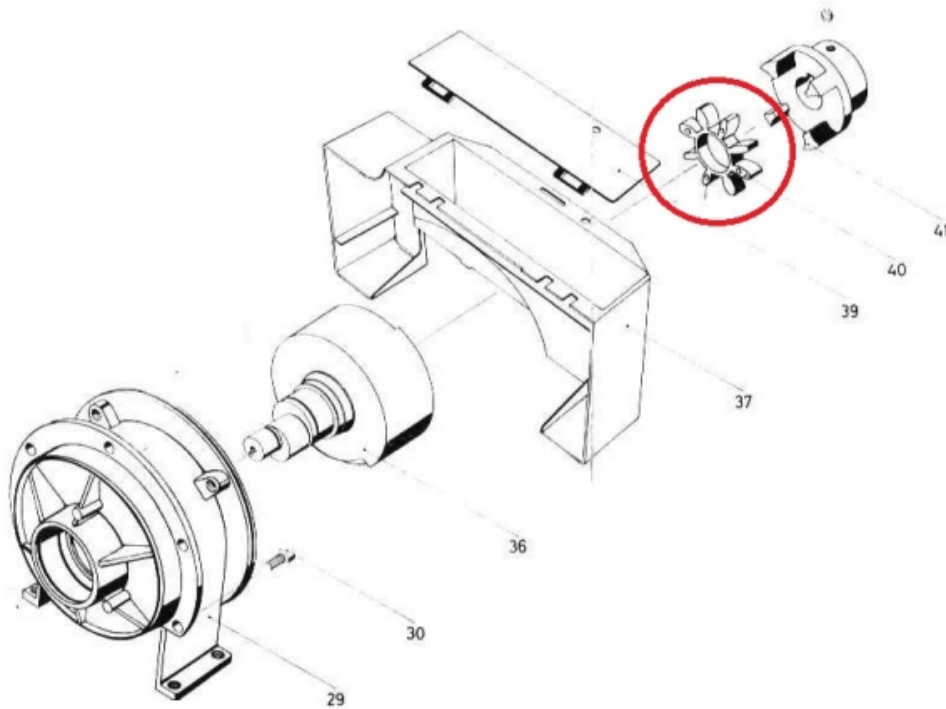


Short Description

Wagner 9993806 Gear Rim suits Wagner 205 & 207 diaphragm airless sprayers. Used in the coupling assembly between the electric motor and the gearbox.

Description

Wagner 9993806 Gear Rim suits Wagner 205 & 207 diaphragm airless sprayers. Used in the coupling assembly between the electric motor and the gearbox. The original gear rims were blue in colour but we have found the yellow gear rims seem to last longer.



Wagner 9993806 Gear Rim allows safe power transmission by absorbing peak loads and torsional vibrations. Moreover, the elastic design of the polyurethane gear rim compensates for angular and radial misalignments and also absorbs small shaft length variation.

Wagner 9993806 Replacement Gear Rim suits –

- Wagner F205
- Wagner F207

Atomex Part No. AX/W9993806

Replaces Wagner Part No. 9993806

[Visit our product download centre for manuals & spare parts](#)

Additional Information

Brands	Wagner
Equipment Type	Airless Sprayers
Machine Type	Electric 240V
Machine Model Number	F205, F207
OEM	Aftermarket

