



Graco 117441 Hydraulic Ball Valve

\$193.60
INCL. GST

Product Images

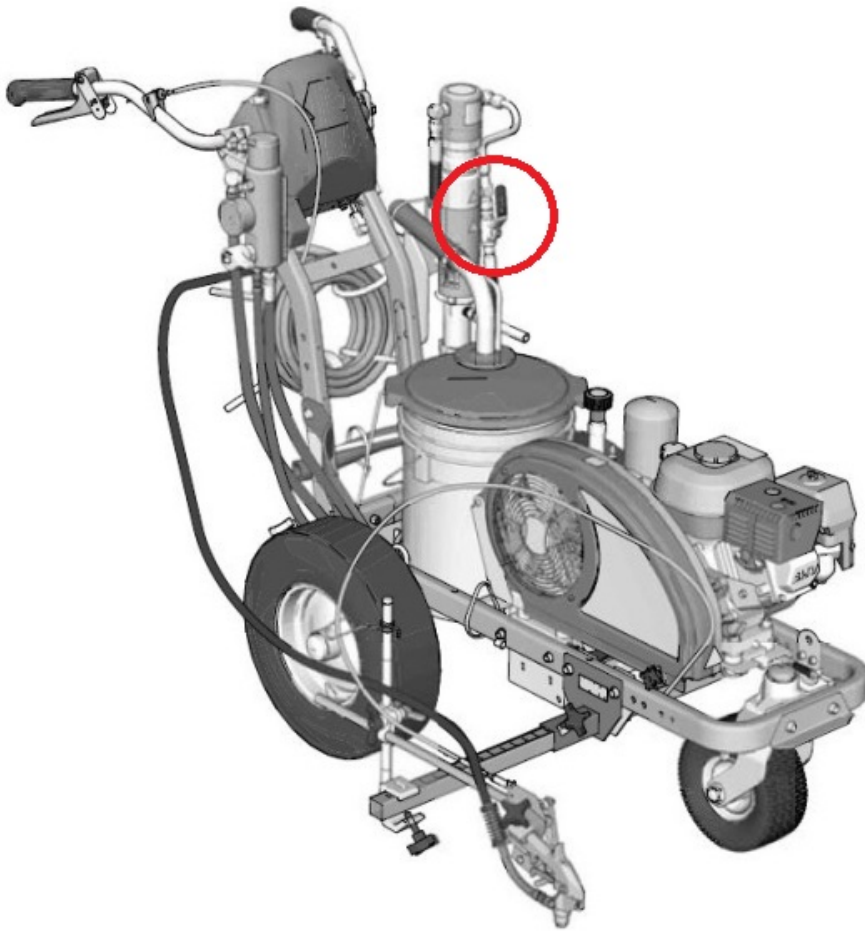


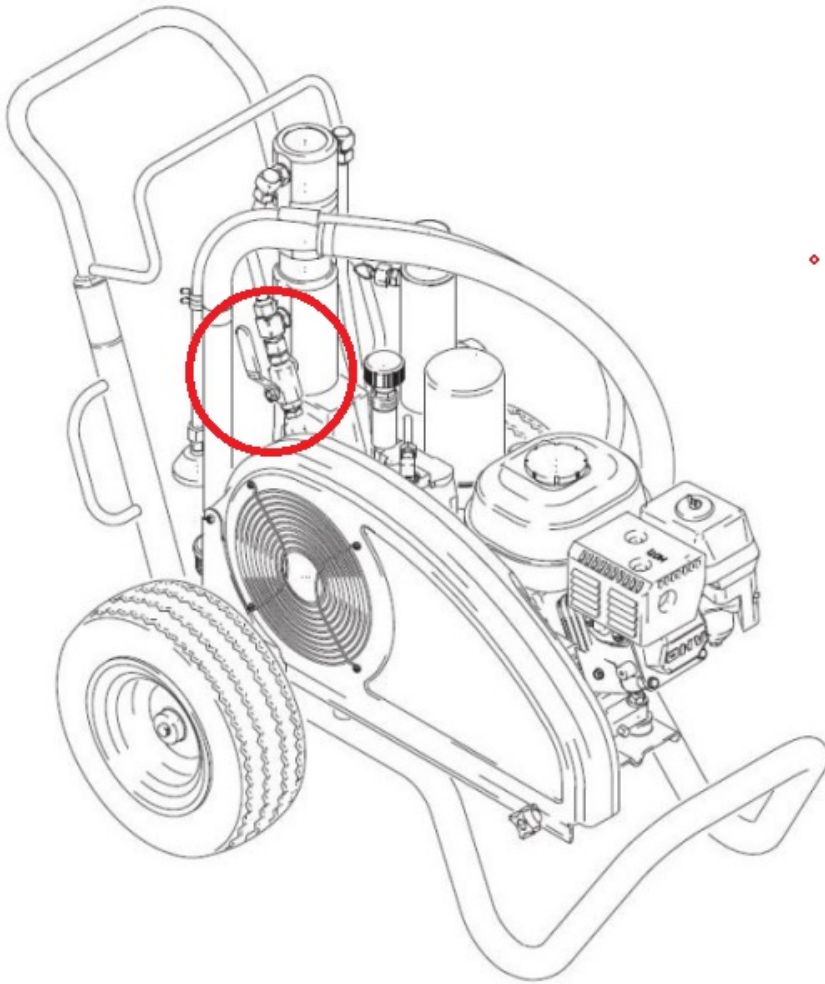
Short Description

Graco 117441 Hydraulic ball Valve for isolating hydraulic fluid to the motors on GH series petrol airless sprayers up to GH300 and HS Series LineLazer IV & V line marking machines.

Description

Graco 117441 Hydraulic ball Valve for isolating hydraulic fluid to the motors on GH series petrol airless sprayers up to GH300 and HS Series LineLazer IV & V line marking machines.





Graco 117441 Valve Ball will suit the following models -

- Graco 130HS LineLazer IV & V
- Graco 200HS LineLazer IV & V
- Graco 200DC LineLazer IV & V
- Graco 250SPS LineLazer IV & V
- Graco 250DC LineLazer IV & V
- Graco GH130 Petrol Airless Sprayer
- Graco GH200 Petrol Airless Sprayer
- Graco GH230 Petrol Airless Sprayer
- Graco GH300 Petrol Airless Sprayer

The Graco Hydraulic Motors used on the GH and HS series pumps are fitted with this ball valve to isolate hydraulic fluid to the motor, after a number of years these valves will start to weep or leak and should be replaced.

Please refer to the correct user manual for your model machine.

Graco Part No. 117441

[Visit our product download centre for manuals & spare parts](#)

Additional Information

Brands	Graco
Equipment Type	Airless Sprayers, Line Marking Machines
Machine Type	Petrol
Machine Model Number	GH130, GH200, GH230, GH300, 200HS LineLazer V, 250DC LineLazer V, 250SPS LineLazer V, 130HS LineLazer IV, 130HS LineLazer V, 200HS LineLazer IV, 250SPS LineLazer IV
OEM	Original Part

