



Binks AX85S Air Motor Assembly

Regular Price

\$2,461.80

Special Price

\$1,230.90

INCL. GST

Product Images



Short Description

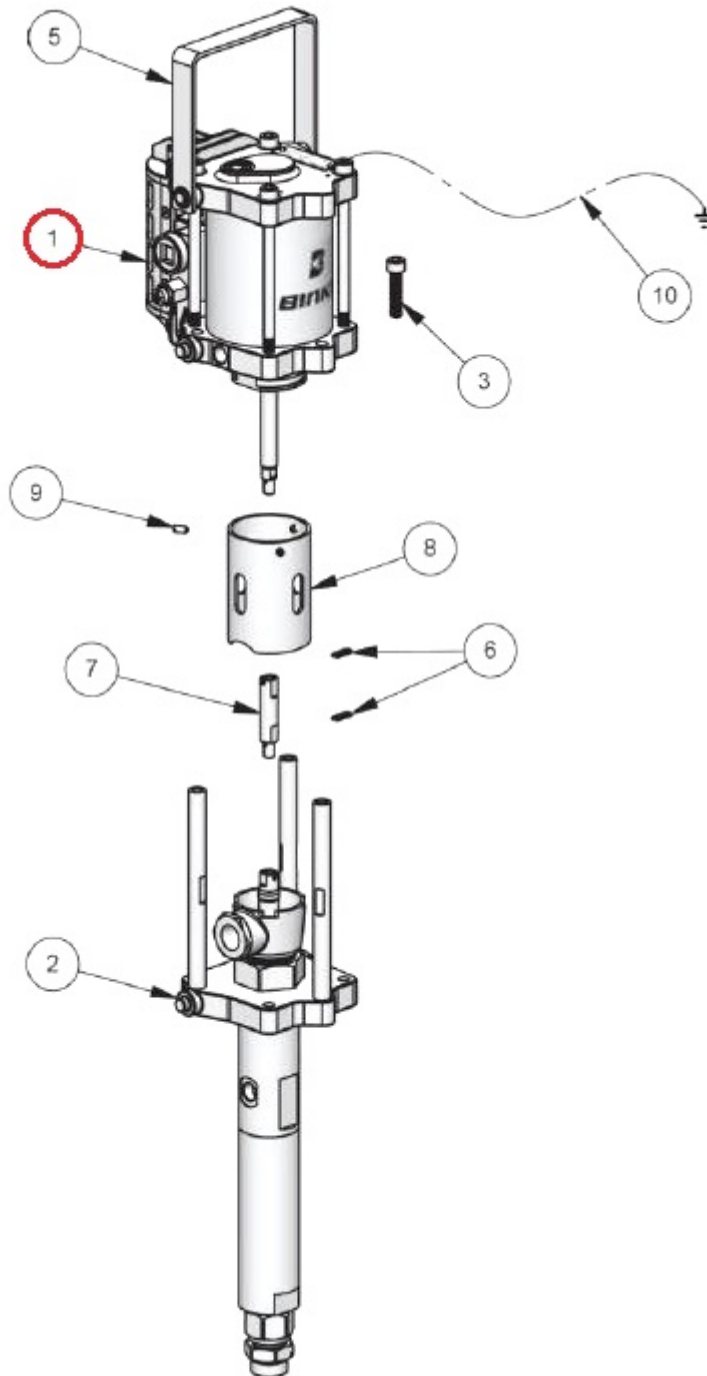
Binks AX85S Air Motor Assembly is used on the Binks MX432 & MXL432 airless sprayer models. Complete air motor assemblies are available in stock which can be used to swap out a worn air motor that requires service reducing production down time.

Description

Binks AX85S Air Motor Assembly is used on the Binks MX432 & MXL432 airless sprayer models. Air motor assembly does not include item 5 [0114-014351](#) Handle or any other fittings. These items can be purchased or swapped over from your existing air motor.

Binks AX85S Air Motor Assembly is used on the following models -

- Binks MX432 Airless Sprayer
- Binks MXL432 Airless Sprayer



Binks Part No. AX85S

[Click here to see the full range of Binks MXL432 spare parts](#)

Additional Information

Brands	Binks
Equipment Type	Airless Sprayers
Machine Type	Pneumatic
Machine Model Number	MX432, MXL432
OEM	Original Part

