



Binks 0114-014351 Handle AX85S Air Motor

\$31.90
INCL. GST

Product Images



Short Description

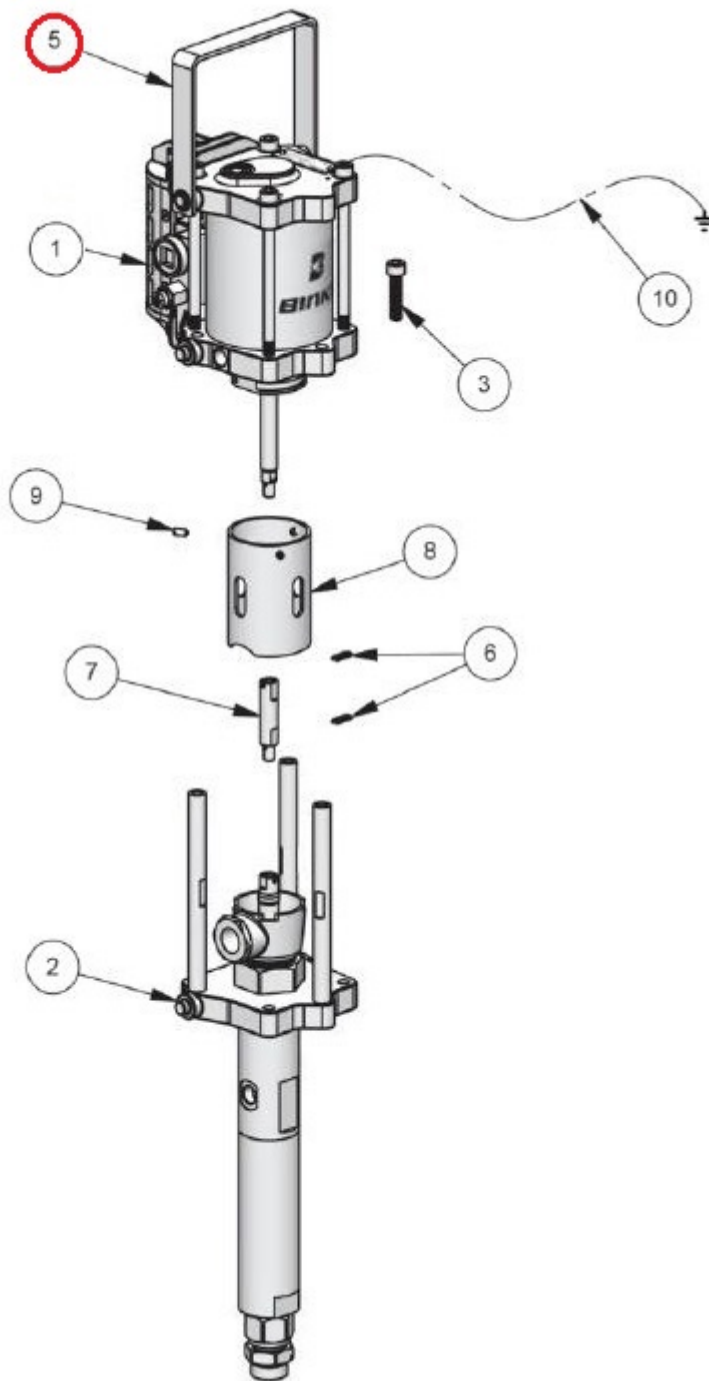
Binks 0114-014351 Handle AX85S Air Motor is used on Binks [AX85S](#) Air Motor with MX432 & MXL432 airless sprayers.

Description

Binks 0114-014351 Handle AX85S Air Motor is used on Binks AX85S Air Motor with MX432 & MXL432 airless sprayers.

Binks 0114-014351 Handle AX85S Air Motor is used on the following models -

- Binks MX432 Airless Sprayer
- Binks MXL432 Airless Sprayer



Binks Part No. 0114-014351

[Click here to see the full range of Binks MXL432 spare parts](#)

Additional Information

Brands	Binks
Equipment Type	Airless Sprayers
Machine Type	Pneumatic
Machine Model Number	MX432, MXL432
OEM	Original Part

