



# Binks 0115-010018 Valve Block End Cap

**\$12.87**  
**INCL. GST**

## Product Images



## Short Description

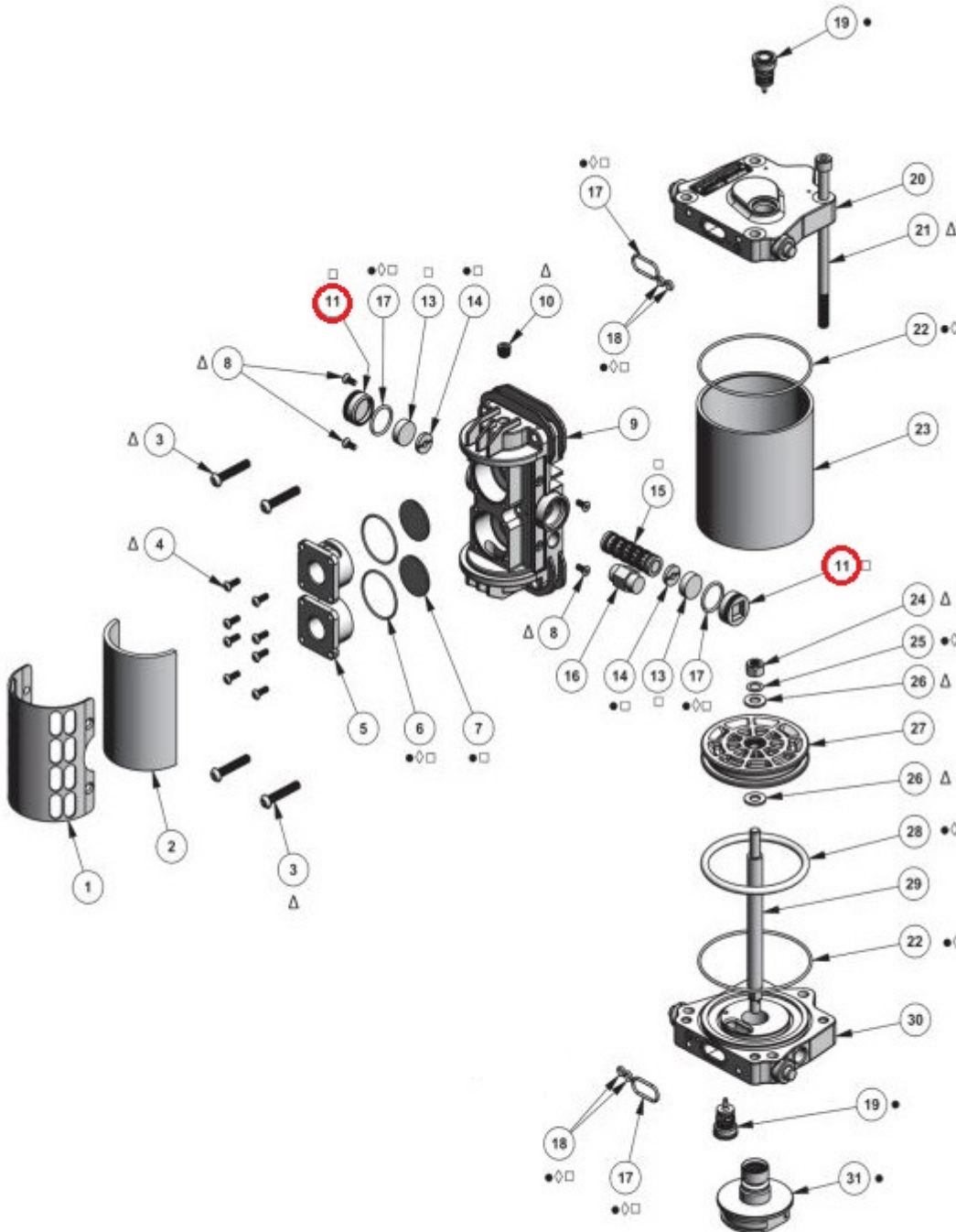
Binks 0115-010018 Valve Block End Cap is used on Binks AX85S Air Motor with MX432 & MXL432 airless sprayers. Valve block end cap does not include 0115-010049 o-ring.

## Description

Binks 0115-010018 Valve Block End Cap is used on Binks AX85S Air Motor with MX432 & MXL432 airless sprayers. Valve block end cap does not include 0115-010049 o-ring.

**Binks 0115-010018 Valve Block End Cap is used on the following models -**

- Binks MX432 Airless Sprayer
- Binks MXL432 Airless Sprayer



- Parts are included in 0115-010215 AX85 Repair Kit.
- ◊ Parts are included in 0115-010217 AX85 Seal Kit.
- Parts are included in 0115-010226 Air Motor Valve Repair Kit.

[Click here to see the full range of Binks MXL432 spare parts](#)

## Additional Information

---

Brands	Binks
Equipment Type	Airless Sprayers
Machine Type	Pneumatic
Machine Model Number	MX432, MXL432
OEM	Original Part

