



Binks 0114-016100 Pump Lube Water Based 250ml

Regular Price

\$123.75 Special Price

\$111.37

INCL. GST

Product Images



Short Description

Binks 0114-016100 Pump Lube Water Based 250ml is designed for use with Binks MX432 & MXL432 when spraying water based materials.

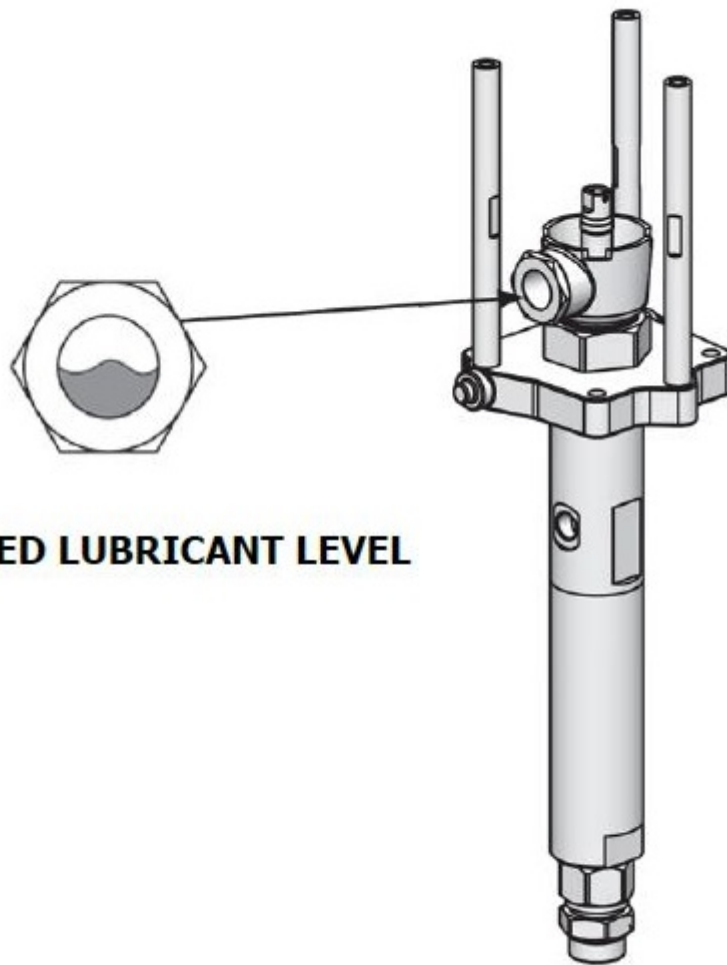
Description

Binks 0114-016100 Pump Lube Water Based 250ml is designed for use with Binks MX432 & MXL432 when spraying water based materials.

Pump lube is designed to lubricate the piston rod and emulsify with any paint product that sticks to the piston rod. Using a specific water based piston lube will stop contamination of your paint product.

Binks 0114-016100 Pump Lube is used on the following models -

- Binks MX432 Airless Sprayer
- Binks MXL432 Airless Sprayer



RECOMMENDED LUBRICANT LEVEL

Binks Pump Lube is available in solvent based [0114-016099](#)

Binks Part No. 0114-016100

[Click here to see the full range of Binks MXL432 spare parts](#)

Additional Information

Brands	Binks
Equipment Type	Airless Sprayers
Machine Type	Pneumatic
Machine Model Number	MX432, MXL432
OEM	Original Part

