



Binks 0115-010661 Guard (MX432/MXL432)

\$45.65
INCL. GST

Product Images



Short Description

Binks 0115-010661 Guard suits both MX432 & MXL432 pneumatic airless sprayers. Pump guard is designed to reduce over spray and contamination from entering the wet cup and it also prevents accidental injury from the movement of the pump rod.

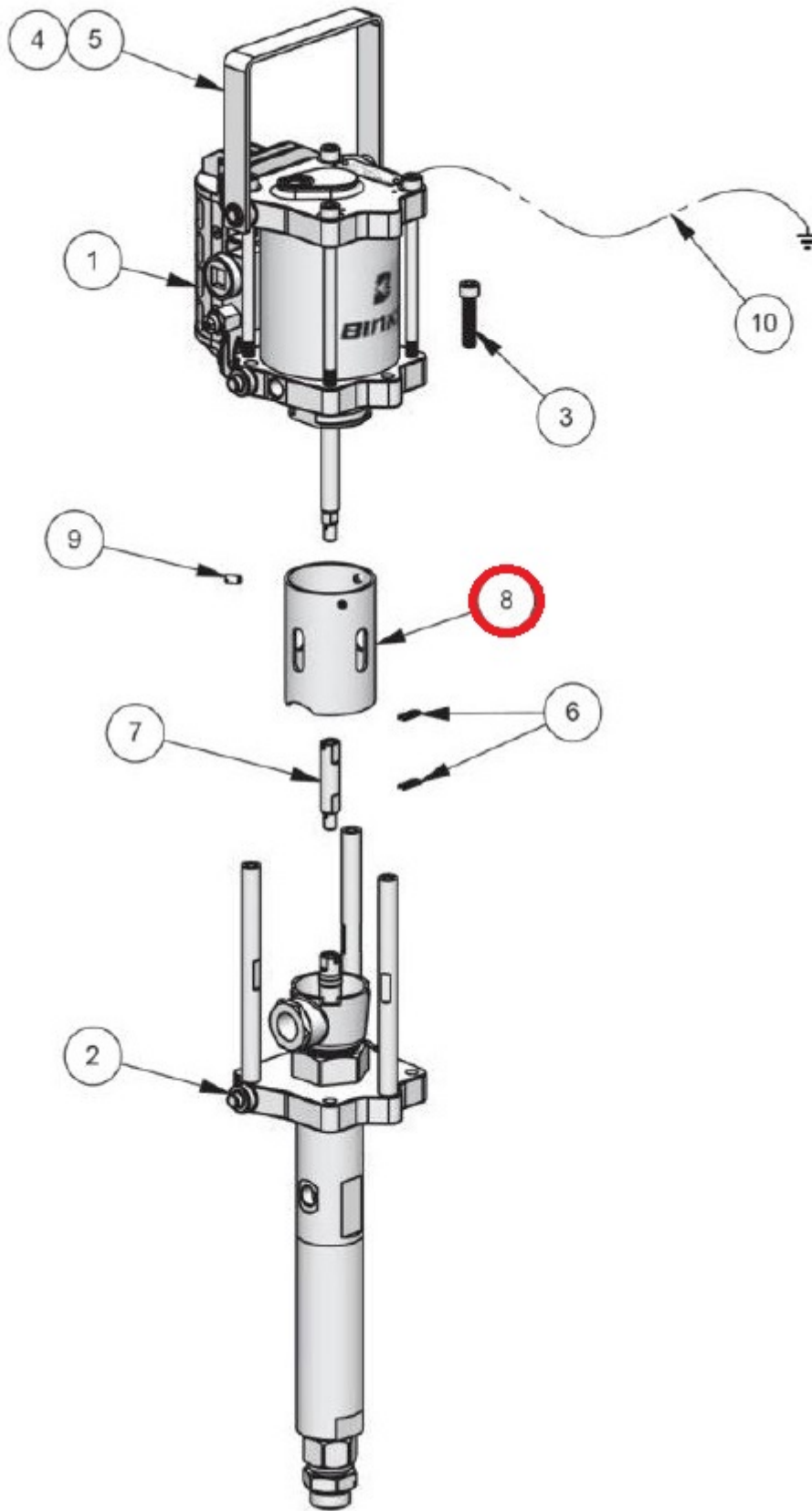
Description

Binks 0115-010661 Guard suits both MX432 & MXL432 pneumatic airless sprayers. Pump guard is designed to reduce over spray and contamination from entering the wet cup and it also prevents accidental injury from the movement of the pump rod.

Binks 0115-010661 Guard does not include 3 x [166001](#) Slotted Set Screws.

Binks 0115-010661 Guard is used on the following models -

- Binks MX432 Airless Sprayer
- Binks MXL432 Airless Sprayer



Binks Part No. 0115-010661

[Click here to see the full range of Binks MXL432 spare parts](https://airless.com.au/binks-0115-010661-guard-mxl432-mxl432.html)

Additional Information

Brands	Binks
Equipment Type	Airless Sprayers
Machine Type	Pneumatic
Machine Model Number	MX432, MXL432
OEM	Original Part

