



Binks 166001 Slotted Set Screw

\$2.04
INCL. GST

Product Images



Short Description

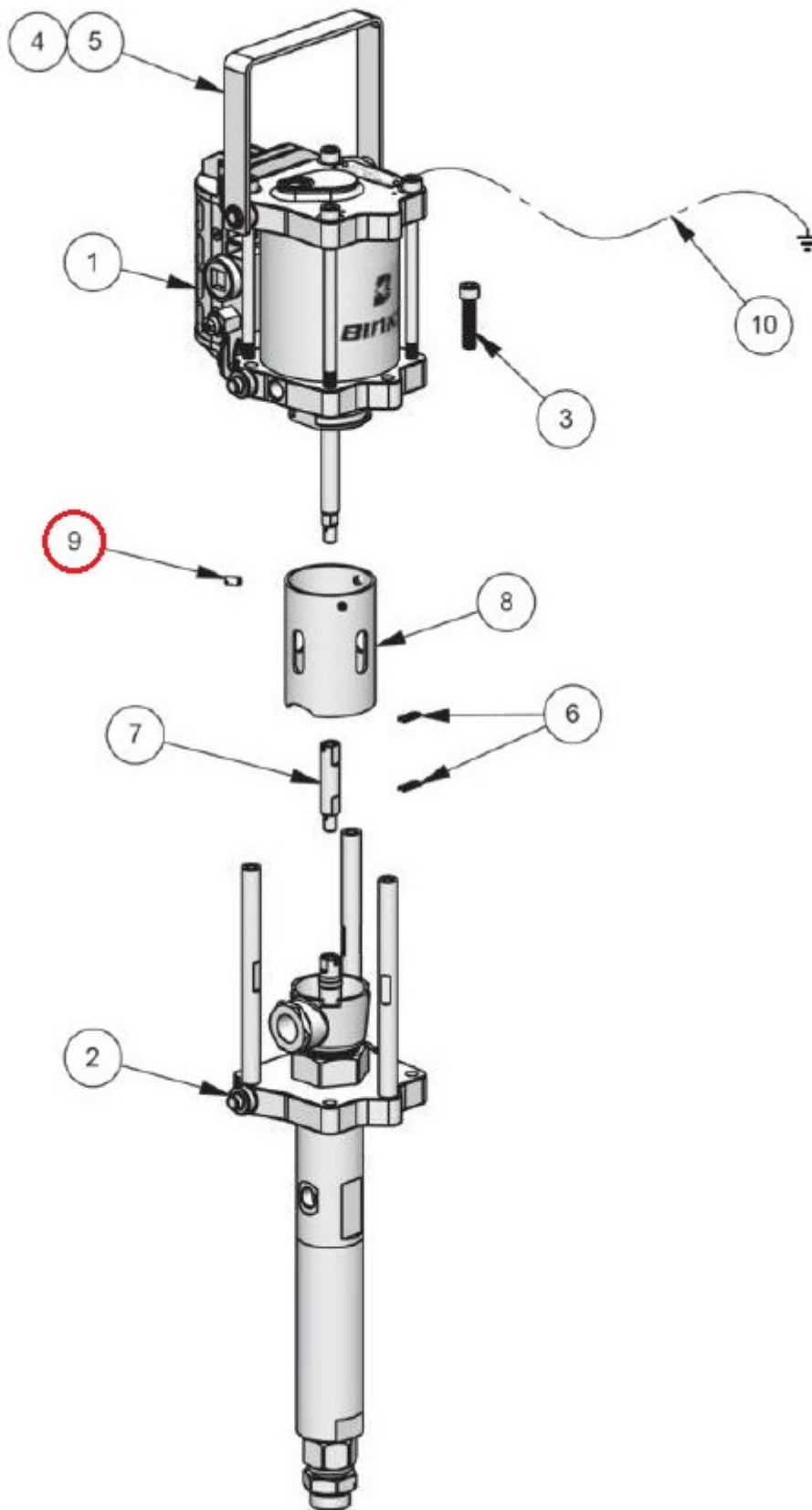
Binks 166001 Slotted Set Screw suits both MX432 & MXL432 pneumatic airless sprayers. Three slotted screws are required and are designed to fit into the 0115-010661 guard each sold individually.

Description

Binks 166001 Slotted Set Screw suits both MX432 & MXL432 pneumatic airless sprayers. Three slotted screws are required and are designed to fit into the [0115-010661](#) guard each sold individually.

Binks 166001 Slotted Set Screw is used on the following models -

- Binks MX432 Airless Sprayer
- Binks MXL432 Airless Sprayer



Binks Part No. 166001

[Click here to see the full range of Binks MXL432 spare parts](https://airless.com.au/binks-166001-slotted-set-screw.html)

Additional Information

Brands	Binks
Equipment Type	Airless Sprayers
Machine Type	Pneumatic
Machine Model Number	MX432, MXL432
OEM	Original Part

