



# Binks 0115-010001 Socket Head Cap Screw

**\$6.57**  
**INCL. GST**

## Product Images



## Short Description

Binks 0115-010001 Socket Head Cap Screw suits both MX432 & MXL432 pneumatic airless sprayers. Three socket head cap screws are required each sold individually.

## Description

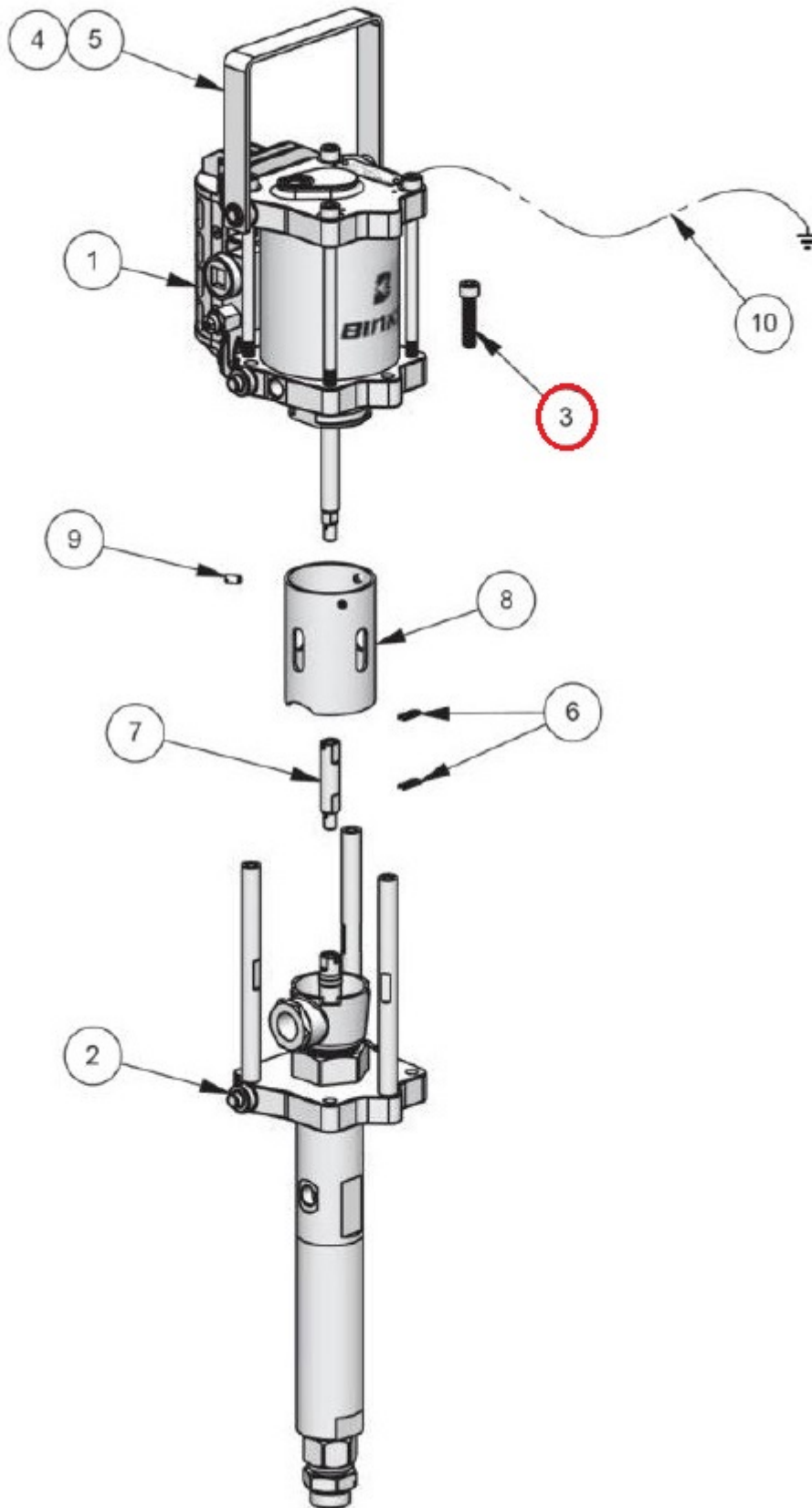
---

Binks 0115-010001 Socket Head Cap Screw suits both MX432 & MXL432 pneumatic airless sprayers. Three socket head cap screws are required each sold individually.

Binks 0115-010001 Socket Head Cap Screw is available in [0115-010213](#) AX85 Air Motor Hardware Kit.

**Binks 0115-010001 Socket Head Cap Screw is used on the following models -**

- Binks MX432 Airless Sprayer
- Binks MXL432 Airless Sprayer



Binks Part No. 0115-010001

[Click here to see the full range of Binks MXL432 spare parts](#)

## Additional Information

---

Brands	Binks
Equipment Type	Airless Sprayers
Machine Type	Pneumatic
Machine Model Number	MX432, MXL432
OEM	Original Part

