



Binks DXK-204 Shaft & Seal Kit

\$196.29
INCL. GST

Product Images



Short Description

Binks DXK-204 Shaft & Seal Kit suits Binks DX200 Double Diaphragm Pumps. Includes centre shaft, shaft seals and DXK-205 End Cap Seal Kit.

Description

Binks DXK-204 Shaft & Seal Kit suits Binks DX200 Double Diaphragm Pumps. Includes centre shaft, shaft seals and DXK-205 End Cap Seal Kit.

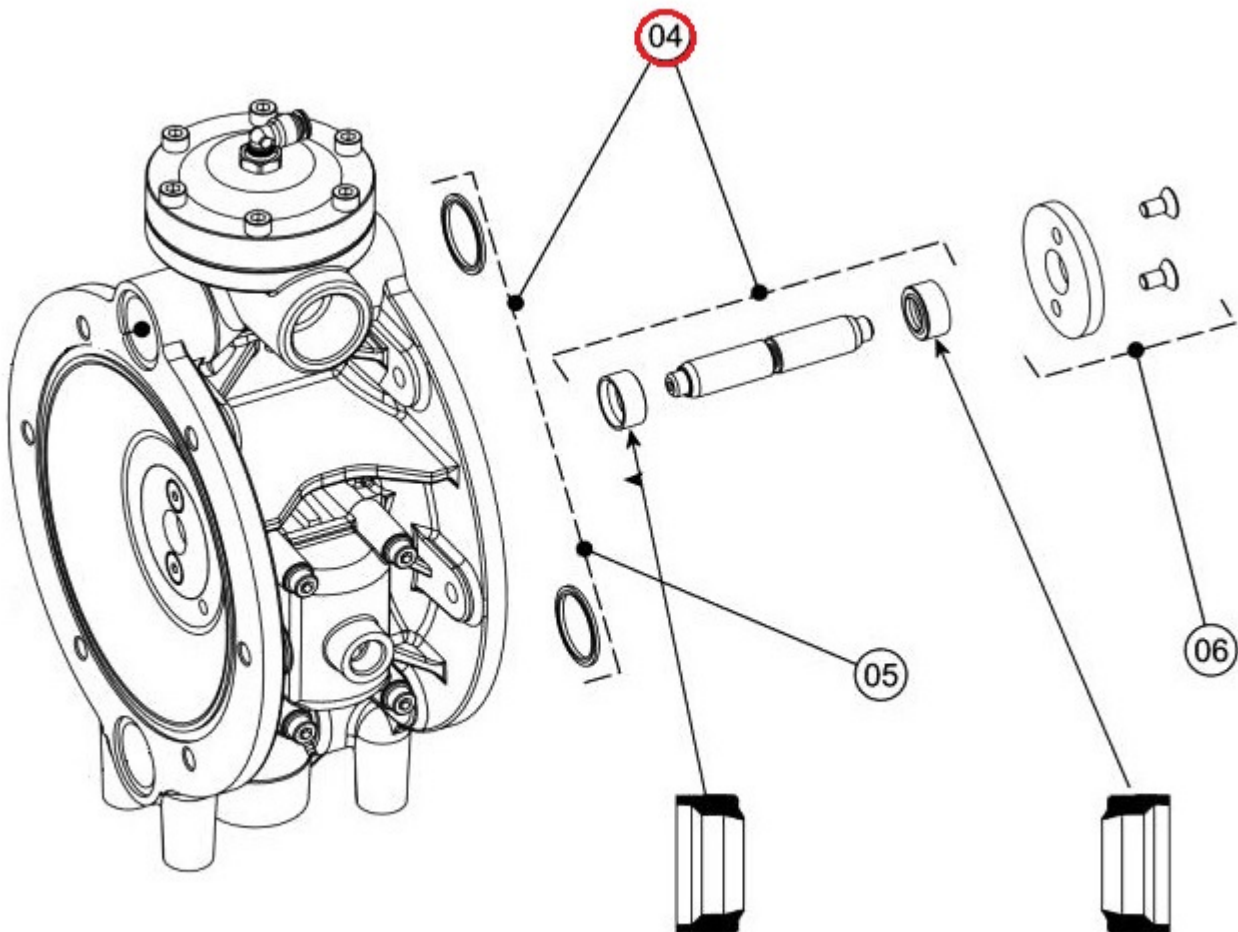
Ensure shaft seals are fitted correctly, please refer to instruction manual.

Binks DXK-204 Shaft & Seal Kit suits the following models -

- Binks DX200AR
- Binks DX200AN
- Binks DX200ANB
- Binks DX200AM

Binks DXK-204 Shaft & Seal Kit includes the following items -

- Item 04 - XXX-XXX Air motor shaft (1)
- Item 04 - XXX-XXX Shaft seals (2)
- Item 04 - DXK-205 End cap seals (4)



Binks Part No. DXK-204

[Click here to see the full range of Binks DX200 spare Parts](#)

Additional Information

Brands	Binks
Equipment Type	Double Diaphragm Pumps
Machine Type	Pneumatic
Machine Model Number	DX200
OEM	Original Part

